



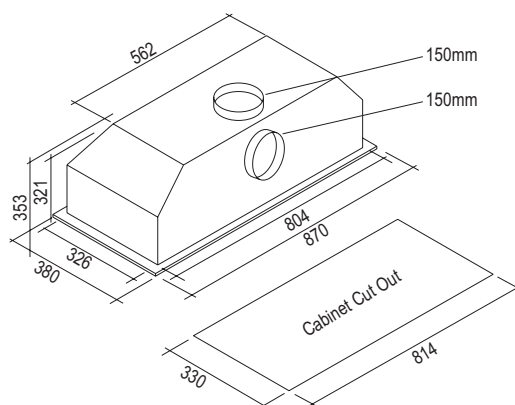
Product Features

<b>Motor Type</b>	On Board
<b>Cooking Coverage</b>	Suits 75cm - 100cm Cooking Surfaces
<b>Filtration Type</b>	Baffle Filters x 2
<b>Lighting</b>	LED 4 x 1.2 W (3200 K)
<b>Finish</b>	AISI304 Scotch Brite Stainless
<b>Controls</b>	Touch Control (Remote Control Optional)
<b>Speed Settings</b>	3 Speed + Boost
<b>Timer Functions</b>	15min Auto Shut-Off
<b>Ducting</b>	150mm Circular Outlet
<b>Hood Width</b>	870mm
<b>Hood Depth</b>	380mm
<b>Hood Height</b>	353mm (Inc. Outlet)

Filtration Zone



Dimensioned Drawing



Model Code	Motor Output	Installation Option
F3SND90S1	950 m <sup>3</sup> /hr	Top or Back Ducted