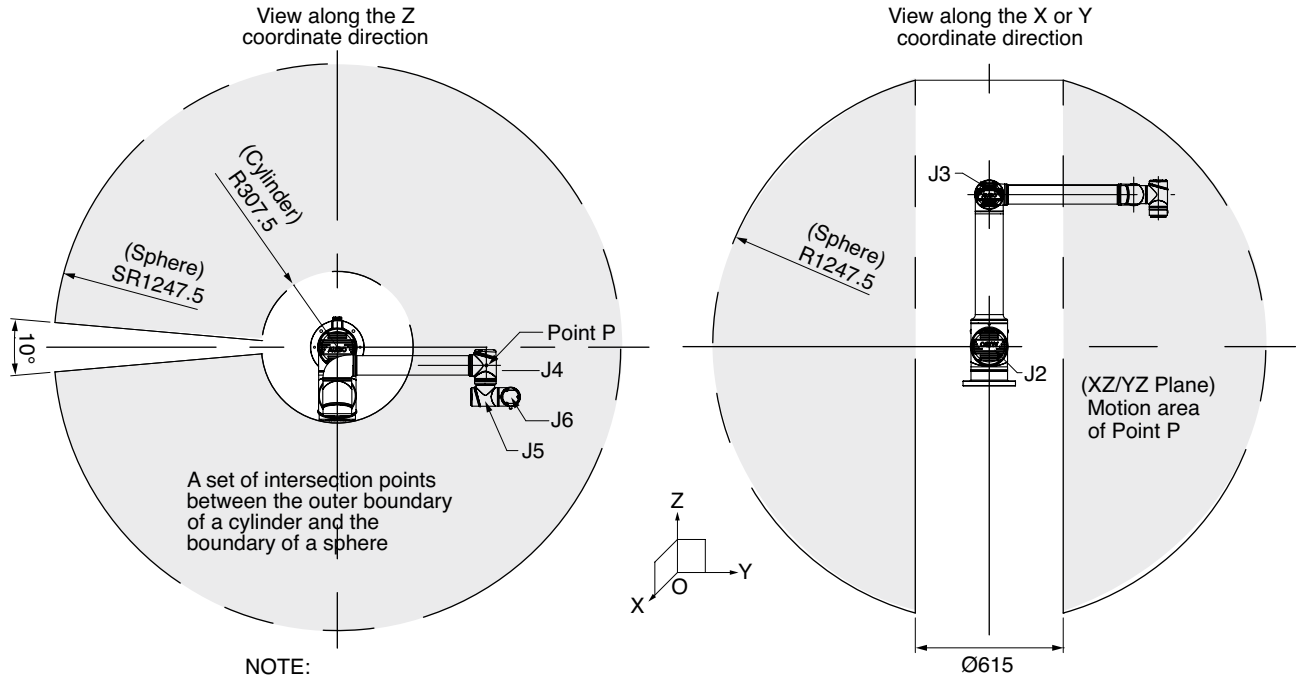


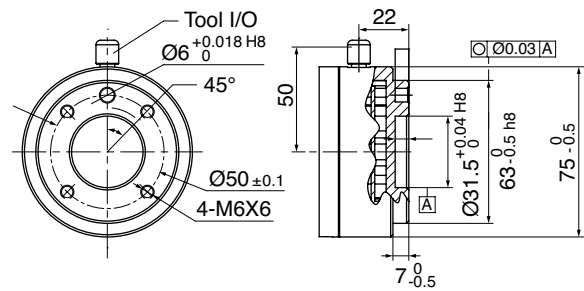
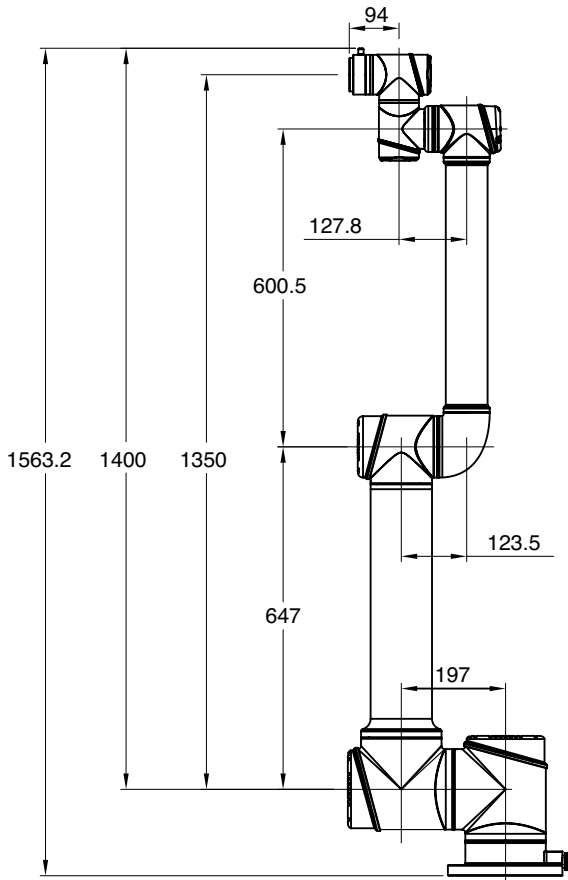
AUBO-i10 Collaborative Robot (Co-Bot)

Work Envelope-Range of Motion of the Point P

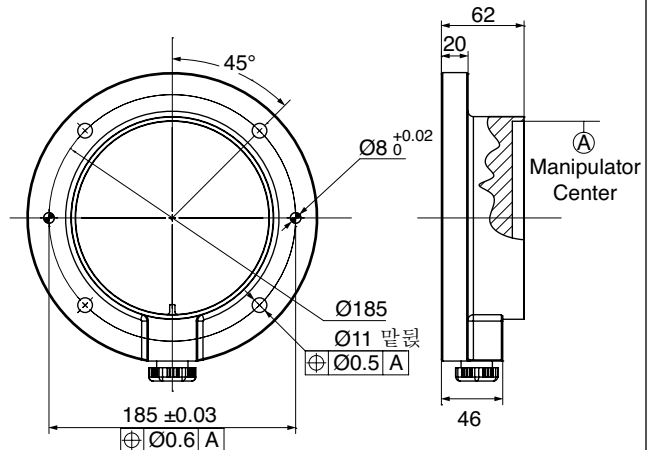


NOTE:

1. Double dotted line means regional boundaries
2. The trajectory of Point P may exceed the space area which contained by the double dotted line



Wrist with Mounting Flange
DIN ISO-9409-1-50-4



Base

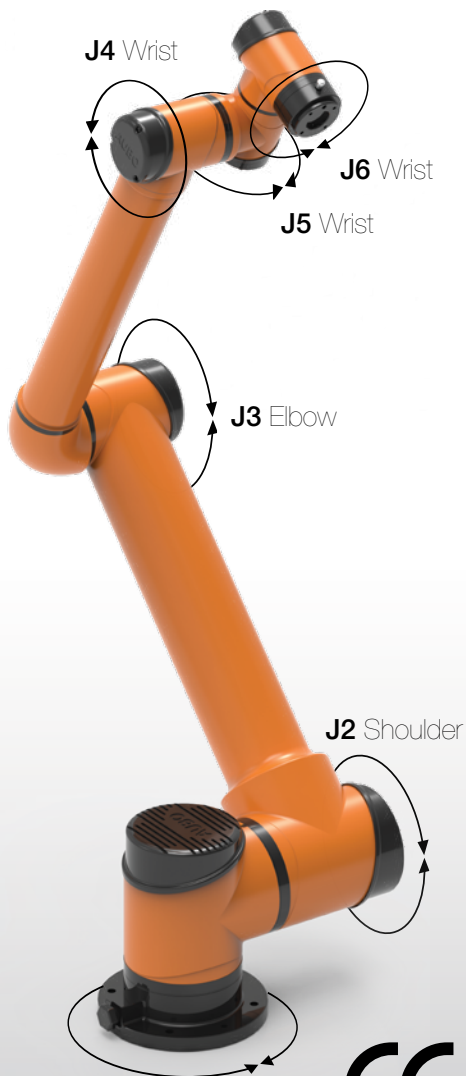


AUBO-i10

6 axis

10kg payload

1350mm reach



ROBOT SPECIFICATIONS

Degrees of Freedom	6 axes
Reach	1350 mm
Payload	10 Kg
Weight	37 Kg
Lifetime	30000 h
Collaboration	Collaborative operation according to ISO 10218-1 :2001
Repeatability	+/- 0.05 mm
Linear Velocity	≤ 4.0 m/s
Power Consumption	500 W (under normal working conditions)
Materials	Aluminum, Steel, Plastic
Ambient Humidity	25% - 85%
Ambient Temperature	0 - 45° C
IP Classification	IP54
Programming	Teach pendant with user interface
Communication	CAN bus
Motor Type	DC 48 V
Installation Orientation	Any Ceiling, Floor, Wall

AXIS MOVEMENT

J1 axis rotation base	(+/-) 175°	180°/sec
J2 axis rotation shoulder	(+/-) 175°	180°/sec
J3 axis rotation elbow	(+/-) 175°	150°/sec
J4 axis wrist rotation	(+/-) 175°	180°/sec
J5 axis wrist swing	(+/-) 175°	180°/sec
J6 axis wrist rotation	(+/-) 175°	180°/sec

WORKING RANGE

MAXIMUM SPEED

I/O PORT ON WRIST

Voltage	Current	Digital In	Digital out	Analog In	Analog Out
0/12/24 V	0.8 A	4	4	2	0

CONTROL BOX

Dimensions (LxWxH)	727x623x235 mm
Weight	20 Kg
Cabling	5 mm
Color	Black
Communication	Ethernet, Modbus - RTU/TCP
Interface	SDK (supports C/C++/Lua/Python) Supports ROS, API
Power supply	100 - 240 VAC, 50 - 60 Hz
IP Classification	IP54



I/O PORTS

	General I/O	Safety I/O
Digital in	16	16
Digital out	16	16
Analog In	4	-
Analog out	4	-
Power input	24 V	
Power output	3 A	

TEACH PENDANT

Dimensions (LxWxH)	355x235x54 mm
Weight	1.8 Kg
Display Screen	30 cm Touch LCD Screen
Cabling	4 m
IP Classification	IP54
Color	Orange

