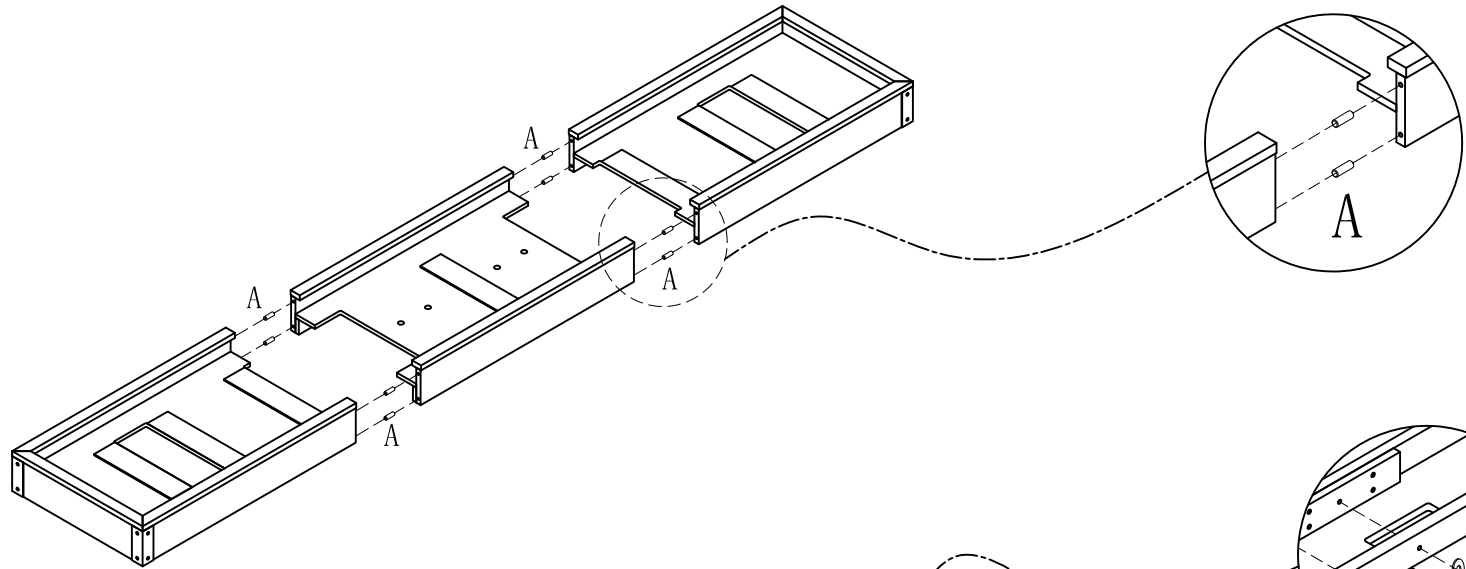


# AMERICAN HERITAGE-LEONARDO SHUFFLEBOARD TABLE-12'

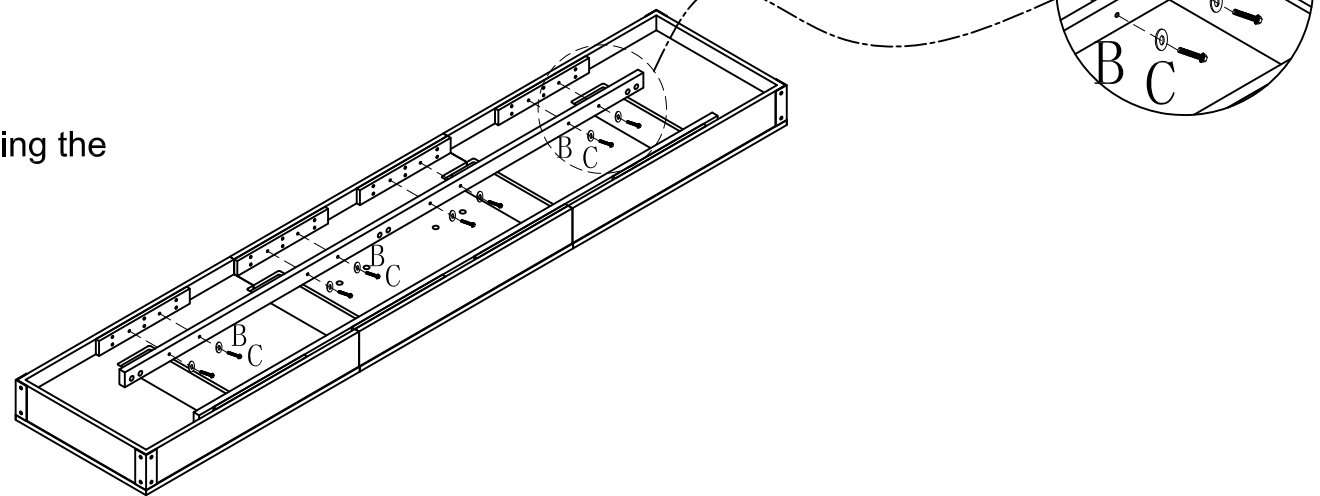
## Assembly Instruction




1/4

Step 1:Lay 3 of cabinet pieces upside down on a **clean** surface and connect them by using the Dowels(A)



Step 2:Attach the beams to the cabinet using the Washer(B) and Bolt(C)



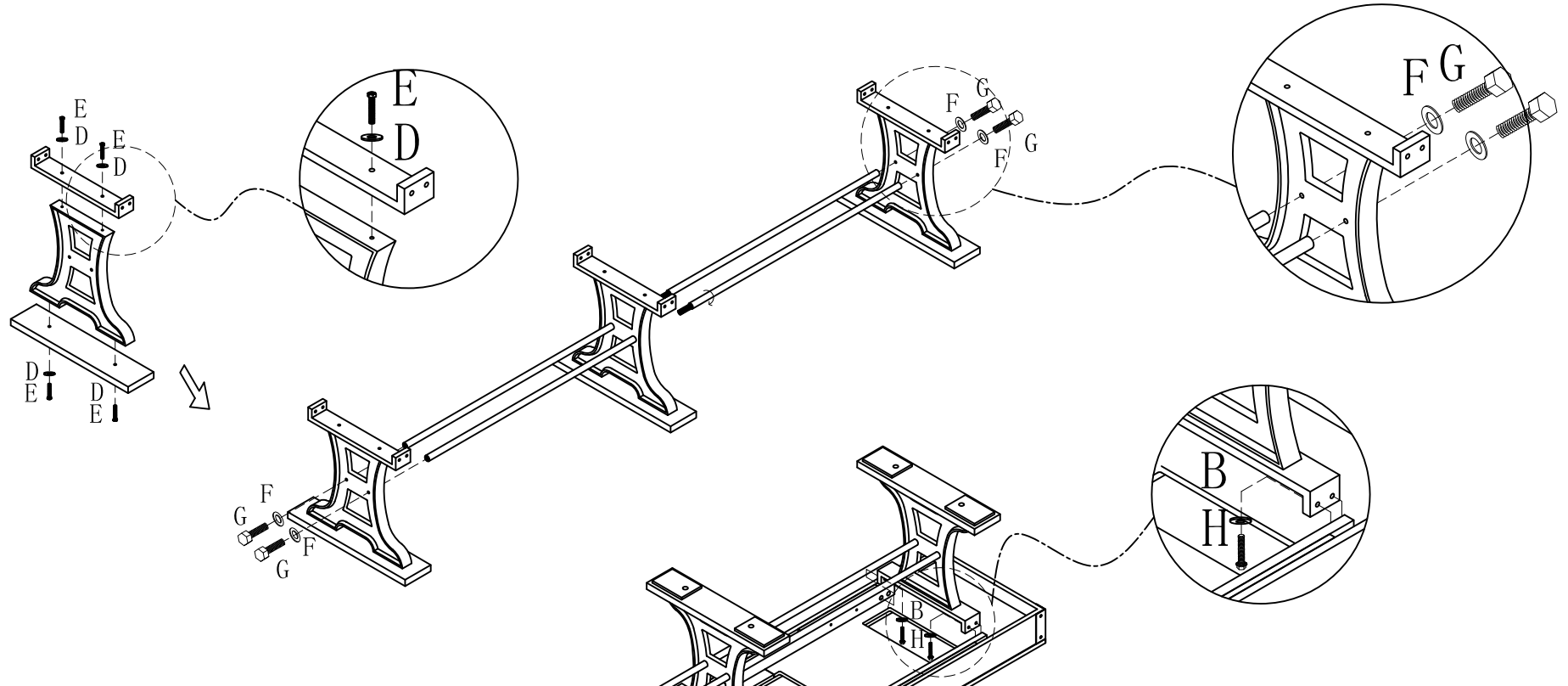
NO	NAME	SIZE	PCS	DRAW
A	DOWEL	φ10mmx30mm	8	
B	WASHER	φ5/16" x φ3/4" X2mm	16	
C	FLANG BLOT	φ5/16" x2"	16	

# AMERICAN HERITAGE-LEONARDO SHUFFLEBOARD TABLE-12'

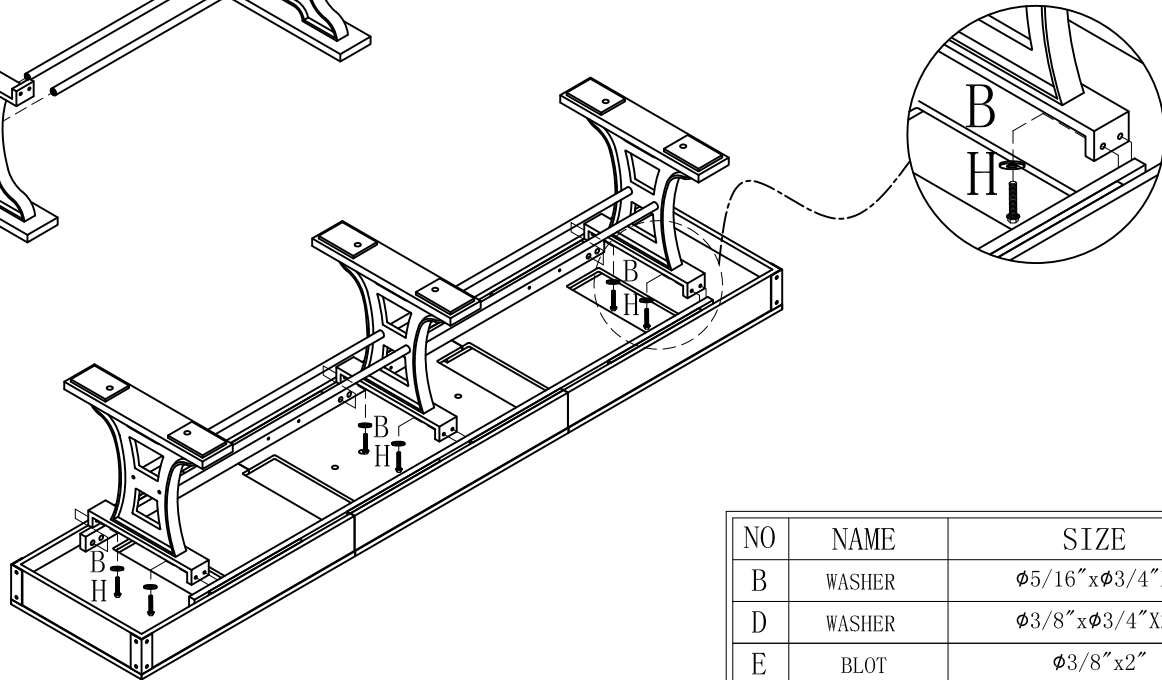
## Assembly Instruction






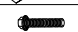
2/4

Step 3: Pre-assemble each metal leg using Washer(D) and Bolt(E) and attach the metal rod on the legs using Washer(F) and Bolt(G)



Step 4: Attach the legs to the cabinet beams using Washer(B) and Bolt(H)



NO	NAME	SIZE	PCS	DRAW
B	WASHER	$\phi 5/16'' \times \phi 3/4'' \times 2\text{mm}$	12	
D	WASHER	$\phi 3/8'' \times \phi 3/4'' \times 2\text{mm}$	12	
E	BLOT	$\phi 3/8'' \times 2''$	12	
F	WASHER	$\phi 3/4'' \times \phi 2'' \times 2\text{mm}$	4	
G	BLOT	$\phi 3/4'' \times 1''$	4	
H	FLANG BLOT	$\phi 5/16'' \times 2-1/4''$	12	

# AMERICAN HERITAGE-LEONARDO SHUFFLEBOARD TABLE-12'

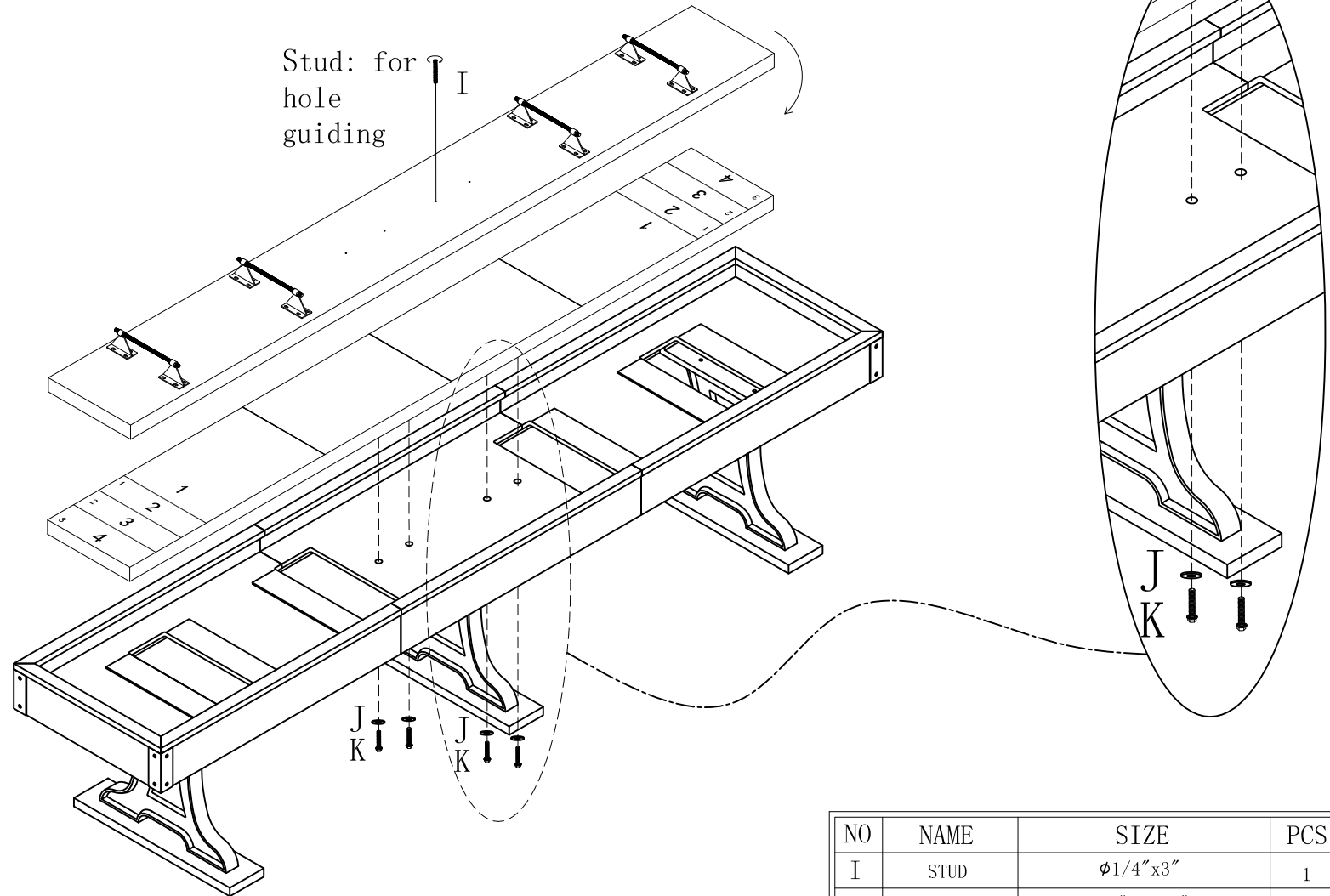
## Assembly Instruction




3/4

Step 5: Using 2 or more strong adults, carefully turn the cabinet right side up

Step 6: Using 2 or more strong adults, carefully place the playfield in the cabinet and center it by measuring the distance from the playfield to the cabinet on all four sides

Step 7: Secure the playfield to the cabinet using Washer(J) and Bolt(K)



NO	NAME	SIZE	PCS	DRAW
I	STUD	ϕ1/4" x 3"	1	
J	WASHER	ϕ1/4" x ϕ5/8" X 2mm	4	
K	FLANG BLOT	ϕ1/4" x 2"	4	

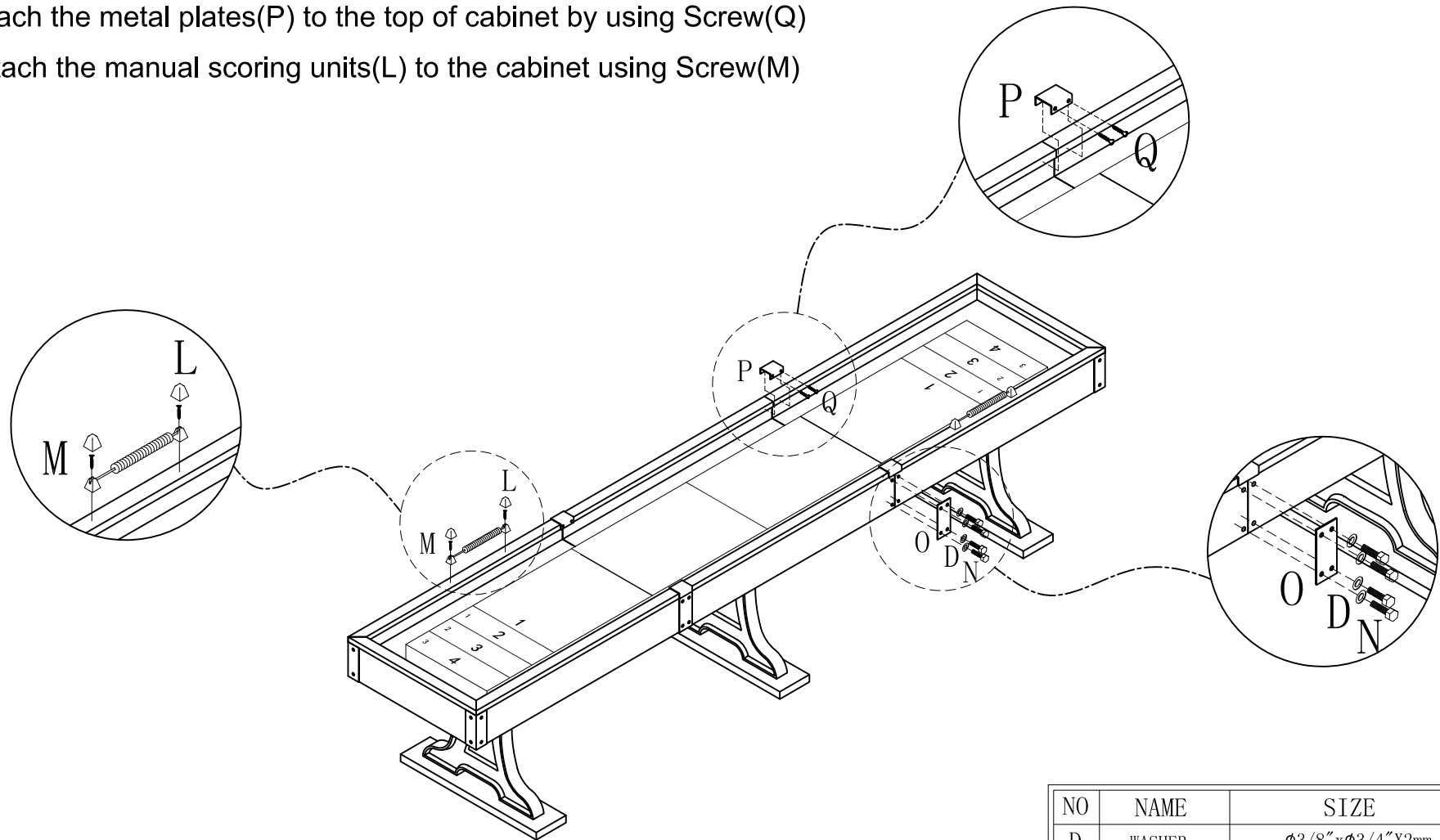
# AMERICAN HERITAGE-LEONARDO SHUFFLEBOARD TABLE-12'


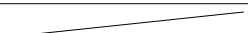

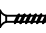



## Assembly Instruction

4/4

Step 8: Attach the metal plates(O) to the cabinet side by using Washer(D) and Bolt(N), attach the metal plates(P) to the top of cabinet by using Screw(Q)

Step 9: Attach the manual scoring units(L) to the cabinet using Screw(M)



NO	NAME	SIZE	PCS	DRAW
D	WASHER	$\phi 3/8'' \times \phi 3/4'' \times 2\text{mm}$	16	
L	SCORE UNIT		2	
M	SCREW	#6X1"	4	
N	BLOT	$\phi 3/8'' \times 3/4''$	16	
O	METAL	7" x 3" x 1/8"	4	
P	METAL	3" x 2-13/32" x 1-1/8"	4	
Q	SCREW	#8X3/4"	8	