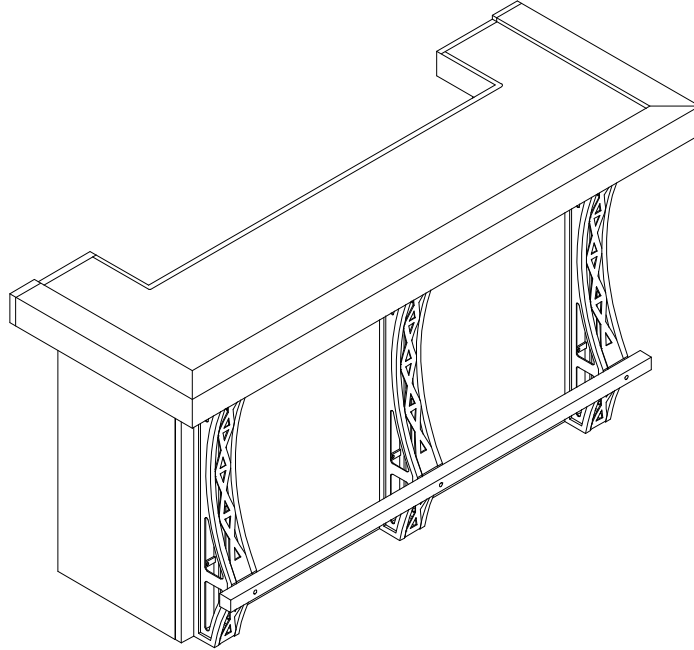




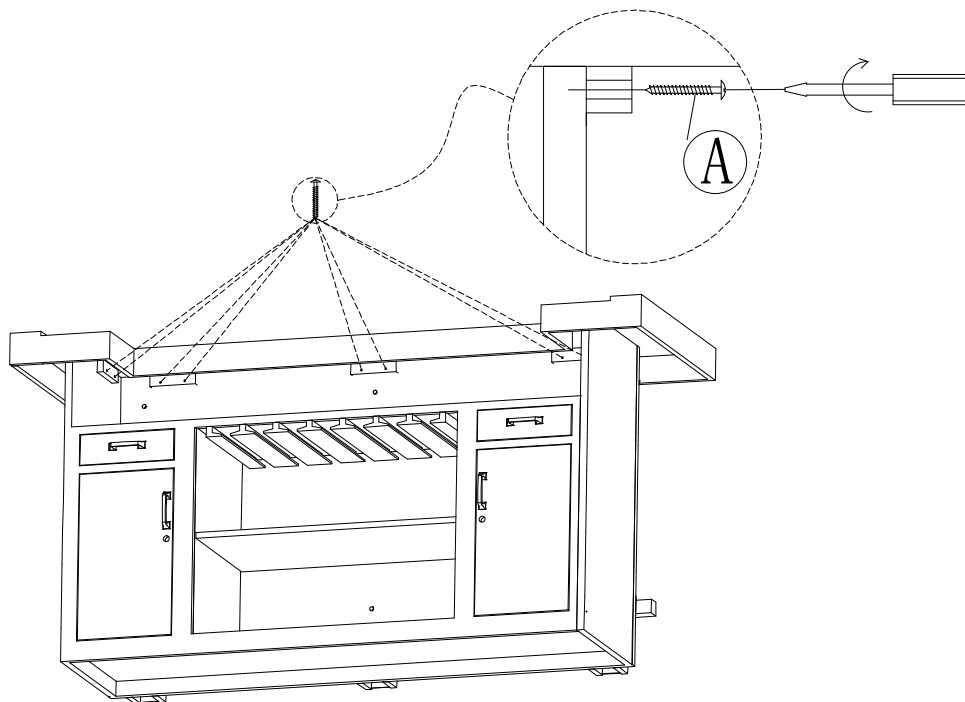
# AHB

## HOME FURNITURE COLLECTIONS ASSEMBLY INSTRUCTION

### BLACKSMITH BAR



|   | HARDWARE LIST      | QTY | OUTLOOK   |
|---|--------------------|-----|---|
| A | SCREW (∅ 8*1-1/4") | 10  |  |
| B | CUP HOLDER         | 4   |  |



MADE IN CHINA