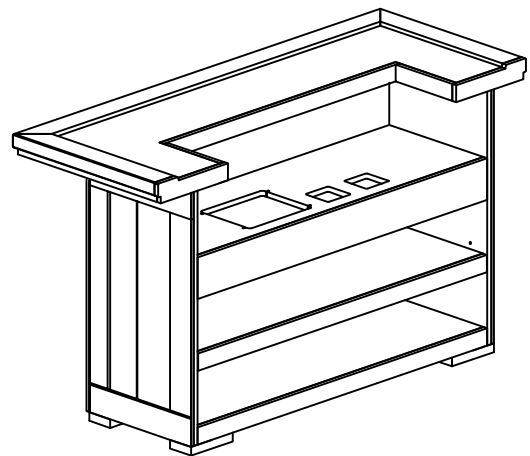
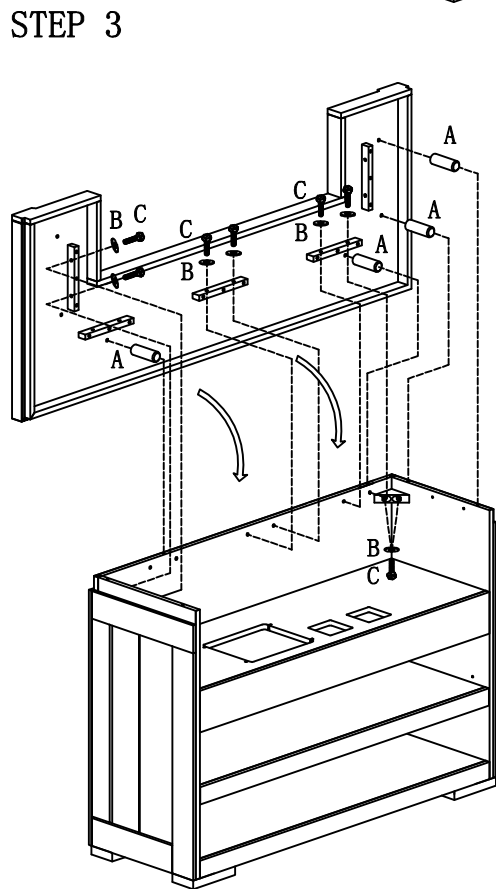
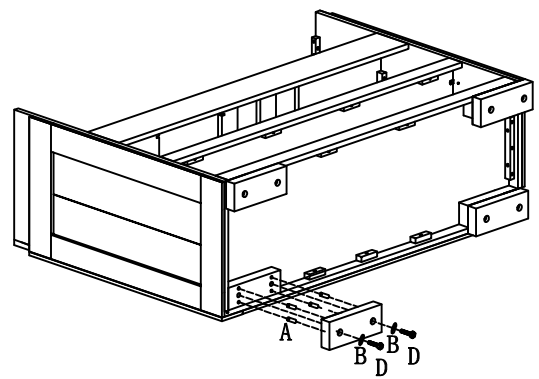
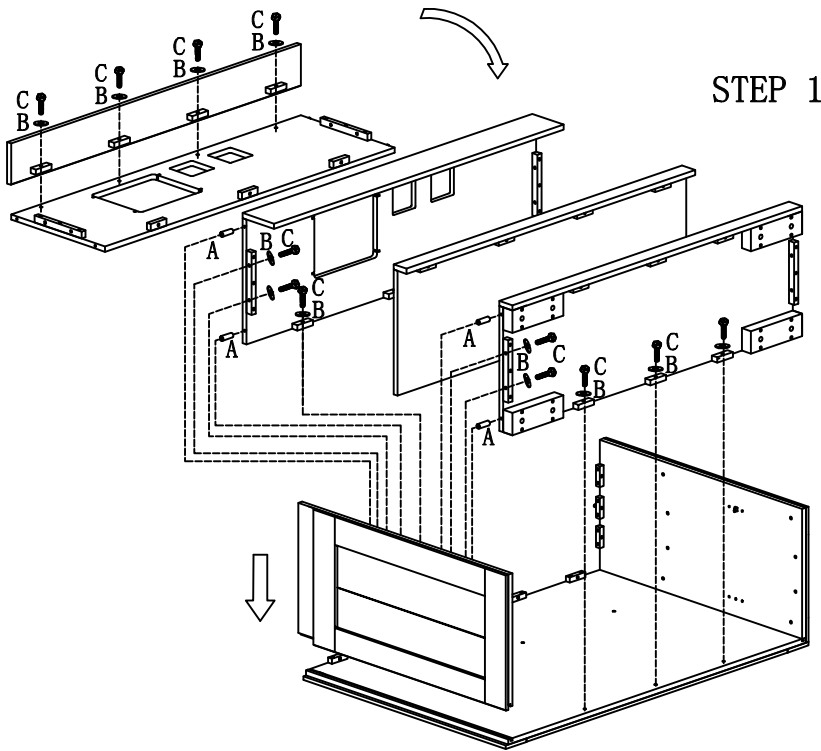


#7237-72" TOP HERITAGE BAR ASSEMBLY INSTRUCTION



NO.	SKETCH	SPEC	QT' Y
A		φ10MM*30MM	30
B		φ5/16"*φ3/4"*2MM	47
C		φ5/16"*1-1/4"	39
D		φ5/16"*1-3/4"	8