



# Harmony

## BASSINI

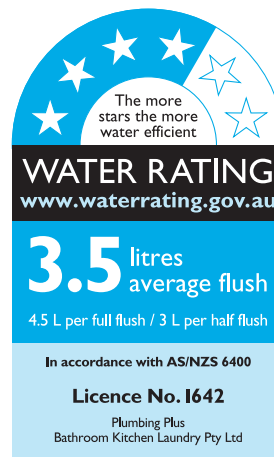
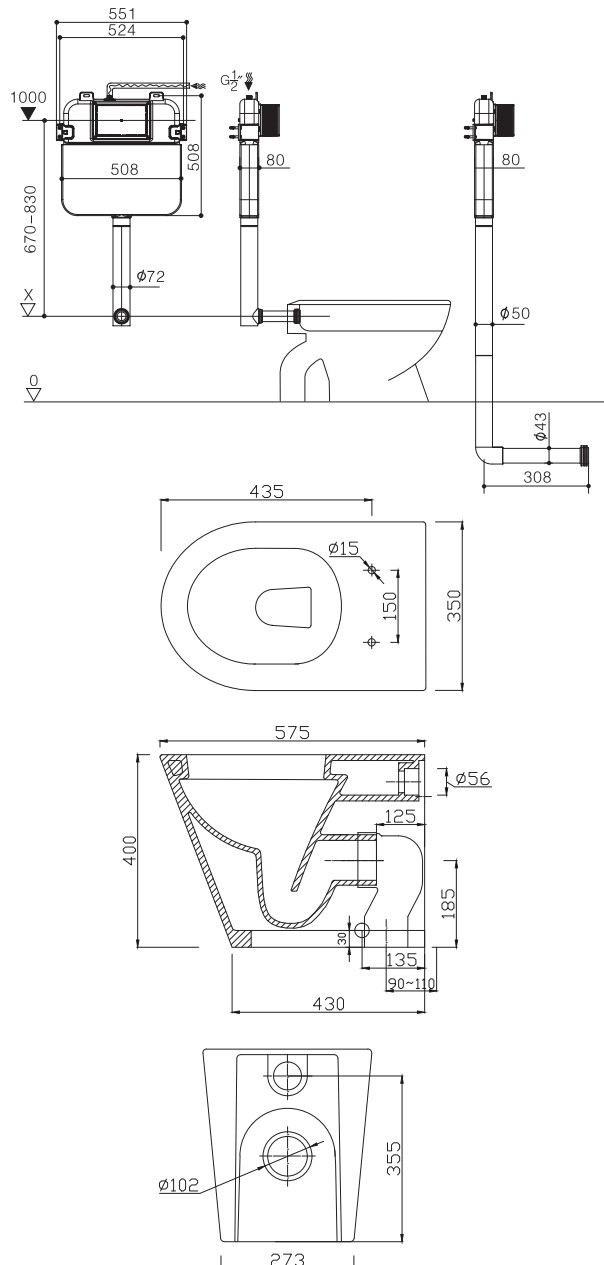
### Wall Faced Toilet Suite

PRODUCT CODE: **HARMONY10500**

#### FEATURES:

<b>RIM CONFIGURATION</b>	Box Rim
<b>WASTE OUTLET</b>	S or P Trap using Universal Connector
<b>INLET</b>	Top Inlet
<b>SEAT</b>	Soft-Close
<b>COLOUR</b>	White
<b>MATERIAL</b>	Vitreous China Pan
<b>PAN SET-OUT</b>	90-110mm
<b>WEIGHT</b>	27kg Pan, 6kg Cistern
<b>FLUSHING (Ltr)</b>	4.5 Litres Full Flush, 3.0 Litres Half Flush, 3.5 Litres Average Flush
<b>WELS RATING</b>	4 Star
<b>AUSTRALIAN STANDARDS</b>	AS1172.1-2014 AS1172.2-2014
<b>WARRANTY</b>	10 Years Pan & Cistern, 2 Years Seat, 5 Years Valves, 1 Year Push Buttons

[harmonybathroomware.com.au](http://harmonybathroomware.com.au)



**WaterMark**

AS 1172.1 - AS 1172.2  
Certificate No. 23263

VERSION DATE: 2019/03

**DISCLAIMER:** The installation of this toilet suite should be undertaken by a qualified and licensed plumber and in accordance with the National Plumbing Code AS/NZS 3500.2.2. Harmony sanitaryware products are designed to meet the appropriate Australian standards. Dimensions and set-outs contained are correct at the time of publication. However, neither the manufacturer nor the distributor takes responsibility for printing errors. The manufacturer and the distributor reserve the right to vary specifications or delete toilet suite models without prior notification. A failure to follow the installation instructions, or a failure to have the product installed by a licensed tradesperson, may void the product's warranty.