

General Inspection & Maintenance

To ensure reliability and consistent performance, we recommend regular preventative steps be taken

Cleaning

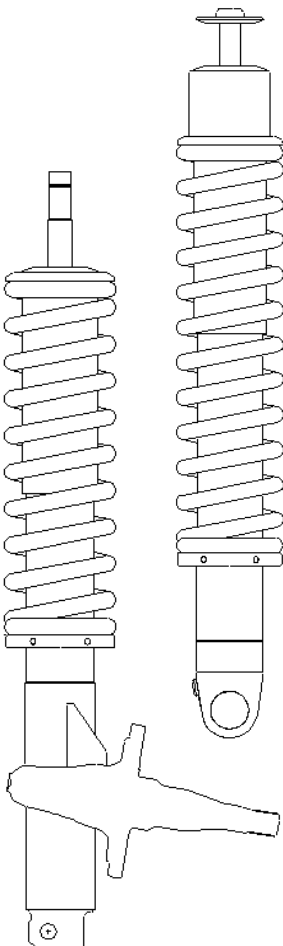
Removal of dirt is key; we recommend regular cleaning if used on a dirt surface, water and a strong-bristle brush is ideal to remove build-up of dirt. Use compressed air to dry. If cleaning a *strut*, make sure to re-grease the outer tube bushes.

Caution for cleaning

- If soap is needed, only use soft detergent, strong detergent will damage the surface finish, reducing life of damper. Rinse with clean water.
- Steam/pressure washers may cause damage to external seals.
- Thinner/brake cleaner will dry out rubber components and also cause damage.
- Do not spray water into adjusters* and bearings (5).

General Inspection Points

- 1) Check Spindle for pitting and leakage
- 2) Check external body and spring for deformation
- 3) Check reservoir for deformation
- 4) Check external rubber seals for damage
- 5) Check mounting points and bearings for excessive play and wear
- 6) Check for grease in outer tube (*strut*)
- 7) **Key Top Mount Installation Points**
 - Tighten bolt to **30Nm** on *shock*.
 - Tighten nut to **55Nm** on *strut*.
 - **DO NOT USE IMPACT GUN TO INSTALL**



! WARNING!

Contains Compressed Nitrogen

Do not alter gas pressure. Loss in gas pressure will result in reduced performance.

Contains Hazardous Liquid

Liquid kept under pressure. Keep unit sealed at all times.

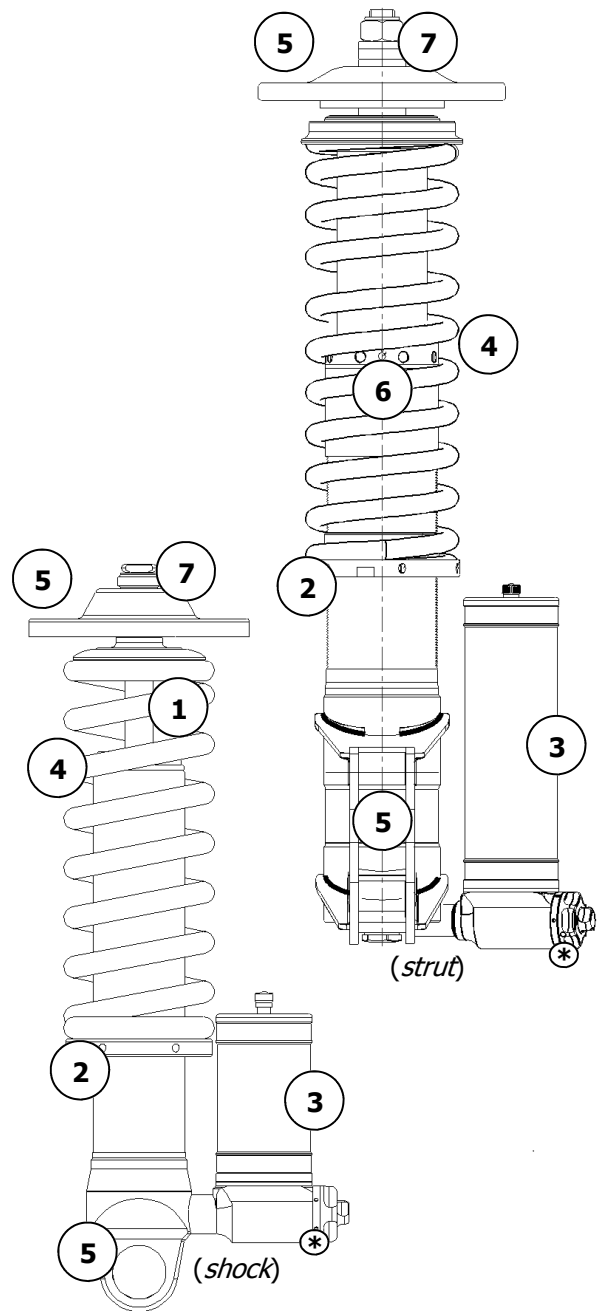
Installation & Servicing

Not recommended. Needs to be carried out at approved EXE-TC service centre.

After Inspection

We recommend checking the settings. Refer to the setup sheet provided for more info.

Contact EXE-TC with any queries



Service Intervals

Guideline for time between servicing. Times may vary depending on conditions:

Regular Street use	Every 30,000km
Hard Circuit use	1 season
Tarmac Rally	1 season
Gravel Rally	1/2—1 season

EXE Technology Consultants.
2 Omega Centre, Bittern Road,
Exeter, Devon,
EX2 7LT, UK.
tel +44 (0)1392 444490.
email: sales@exe-tc.co.uk
V.2016.01