

SWIT®

Battery Charger

Ver:V1.0.0V01

USER MANUAL

SWIT Electronics Co.,LTD.

Tel:+86-25-85805753
Fax:+86-25-85805296
http://www.swit.cc
E-mail: contact@swit.cc

Congratulations on your purchase of this product. Please read this user manual carefully.

Warning

- ◆ Never expose the battery charger to rain or moisture.
- ◆ Never attempt to open the battery charger, please contact the local agent if have problems.
- ◆ Never use metal or other conductors to touch the inside of the battery charger.
- ◆ Please make sure the voltage range is fit for the battery charger.
- ◆ Never short-circuit the battery charger terminals.
- ◆ Never immerse the battery charger in the water.
- ◆ Please use the power adapter provided or recommended by the manufacturer in order to avoid damage.
- ◆ Never use the battery charger if it is already damaged.

Caution

- ◆ Only limited to charge specified battery(ies), it may cause danger if charge other battery(ies) due to incompatibility problem.
- ◆ Only work in the temperature between 0°C-40°C.
- ◆ Keep the terminals clean and ensure the reliable connection.
- ◆ It is normal phenomenon that the battery charger may become warm in use.
- ◆ Please unplug the power lead if the battery charger is not used for a long time.
- ◆ Do not cover the cooling vent.
- ◆ Please do not put the battery charger in unstable place, it may fall and cause serious damage.
- ◆ Store the battery charger in cool, dry and clean place.

S-3802S/A User Manual

Charging :

2 channel sequential charging charger and gives priority to first inserted charger channel.

1. Connect with power lead, turn on the power switch; the power indicator will light on.
2. When only one channel is inserted with battery, the LED indicator will indicates the current charging status. When both channels are inserted with batteries, the charger will give priority to charge the first inserted battery, and the LED indicator will indicates the current charging status of the first inserted battery. After fully charged, the charger will charge the other battery.

Red: The battery capacity is below 80%

Orange: The battery capacity is between 80% and 100%

Green: Fully charged, can be taken off

3. When fully charged, please press the battery release button to take off the battery.

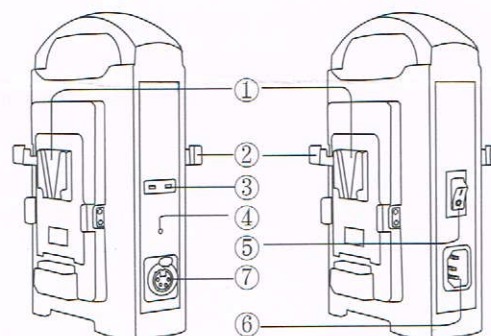
Adapting output :

The S-3802S/A offers one channel 4-pin XLR DC adapting output socket.

1. Connect with power lead, turn on the power switch; the power indicator will light on.
2. Connect the connecting wire to the charger 4-pin XLR DC output socket and the current-using equipment to output power.

Attention:

1. When using 4-pin XLR DC output, please make sure the Voltage and the Power is fitted(13.8V, 3.6A)
2. S-3802A/S can not charging and DC output at the same time. If channel(s) are inserted with battery(ies) during charging, there will be no DC output.



- ① Charging channel(V-mount / Gold mount)
- ② battery release button
- ③ Charging LED indicator
- ④ power indicator
- ⑤ power switch
- ⑥ power input socket
- ⑦ 4-PIN XLR DC output socket

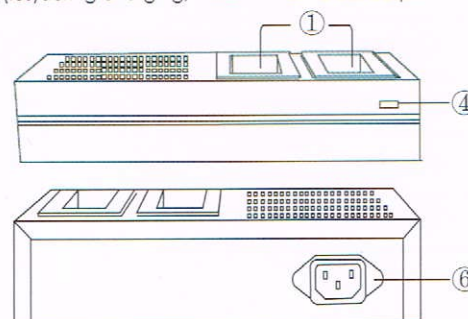
SC-302 User Manual

Charging :

2 channel sequential charging charger and gives priority to first inserted charger channel.

1. Connect with power lead, turn on the power switch; the power indicator will light on.
2. When only one channel is inserted with battery, the LED indicator will indicates the current charging status. When both channels are inserted with batteries, the charger will give priority to charge the first inserted battery, and the LED indicator will indicates the current charging status of the first inserted battery. After fully charged, the charger will charge the other battery.

3. When fully charged, please take off the battery to use.



- ① charging channel
- ④ Power indicator
- ⑥ power input socket

SC-302S/A User Manual

Charging:

2 channel sequential charging charger and gives priority to first inserted charger channel.

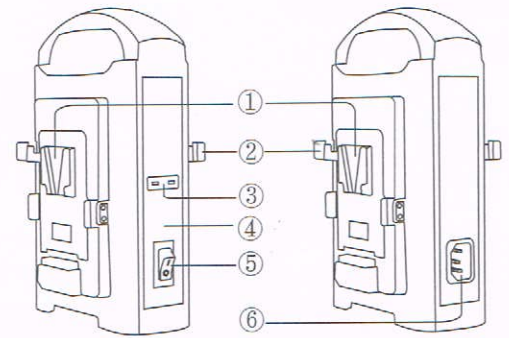
1. Connect with power lead, turn on the power switch; the power indicator will light on.
2. When only one channel is inserted with battery, the LED indicator will indicates the current charging status. When both channels are inserted with batteries, the charger will have priority to charge the first inserted battery, and the LED indicator will indicates the current charging status of the first inserted battery. After fully charged, the charger will charge the other battery.

Red: The battery capacity is below 80%

Orange: The battery capacity is between 80% and 100%

Green: Fully charged, can be taken off

3. When fully charged, please press the battery release button to take off the battery



- ① Charging channel(V-mount / Gold mount)
- ② battery release button
- ③ Charging LED indicator
- ④ power indicator
- ⑤ power switch
- ⑥ 4-PIN XLR DC output socket

SC-304S/A User Manual

Charging:

2-channel simultaneous charging

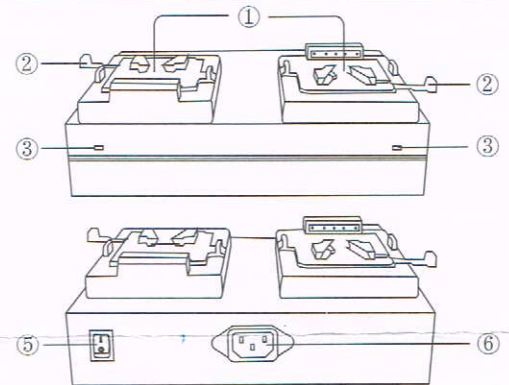
1. Connect with power lead, turn on the power switch; the power indicator will light on.
2. When the charging channel is inserted with battery, the corresponding charging LED indicator will indicates the current charging status. The details will be as below:

Red: The battery capacity is below 80%

Orange: The battery capacity is between 80% and 100%

Green: Fully charged, can be taken off

3. When fully charged, please press the battery release button to take off the battery.



- ① Charging channel(V-mount / Gold mount)
- ② battery release button
- ③ Charging LED indicator
- ⑤ power switch
- ⑥ power input socket

Applicable battery

SC-302A / SC-304A / S-3802A: SWIT Gold mount batteries

SC-302S / SC-304S / S-3802S: SWIT V-mount batteries

SC-302: SWIT NP-1 style batteries

Specifications

Model	Charge Mode	Power Input	Charging Output(V)	Charging output(A)	Dimension(mm)	Adapting output
SC-302	Sequential Charging	AC 100~240V 50/60Hz	DC 14~20V	1.9	215×115×55	
SC-302A	Sequential Charging			1.9	228×140×86	
SC-302S	Sequential Charging			1.9	228×140×86	
SC-304A	Simultaneous Charging			1.9×2	223×230×66	
SC-304S	Simultaneous Charging			1.9×2	223×230×75	
S-3802A	Sequential Charging			1.9	228×140×86	13.8V, 3.6A
S-3802S	Sequential Charging			1.9	228×140×102	13.8V, 3.6A