

DEL MEDICAL

OTC12D

Overhead Tube Crane System

The Del Medical OTC12D system is a high-throughput imaging suite offering complete versatility and reliability at an affordable price. The durable OTC12 overhead tube crane combined with our 800lb patient load elevating table and slender design wall stand can readily meet the demands of the busiest imaging environments with ease. Add a DelWorks DR Package for increased efficiency.



DEL MEDICAL

OTC12D

Overhead Tube Crane System

OTC12

Overhead Tube Crane

This overhead mounted support allows for the most flexible and affordable configuration choices in radiography. Sturdy and reliable, it is ideal for high-throughput environments such as hospitals, emergency rooms and high volume out patient facilities.

- Touch screen display for SID and angulation
- Telescoping arm allows for small focus-to-ceiling distance
- Ergonomic design with easy movements for fast, accurate positioning
- Electromagnetic brake for telescopic lift and transverse track
- Integrated lock function
- Available with manual or automatic collimator



EV800

Elevating, Four-Way Float Top Table

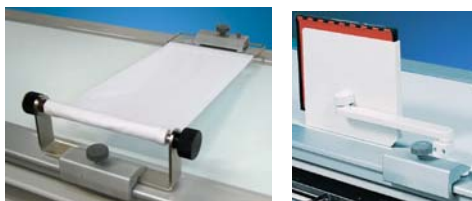
This rugged table is built to demanding hospital quality standards and features an 800lb (363kg) patient load capacity allowing complete confidence when imaging larger patients. The smooth rounded corners and integral collision sensors ensure patient and operator safety.

- 17inx17in bucky with 10:1 grid and manual or size-sensing cassette tray; an optional DR ready bucky is also available!
- Smooth and quiet table operation with rack and pinion motor drive
- Features recessed foot treadles and table-side hand control for easy control of table movements
- Smooth, stain resistant fiber resin table top with variable height from 22.25in (56.5cm) to 34.25in (87cm)

Available table options include multiple table top sizes, carbon fiber top, a variety of grids, patient hand grips, compression belt and lateral cassette holder.



Removeable table side hand control attaches to front or back table top track, providing a source for all table movements anywhere around the table



Optional compression band and lateral cassette holder



Table top lowers to 22.25in (56.5cm) allowing for safe and easy patient transfers

VS300

Vertical Wall Stand

This robust wall stand features the same streamlined design with soft rounded edges that compliment the EV800 table.

- Slender column design with cable concealment system
- Electric "Fail Safe" locks and ergonomic release handle
- Two lateral patient handgrips come standard, a removeable overhead handgrip (pictured) is also available as an option
- 17in x 17in bucky with 10:1 grid and manual or size-sensing cassette tray; an optional DR ready bucky is also available!
- Receptor lowers to floor to accommodate a full range of upright radiographic procedures
- Counter balanced with smooth, vibration free movement

Other available options include floor mount kit for free standing version and a variety of grids.



Extensive vertical travel range from 72in (182.9cm) to 15.5in (39.4cm) above finished floor to center of film

Power for Your Needs

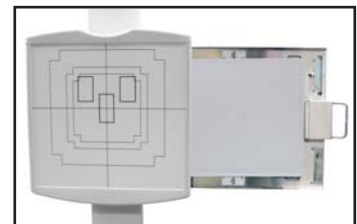
Choose from Del Medical's CMDR and IN Series of 50, 65 or 80kW APR generators. Compact in size and lightweight, these generators offer high frequency performance up to 400kHz and come complete with pedestal console, handswitch and dual speed starter. Plus they have digital ready functionality with select digital systems so they are DR ready when you are . . . now or in the future.

Combine with any of our 300, 400 or 600 kHU x-ray tubes to build a system with the versatility to fulfill the needs of demanding imaging suites.



DELWORKS DR

Add a DelWorks DR Upgrade Package for a completely integrated digital system for increased efficiency. Choose from a variety of fixed or portable, tethered or wireless, flat panel detector(s) complete with DELWORKS acquisition and processing workstation and software. Please contact us for complete details on our DR upgrade packages.



OTC12D

Overhead Tube Crane



Specifications

OTC12 Overhead Tube Mount

- Minimum focus ceiling distance: 32.7in (830mm)
- Vertical telescope travel range: 70.8in (1800mm)
- Longitudinal travel range,
 - with standard rail: 137.8in (3500mm)
 - with optional rail extensions: 222.2in (5645mm)
 - detent positions: configurable during installation
- Transverse travel range,
 - with standard 9.8ft (3m) rail: 84.6in (2150mm)
 - with optional 13.1ft (4m) rail: 137.8in (3500mm)
 - detent positions: configurable during installation
- Transverse track length, standard: 119.3in (3030mm) ±.39in (10mm)
with optional rail extension: 172in (4380mm) ±.39in (10mm)
- Tube rotation range, horizontal axis: -120°, +120°
-detent positions: -90°, 0°, +90°
- Tube rotation range, vertical axis: +182°, -154°
-detent positions: +180°, -90°, 0°, +90°
- Maximum installation height: ≤1.2 miles (2000m) above sea level
- Touchscreen interface: SID and horizontal tube rotation (Generator control on OTC12S suite only)

OTC12 Overhead Tube Mount Options

- 300kHU, 400kHU or 600kHU 0.6-1.2mm, X-ray tube
- Collimator (Ralco Manual-OTC-12M or Ralco Automatic-OTC-12A)
- Extended longitudinal rail length, up to 20ft (6.37m)
- Extended telescope and travel, increases vertical travel by 7.9in (201mm)
- 13.12ft (4m) transverse bridge



EV800 Elevating Table

Load capacity:	800lb (363kg)
Base length:	53in (1346mm)
Base width:	25in (635mm)
Top length, standard:	86.5in (2197mm)
optional:	78in (1981mm)
Top width, standard:	31.9in (810mm)
optional:	35.9in (912mm)
Table weight:	563lb (256kg)

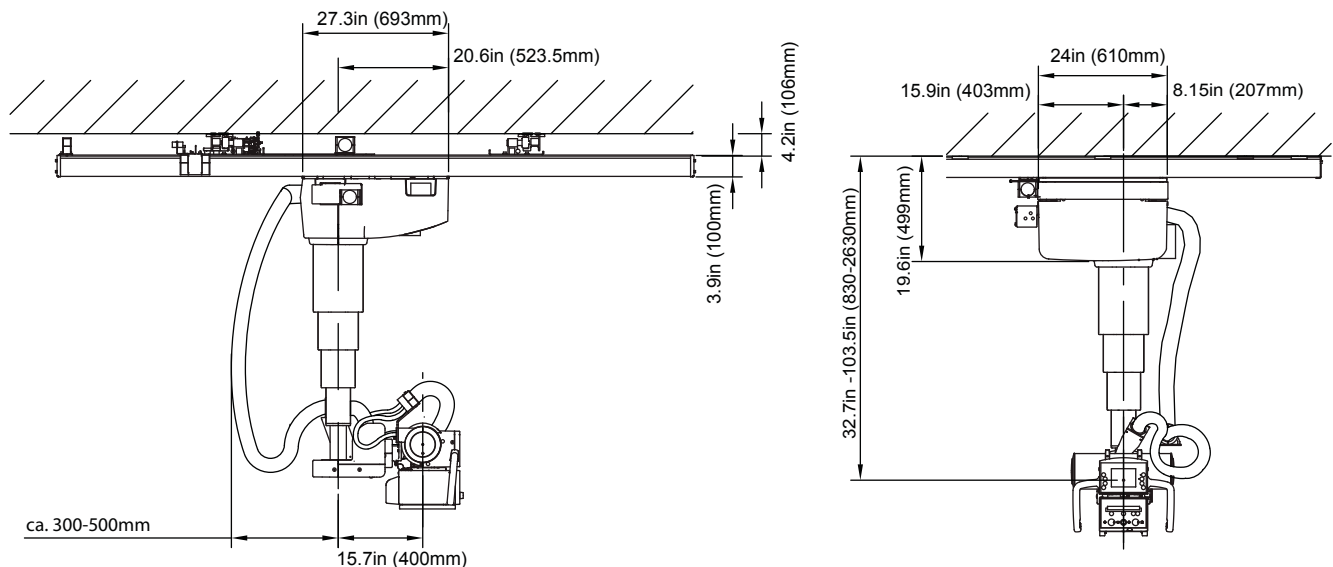
See Del Medical EV800 component spec sheet for complete specifications

VS300 Vertical Wall Stand

Height:	84in (2134mm)
Depth:	13.4in (340mm)
Width (with receptor):	24.6in (625mm)

See Del Medical VS300 component spec sheet for complete specifications

Some flat panel DR detectors may have some affect on table and/or wall stand bucky specifications, depending on manufacturer. Please contact us for complete details on digital upgrades!



DEL MEDICAL

Toll Free: (800) 800-6006
 Fax: (847) 288-7011
 Email: info@delmedical.com
 www.delmedical.com
 241 Covington Drive, Bloomingdale, IL 60108

Del Medical is a UMG Company.
 Del Medical is an ISO 13485 & ISO9001 Certified Facility.
 Specifications are subject to change without notice.

UMG

Toll Free: (800) 261-9808
 Fax: (914) 835-6111
 Email: info@umgxray.com
 www.umgxray.com
 28 Calvert Street, Harrison, NY 10528