

HOME FURNITURE COLLECTIONS

ASSEMBLY INSTRUCTIONS

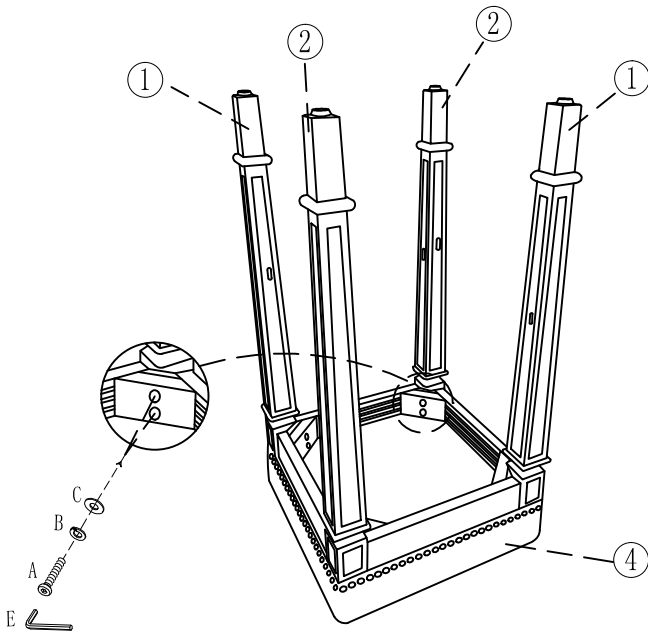
MONACO STOOL

LOOSELY ATTACH EACH SCREW UNTIL FRAME IS ASSEMBLED THEN TIGHTEN WHEN COMPLETE

1

**STEP1**

1)Attach the Legs(1)/(2) in position as shown, with Bolt(A) through Lock Washer(B) and Flat Washer(C) by Allen Wrench(E) to Seat Frame(4).

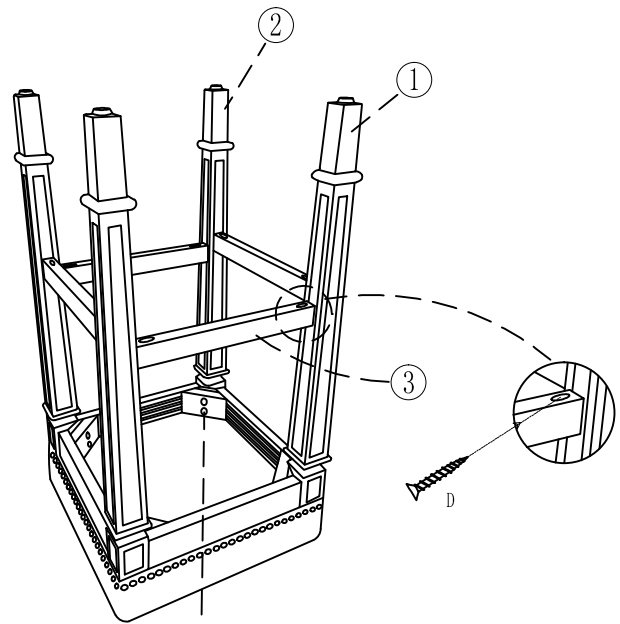


Don't tighten all the bolts before cross bar inserted

2






**STEP2**

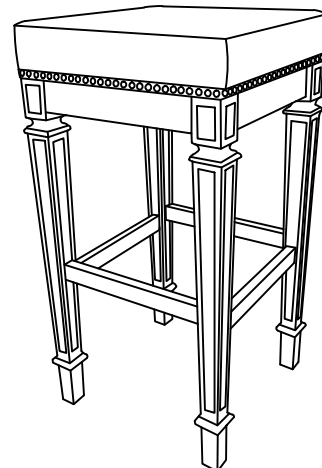
1)Attach the cross bar(3) with PH Screw(D) by PH Screwdriver to Legs(1)/(2) as shown.



Tighten all the bolts now

\* Check that the following parts are in carton

A	Bolt	φ5/16"×2"		8PCS
B	Lock Washer	φ5/16"		8PCS
C	Flat Washer	φ5/16"×19mm		8PCS
D	PH Screw	φ8×1-3/4"		8PCS
E	Allen Wrench	φ5/16"		1PC



MADE IN CHINA