

HOME FURNITURE COLLECTIONS

ASSEMBLY INSTRUCTIONS

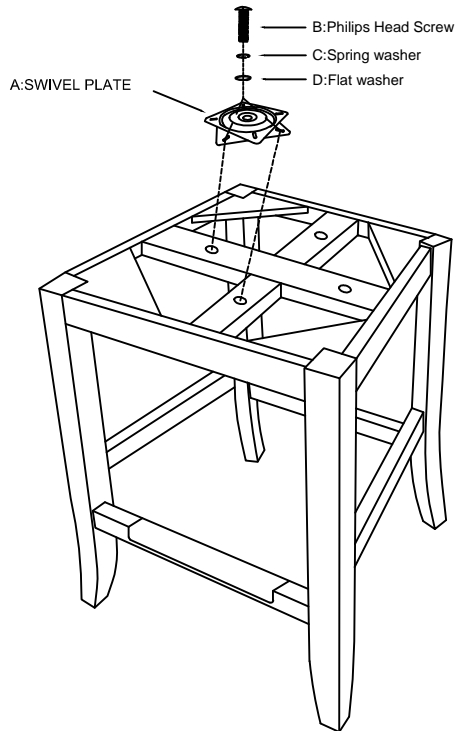
JAXON STOOL

LOOSELY ATTACH EACH SCREW UNTIL FRAME IS ASSEMBLED THEN TIGHTEN WHEN COMPLETE

1

STEP1

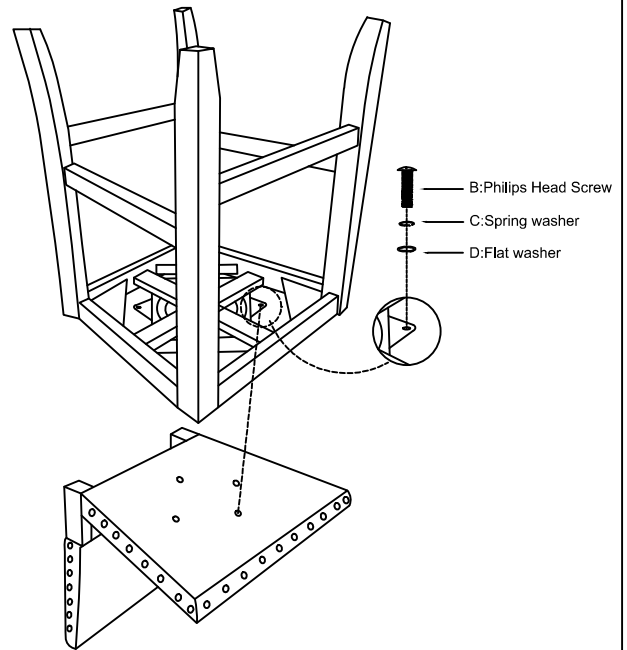
1)Attach Swivel Plate (A) to the Bar stool base using the Philips Head Screw(B) and Spring washer (C) & Flat washer (D).
Tighten all bolts evenly and then turn each bolt 1/4 turn evenly for final fasten.







2

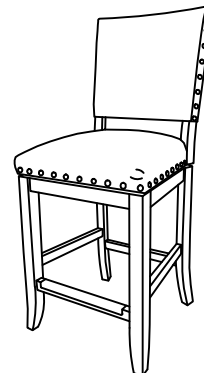
STEP2

1)Attach Chair Top to the swivel plate(A) on chair base using Philips Head Screw(B) and Spring Washer(C) and Flat Washer(D)
Tighten all screws now.



* PLEASE READ INSTRUCTION PRINTED ON SWIVEL PLATE
HARDWARE PACK
CHECK THAT THE FOLLOWING PARTS ARE IN CARTON

A	Swivel Plate	8"		1PC
B	Philips Head Screw	φ1/4"×1"		8PCS
C	Spring Washer	φ1/4"		8PCS
D	Flat Washer	φ1/4"×19mm		8PCS



MADE IN CHINA