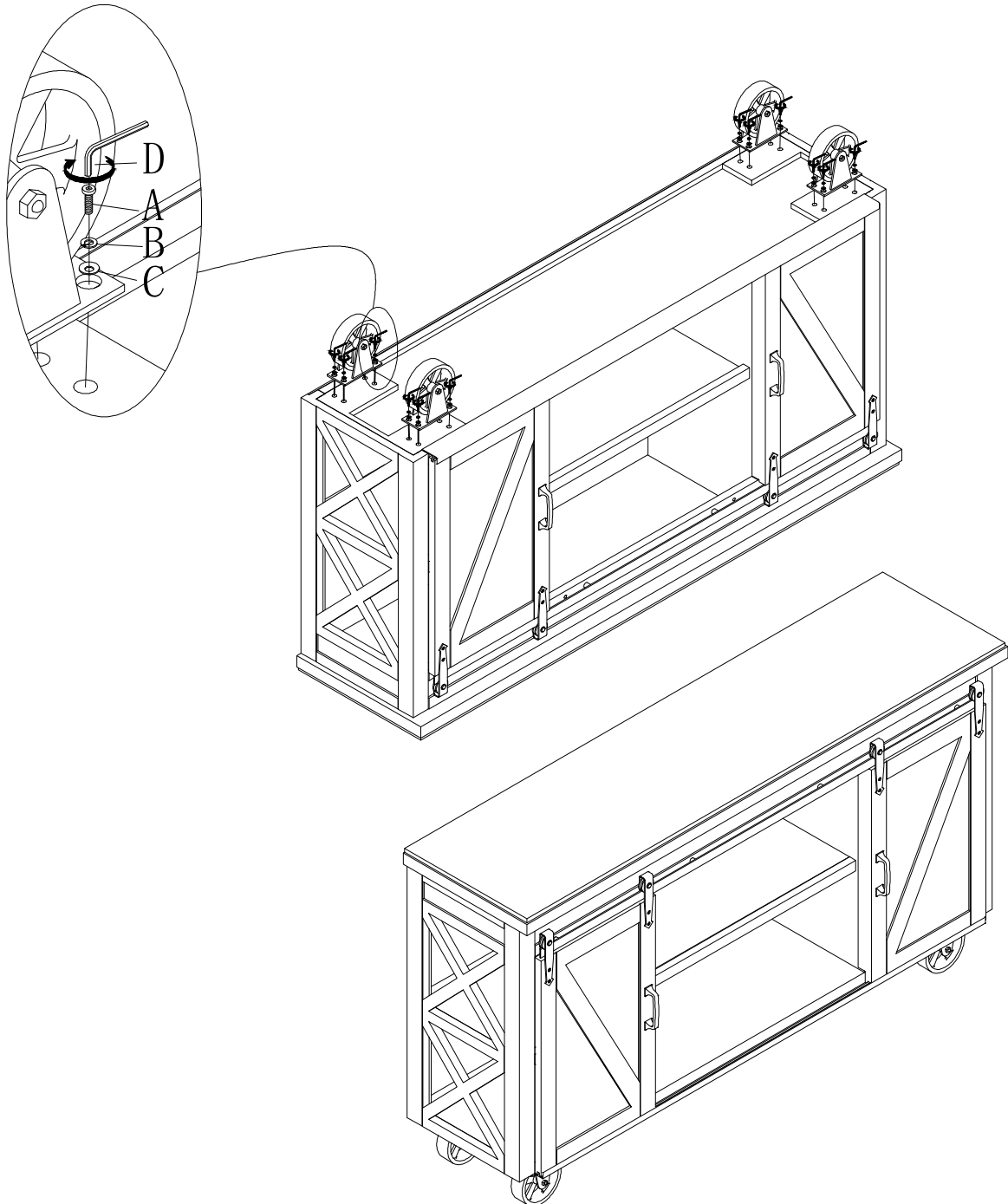
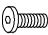





AHB

HOME FURNITURE COLLECTIONS ASSEMBLY INSTRUCTION

GATEWAY BAR CART



HARDWARE LIST		QTY	OUTLOOK
A	BOLT (5/16" * 1")	16	
B	LOCK WASHER (5/16")	16	
C	FLAT WASHER (5/16" * 19 MM)	16	
D	WRENCH (5/16")	1	

DO YOU HAVE A QUESTION CONCERNING YOUR AMERICAN HERITAGE BILLIARDS PRODUCT? PLEASE CONTACT THE RETAILER YOU PURCHASED YOUR FURNITURE FROM TO GET MORE INFORMATION ON THE PRODUCT. IF YOU CANNOT CONTACT THE RETAILER YOU PURCHASED FROM, PLEASE SEND US AN INQUIRY TO OUR WEBSITE AND WE'LL DO OUR BEST TO HELP. THANK YOU FOR YOUR SUPPORT!