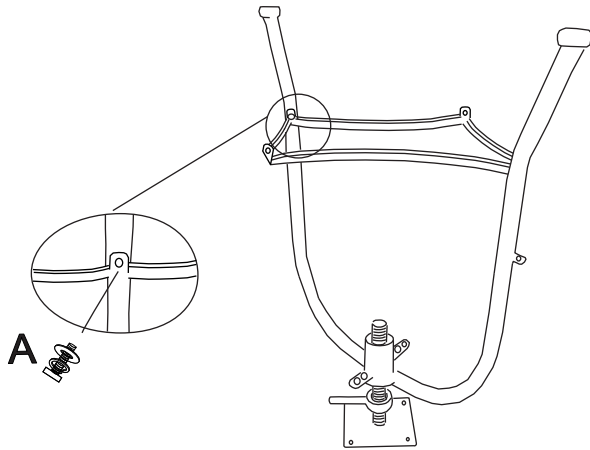


# AHB

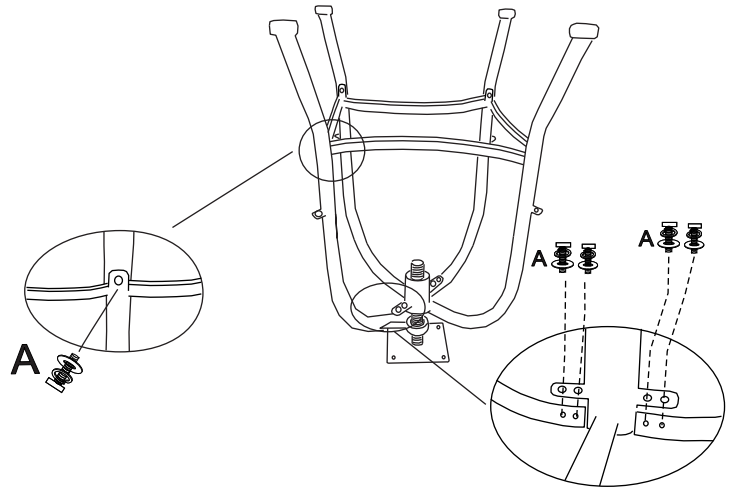
## HOME FURNITURE COLLECTIONS ASSEMBLY INSTRUCTIONS KIRTLAND ADJUSTABLE STOOL

LOOSELY ATTACH SCREW UNTIL FRAME IS ASSEMBLED THEN TIGHTEN WHEN COMPLETE

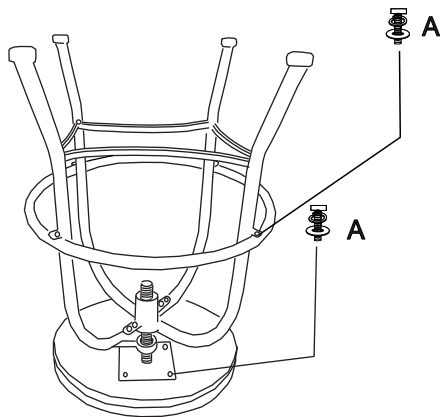
1 Attach small foot ring to "U" leg frame by using 2 pcs bolt (A) as shown.



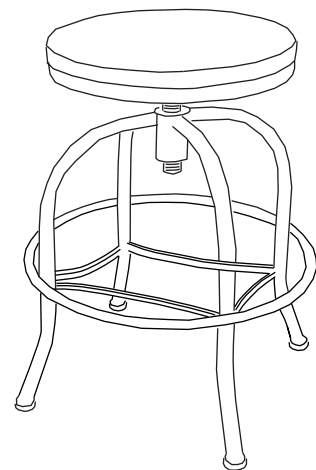
2 Attach legs to "U" leg frame and small foot ring by using 6 pcs bolt (A) as shown.



3 Attach big foot ring to legs by using 4 pcs bolt (A), then put wood seat upside down on a flat soft surface, attach it to base by using 4 pcs bolt (A) as shown.



4 Assembly is complete.



IMPORTANT NOTE:  
HARDWARE PACK LOCATION



Hardware Box

HARDWARE PACK

MADE IN CHINA

CHECK THAT THE FOLLOWING PARTS ARE IN CARTON

**A**



Short Bolt  
1/4"\*15mm  
16 PCS

**B**



Allen Wrench  
4mm  
1 PC

DO YOU HAVE A QUESTION CONCERNING YOUR AMERICAN HERITAGE BILLIARDS PRODUCT? PLEASE CONTACT THE RETAILER YOU PURCHASED YOUR FURNITURE FROM TO GET MORE INFORMATION ON THE PRODUCT. IF YOU CANNOT CONTACT THE RETAILER YOU PURCHASED FROM, PLEASE SEND US AN INQUIRY TO OUR WEBSITE AND WE'LL DO OUR BEST TO HELP. THANK YOU FOR YOUR SUPPORT!