

SELECTION MADE SIMPLE.  
[www.americanheritagebilliards.com](http://www.americanheritagebilliards.com)

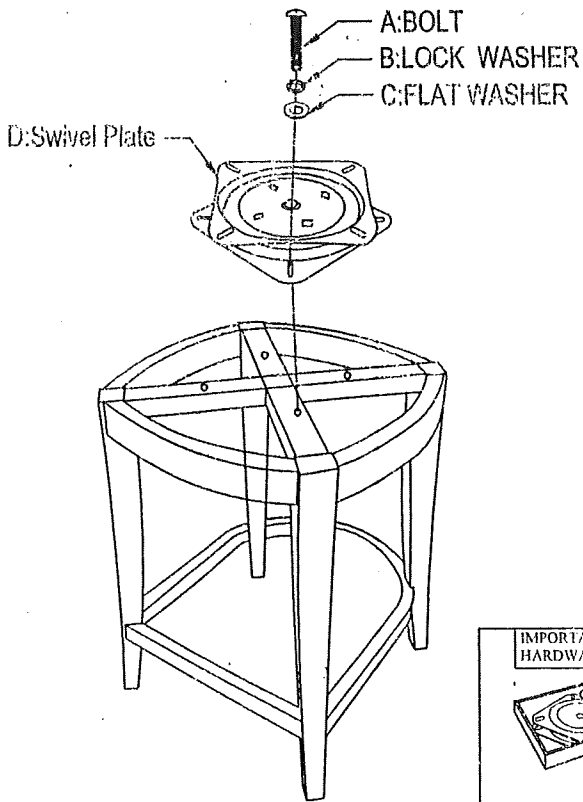
**ASSEMBLY INSTRUCTIONS**  
**LIBERTY STOOL**

LOOSELY ATTACH EACH SCREW UNTIL FRAME IS ASSEMBLED THEN TIGHTEN WHEN COMPLETE

**1**

**STEP 1**

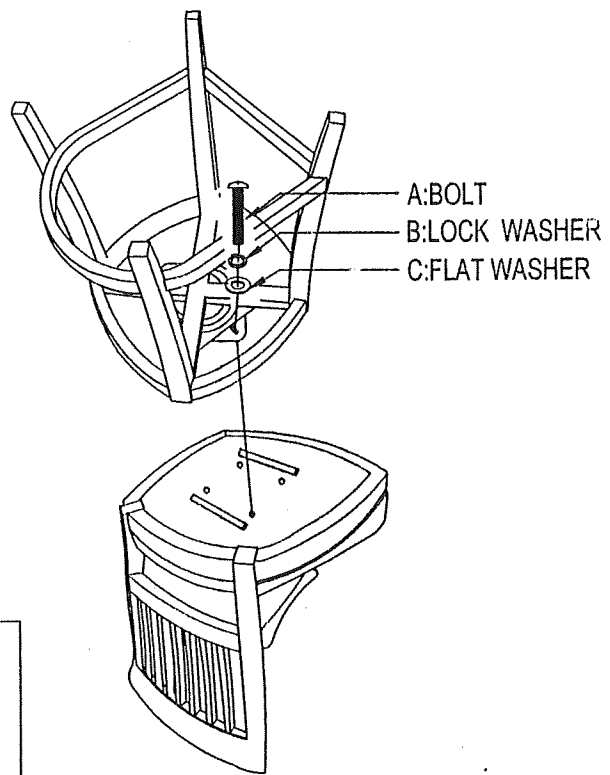
1) Attach swivel plate (D) to the bar stool base using the four short bolts (A) and then lock washer (B) & flat washer (C). Tighten all bolts evenly and then turn each bolt 1/4 turn for final fasten.



**2**

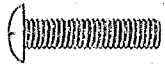



**STEP 2**

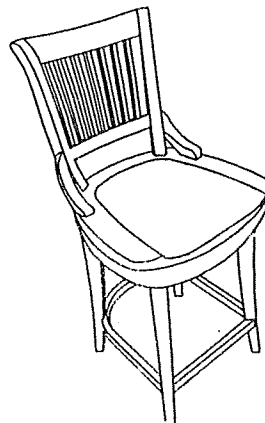
2) Attach bar stool seat to swivel plate, which is now attached to the bar stool base. Attach bar stool seat using four short bolt (A) and then lock washer (B) & flat washer (C). Tighten all bolts evenly and then turn each bolt 1/4 turn evenly for final fasten.



\* PLEASE READ INSTRUCTION PRINTED ON SWIVEL PLATE  
HARDWARE PACK  
CHECK THAT THE FOLLOWING PARTS ARE IN CARTON

**PARTS LIST**

A		BOLT	1/4"*7/8"	8PCS
B		LOCK WASHER	1/4"	8PCS
C		FLAT WASHER	1/4"*16mm	8PCS
D		SWIVEL PLATE	.	1PC



**MADE IN CHINA**