

— EST. 1987 —

# AHB

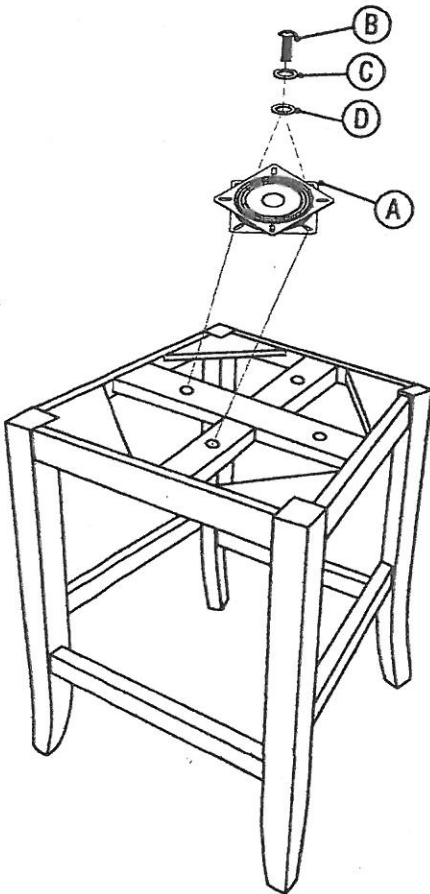
HOME FURNITURE COLLECTIONS

## ASSEMBLY INSTRUCTIONS SUTTON STOOL

1

### STEP 1

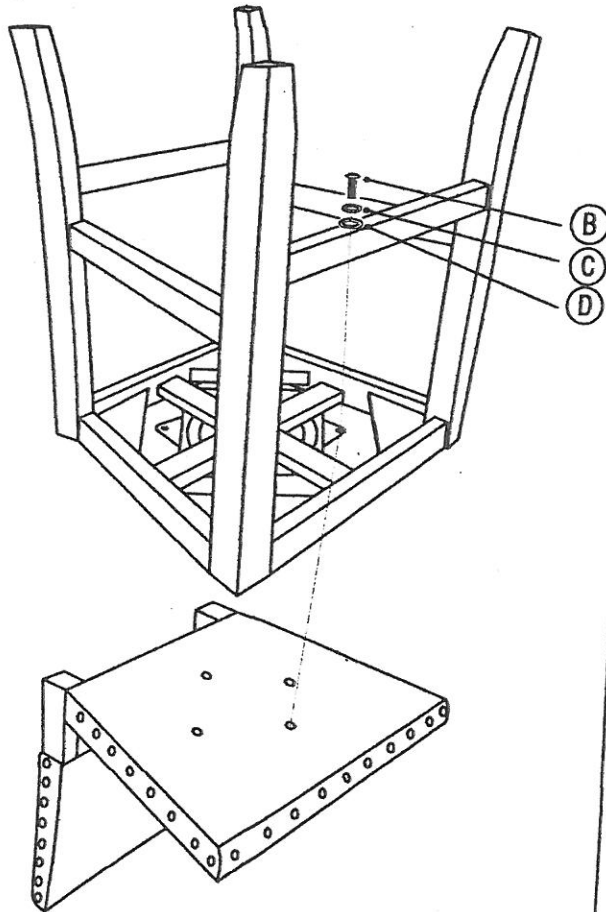
- 1) Attach Swivel Plate (A) to the Bar Stool Base using Philips Head Screw (B) and Spring Washer (C) and Flat Washer (D)  
Tighten all bolts evenly and then turn each bolt 1/4 turn for final fasten.



2

### STEP 2

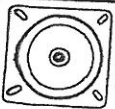
- 2) Attach chair top to the swivel plate (A) on chair base using Philips head screw (B), spring washer (C) and flat washer (D)  
Tighten all screws now.



**HARDWARE PACKED**  
**CHECK THAT THE FOLLOWING PARTS ARE IN CARTON**

MADE IN CHINA

A



SWIVEL PLATE  
(1 PC)  
8\*\*8\*\*20MM

B



PHILIPS HEAD SCREW  
(8 PCS)

C



SPRING WASHER  
(8 PCS)

D



FLAT WASHER  
(8 PCS)