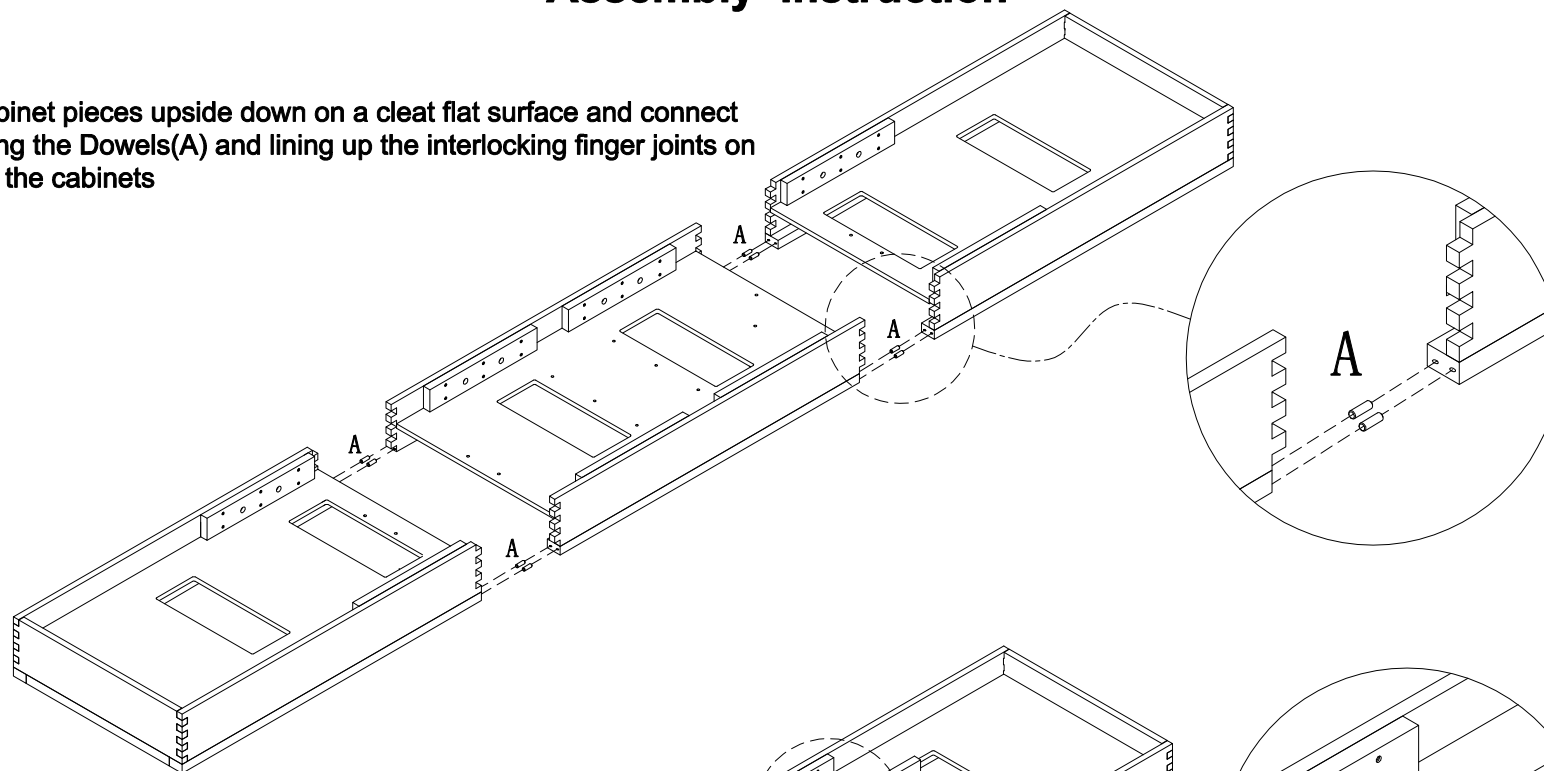


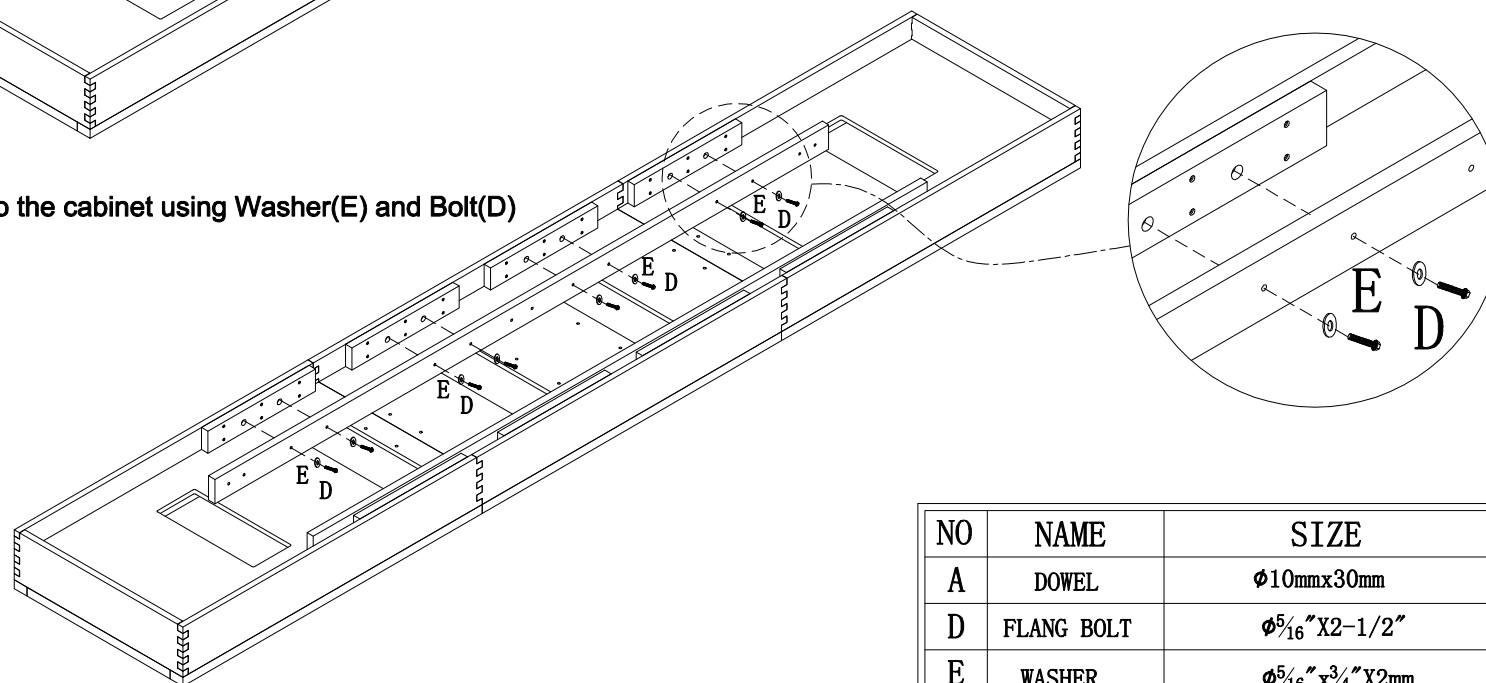
AMERICAN HERITAGE-SAVANNAH SHUFFLEBOARD TABLE-14'

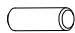


Assembly Instruction

Step 1. Lay all 3 cabinet pieces upside down on a cleat flat surface and connect them by using the Dowels(A) and lining up the interlocking finger joints on each end of the cabinets



Step 2. Attach the beams to the cabinet using Washer(E) and Bolt(D)

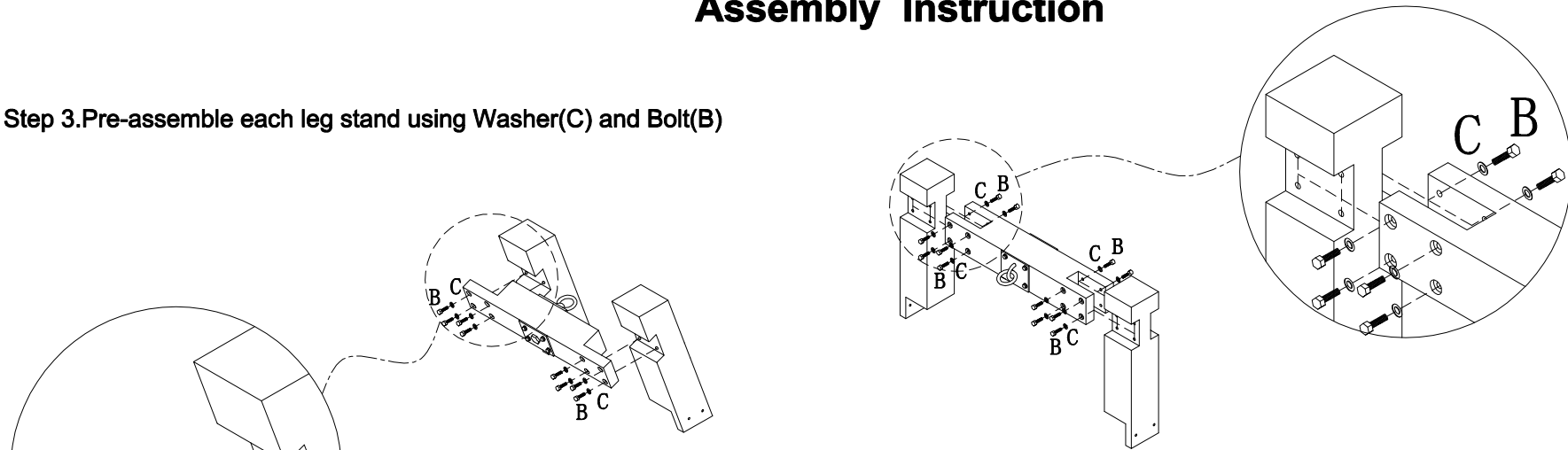


NO	NAME	SIZE	PCS	DRAW
A	DOWEL	φ10mmx30mm	8	
D	FLANG BOLT	φ ⁵ / ₁₆ "X2-1/2"	16	
E	WASHER	φ ⁵ / ₁₆ " x ³ / ₄ " X2mm	16	

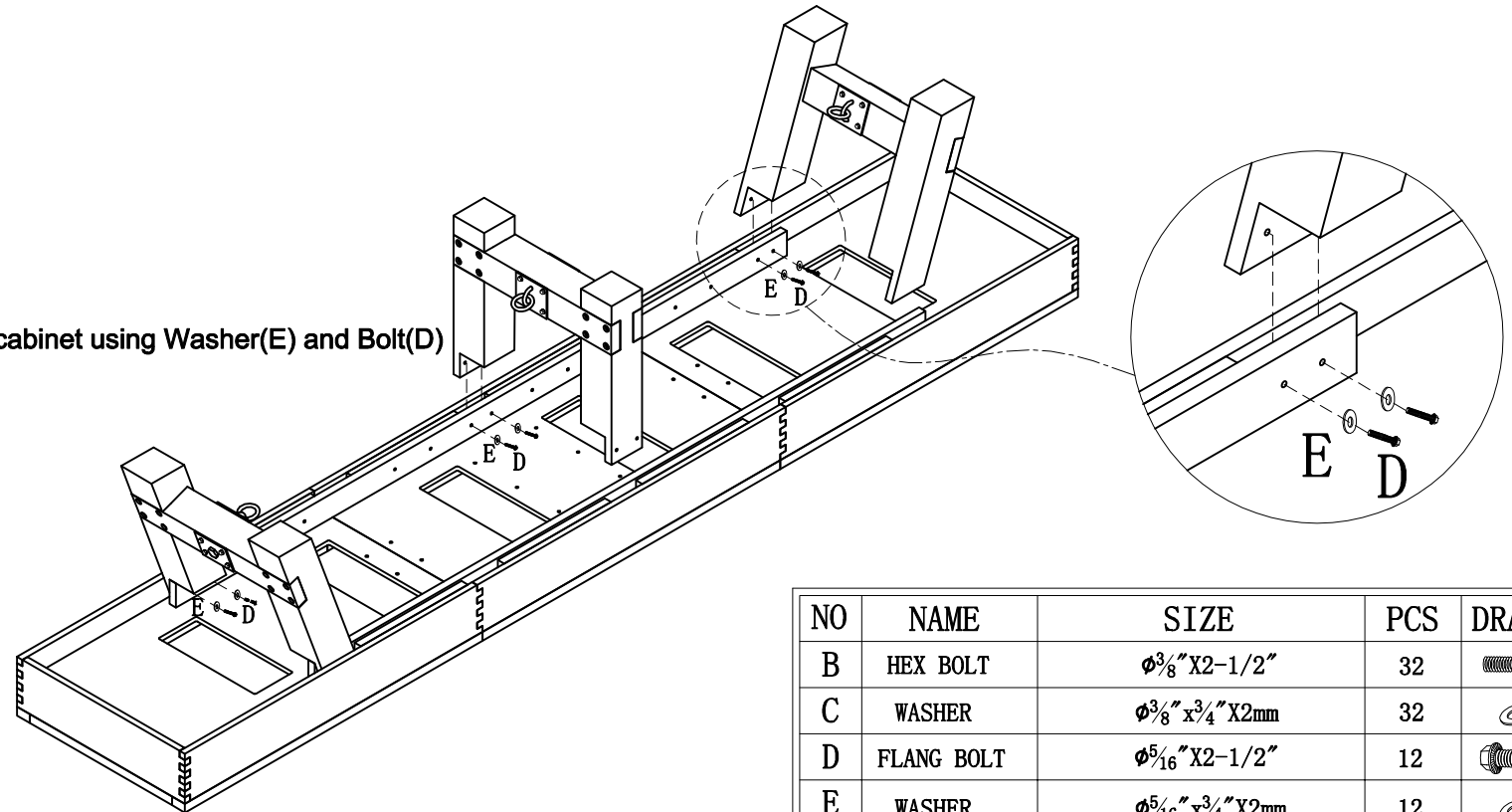
AMERICAN HERITAGE-SAVANNAH SHUFFLEBOARD TABLE-14'





Assembly Instruction

Step 3. Pre-assemble each leg stand using Washer(C) and Bolt(B)



Step 4. Attach each leg stand to the cabinet using Washer(E) and Bolt(D)



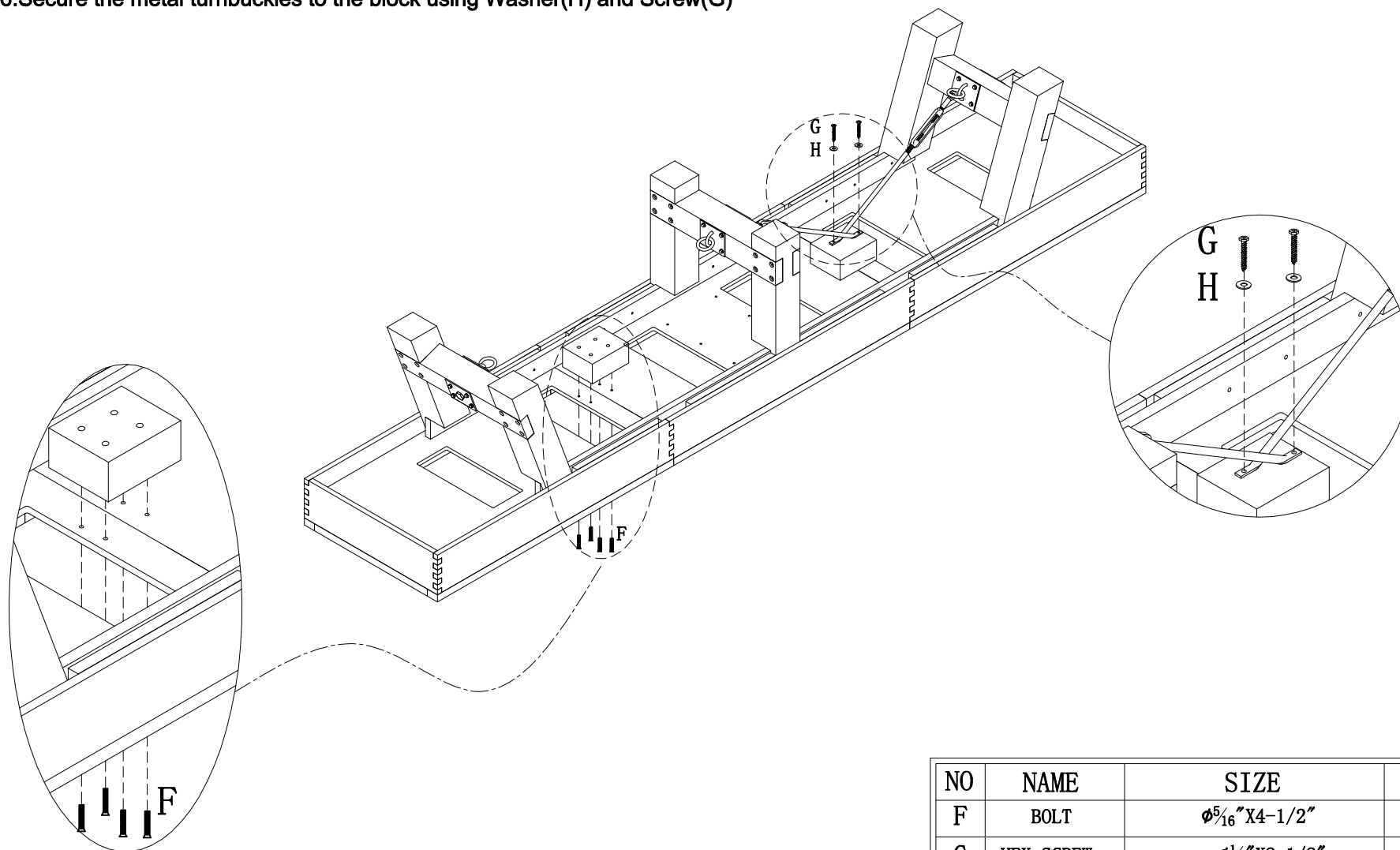
NO	NAME	SIZE	PCS	DRAW
B	HEX BOLT	$\phi\frac{3}{8}$ "X2-1/2"	32	
C	WASHER	$\phi\frac{3}{8}$ " x $\frac{3}{4}$ "X2mm	32	
D	FLANG BOLT	$\phi\frac{5}{16}$ "X2-1/2"	12	
E	WASHER	$\phi\frac{5}{16}$ " x $\frac{3}{4}$ "X2mm	12	




AMERICAN HERITAGE-SAVANNAH SHUFFLEBOARD TABLE-14'

Assembly Instruction

Step 5. Attach the turnbuckle blocks to the underside of the cabinet using Bolt(F)

Step 6. Secure the metal turnbuckles to the block using Washer(H) and Screw(G)



NO	NAME	SIZE	PCS	DRAW
F	BOLT	$\phi^{5/16}$ "X4-1/2"	8	
G	HEX SCREW	$\phi^{1/4}$ "X2-1/2"	4	
H	WASHER	$\phi^{1/4}$ "X5/8"X2mm	4	

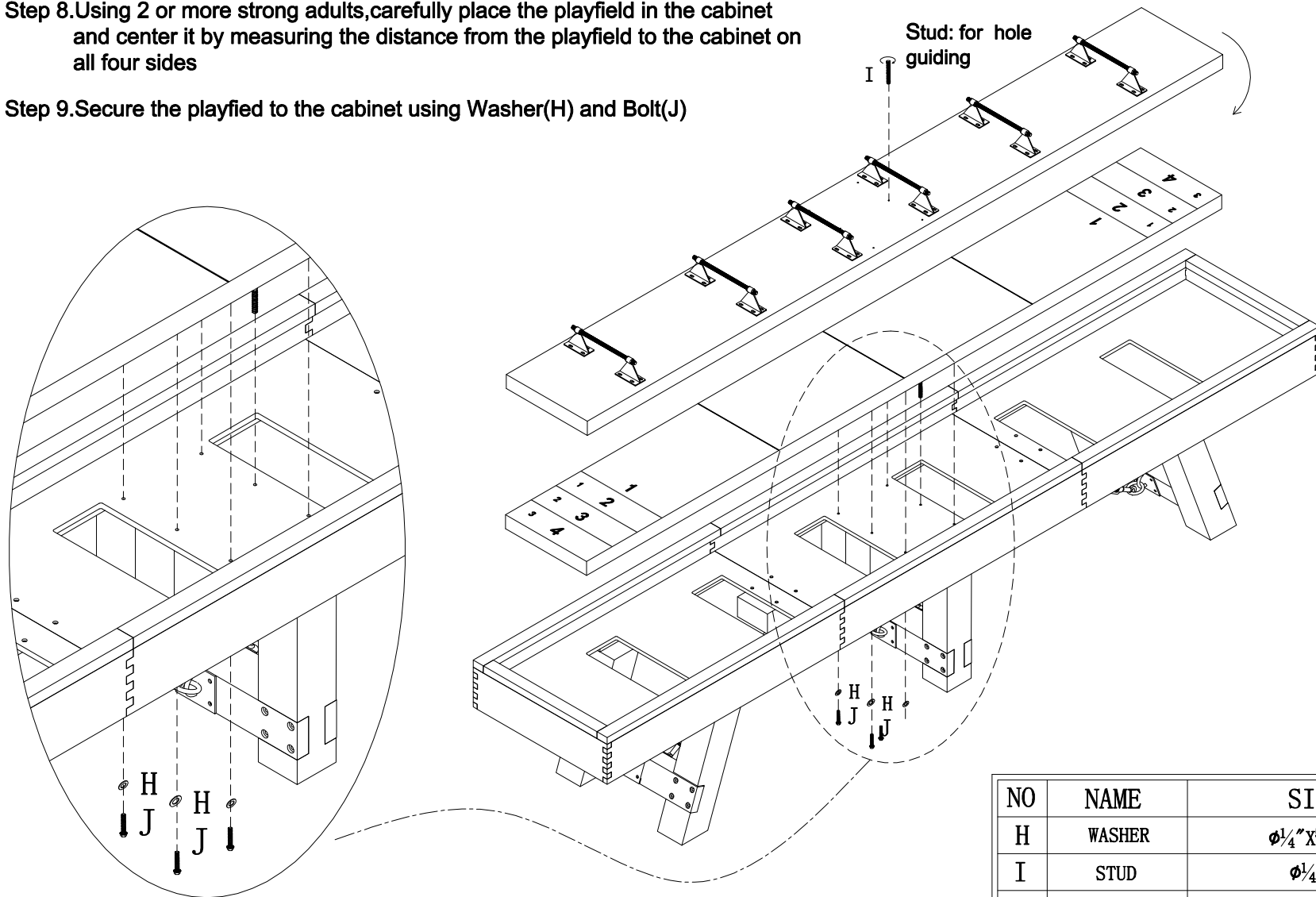
AMERICAN HERITAGE-SAVANNAH SHUFFLEBOARD TABLE-14'




Assembly Instruction

Step 7. Using 2 or more strong adults, carefully turn the cabinet right side up

Step 8. Using 2 or more strong adults, carefully place the playfield in the cabinet and center it by measuring the distance from the playfield to the cabinet on all four sides

Step 9. Secure the playfield to the cabinet using Washer(H) and Bolt(J)

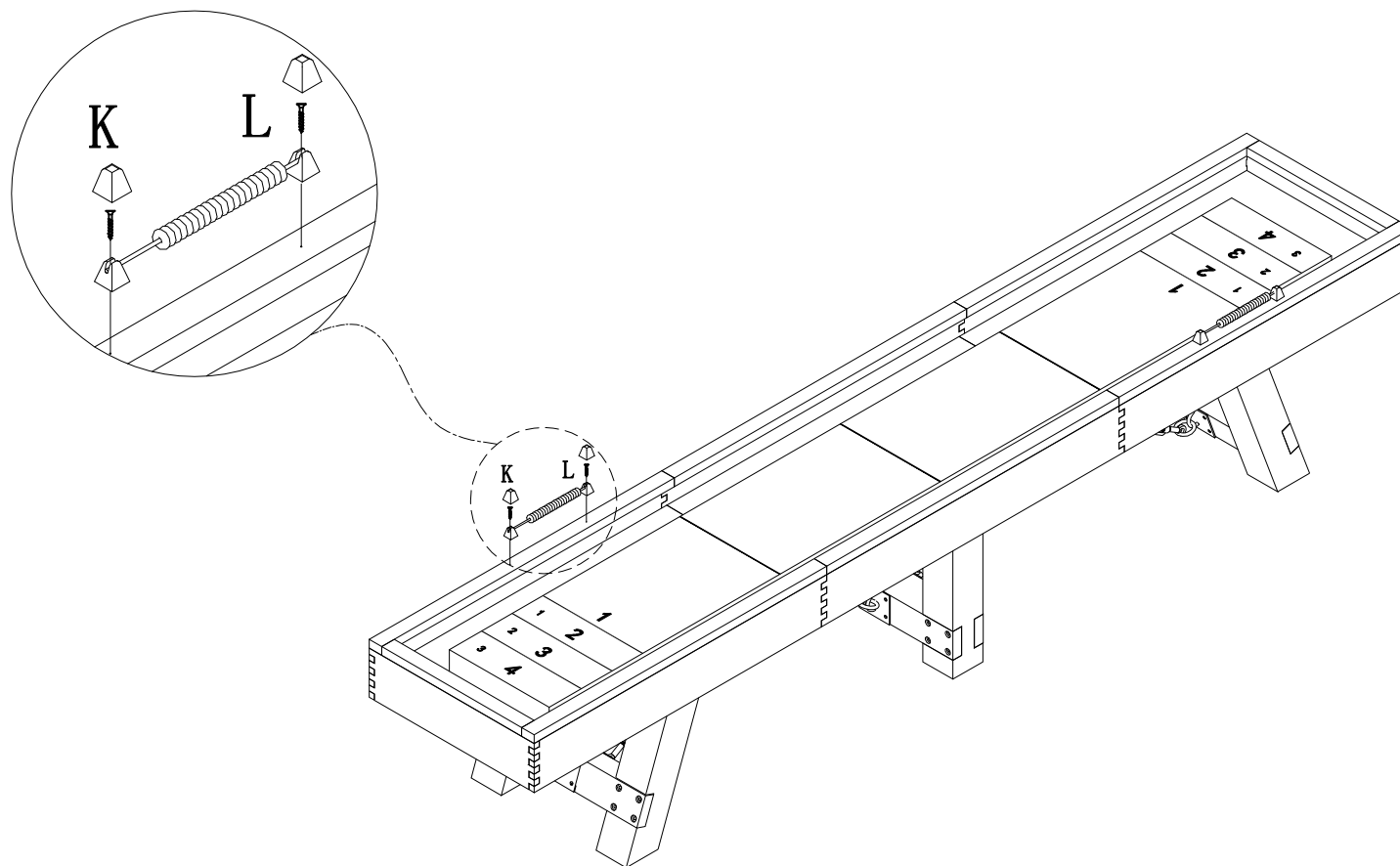




NO	NAME	SIZE	PCS	DRAW
H	WASHER	$\phi\frac{1}{4}$ " X $\frac{5}{8}$ " X 2mm	6	
I	STUD	$\phi\frac{1}{4}$ " X 3"	1	
J	FLANG BOLT	$\phi\frac{1}{4}$ " X 1-3/4"	6	

AMERICAN HERITAGE-SAVANNAH SHUFFLEBOARD TABLE-14'

Assembly Instruction

Step 10. Attach the manual scoring units to the cabinet using Screw(L)



NO	NAME	SIZE	PCS	DRAW
K	SCORE UNIT		2	
L	SCREW	#6X1"	4	