

— EST. 1987 —

# A H B

HOME FURNITURE COLLECTIONS

## ASSEMBLY INSTRUCTIONS

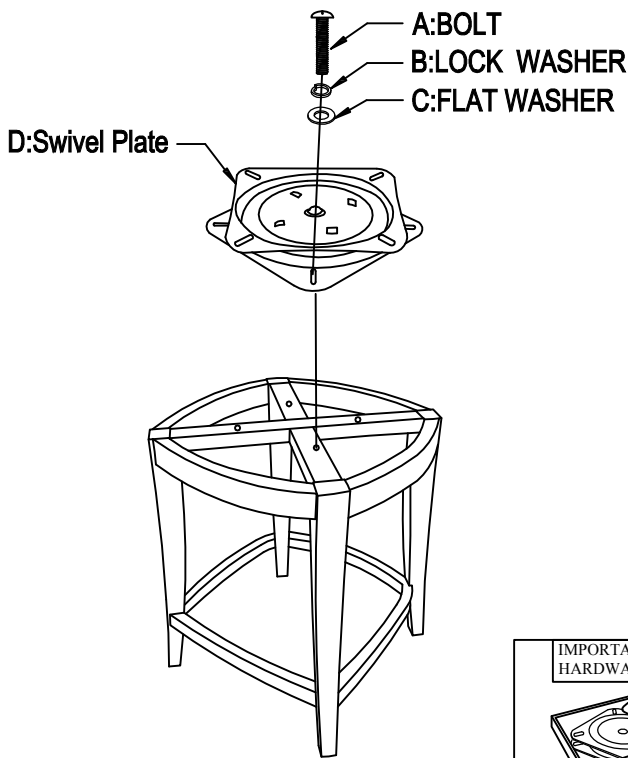
### JORDAN STOOL

LOOSELY ATTACH EACH SCREW UNTIL FRAME IS ASSEMBLED THEN TIGHTEN WHEN COMPLETE

**1**

**STEP 1**

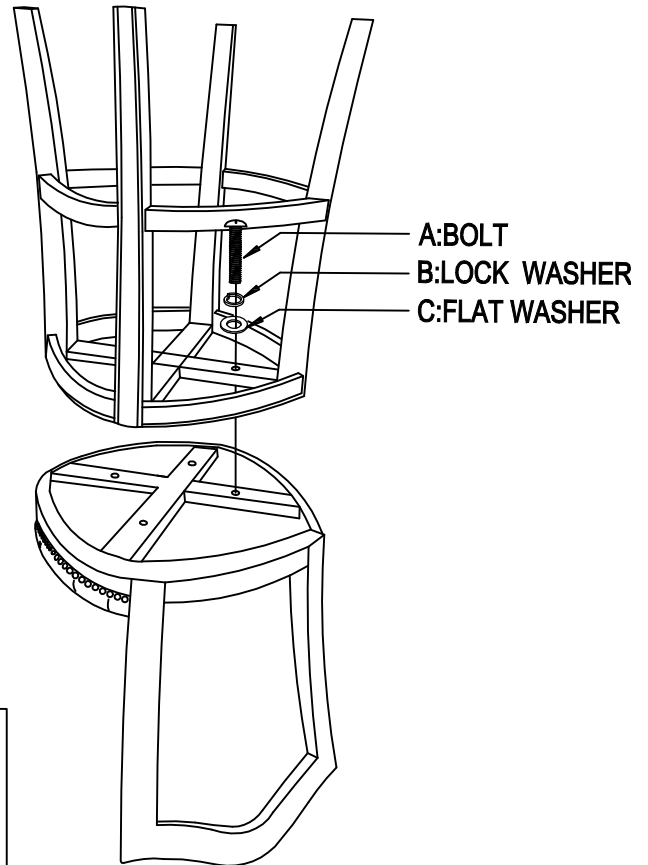
1) Attach swivel plate (D) to the bar stool base using the four bolts (A) and then lock washer (B) & flat washer (C). Tighten all bolts evenly and then turn each bolt 1/4 turn for final fasten.



**2**

**STEP 2**

2) Attach bar stool seat to swivel plate, which is now attached to the bar stool base. Attach bar stool seat using four short bolts (A) and then lock washers (B) & flat washers (C). Tighten all bolts evenly and then turn each bolt 1/4 turn evenly for final fasten.







IMPORTANT NOTE:  
HARDWARE PACK LOCATON

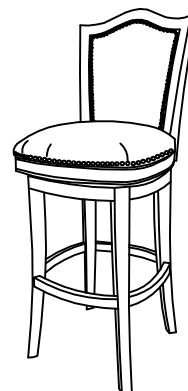


Hardware Box

\* PLEASE READ INSTRUCTION PRINTED ON SWIVEL PLATE  
HARDWARE PACK  
CHECK THAT THE FOLLOWING PARTS ARE IN CARTON

**PARTS LIST**

PARTS LIST				
A		BOLT	1/4"*7/8"	8PCS
B		LOCK WASHER	1/4"	8PCS
C		FLAT WASHER	1/4"*16mm	8PCS
D		SWIVEL PLATE	8"*8"*22mm	1PC



**MADE IN CHINA**