

— EST . 1987 —

A H B

HOME FURNITURE COLLECTIONS

ASSEMBLY INSTRUCTIONS

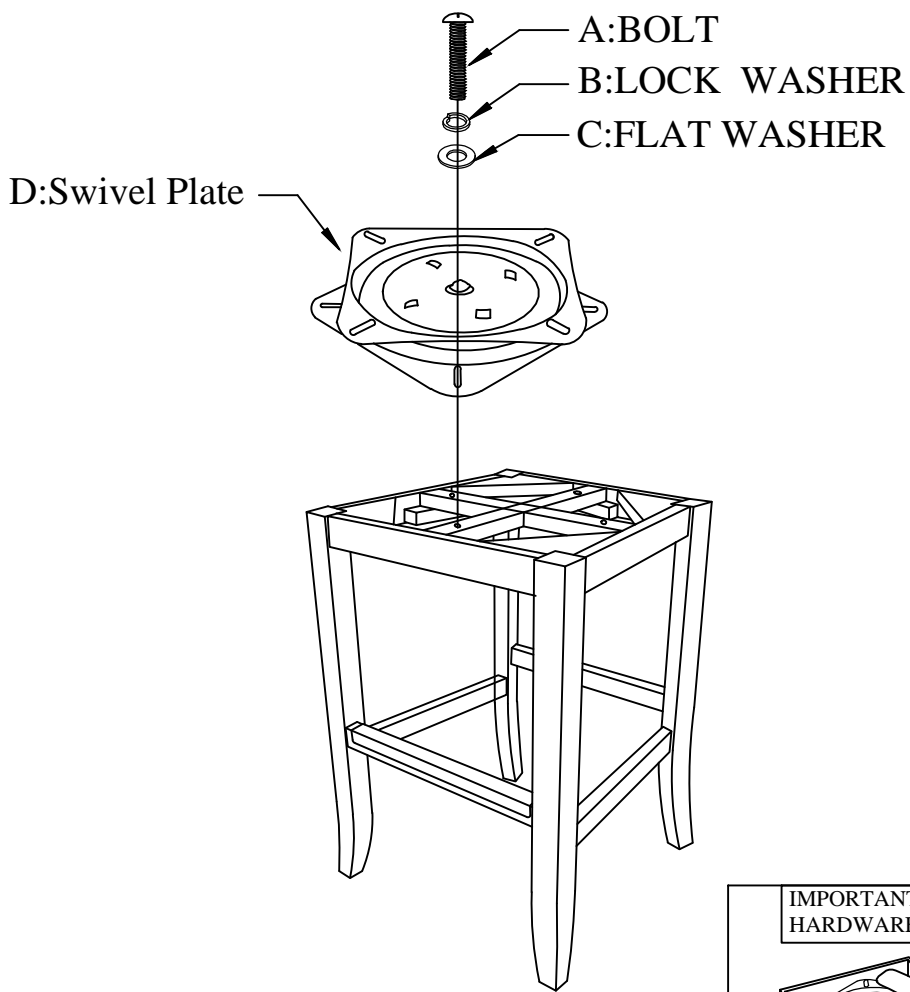
MASON STOOL

LOOSELY ATTACH EACH SCREW UNTIL FRAME IS ASSEMBLED THEN TIGHTEN WHEN COMPLETE

1

STEP 1

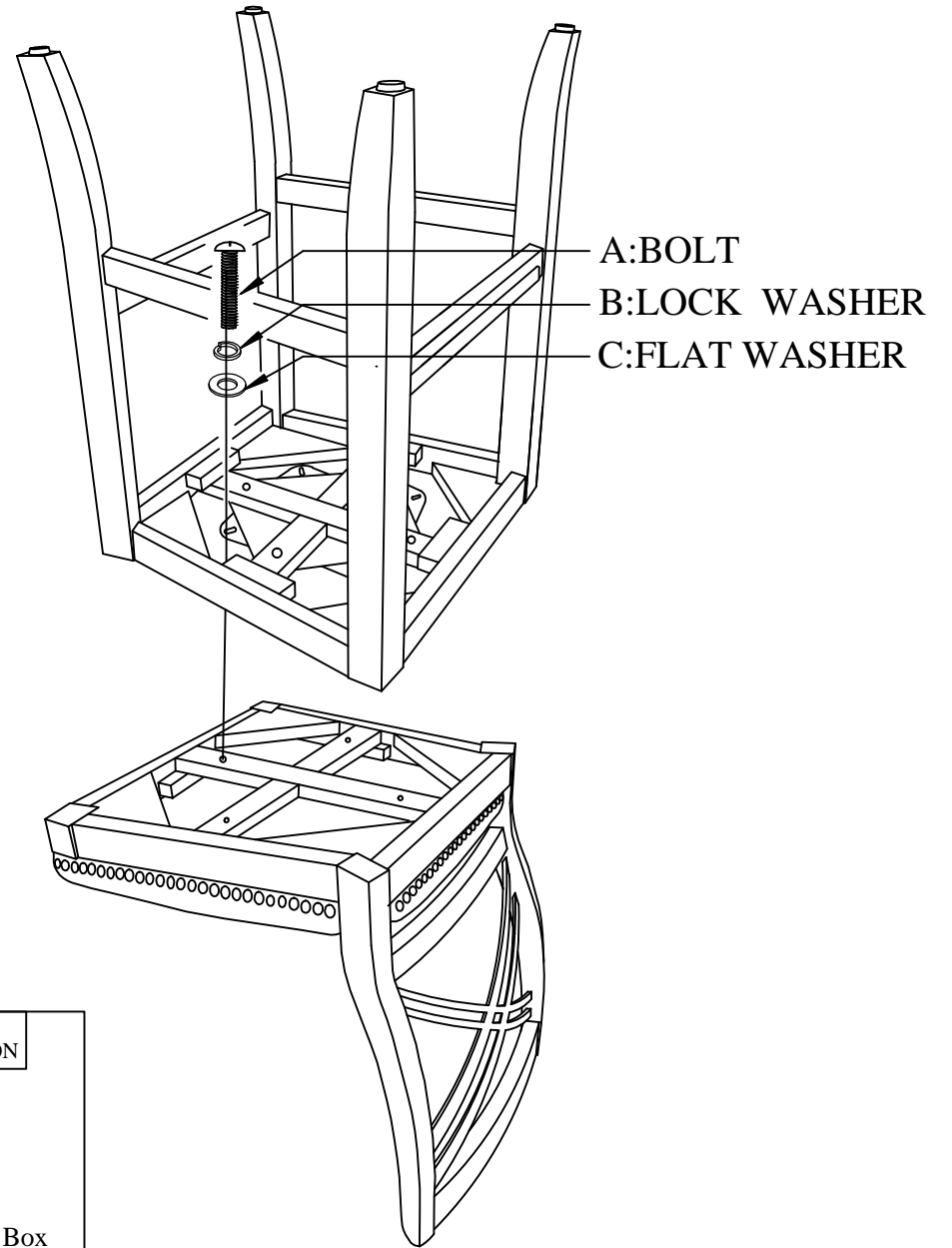
1) Attach swivel plate (D) to the bar stool base using the four bolts (A) and then lock washer (B) & flat washer (C). Tighten all bolts evenly and then turn each bolt 1/4 turn for final fasten.



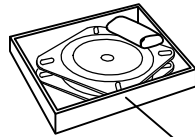
2

STEP 2

2) Attach bar stool seat to swivel plate, which is now attached to the bar stool base. Attach bar stool seat using four bolts (A) and then lock washers (B) & flat washers (C). Tighten all bolts evenly and then turn each bolt 1/4 turn evenly for final fasten.



IMPORTANT NOTE:
HARDWARE PACK LOCATON

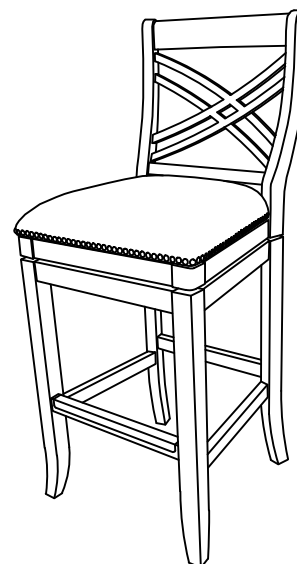


Hardware Box

* PLEASE READ INSTRUCTION PRINTED ON SWIVEL PLATE
HARDWARE PACK
CHECK THAT THE FOLLOWING PARTS ARE IN CARTON

PARTS LIST

PARTS LIST				
A		BOLT	1/4"*7/8"	8 PCS
B		LOCK WASHER	1/4"	8 PCS
C		FLAT WASHER	1/4"*16mm	8 PCS
D		SWIVEL PLATE	10"*10"*25mm	1 PC



MADE IN CHINA