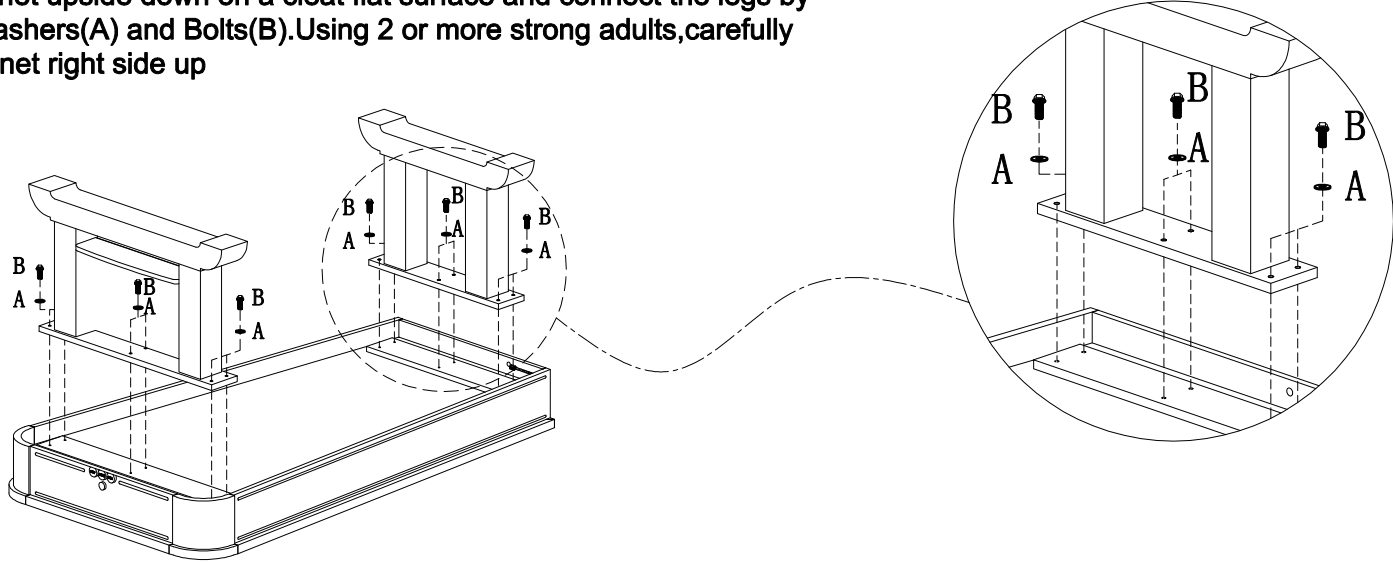
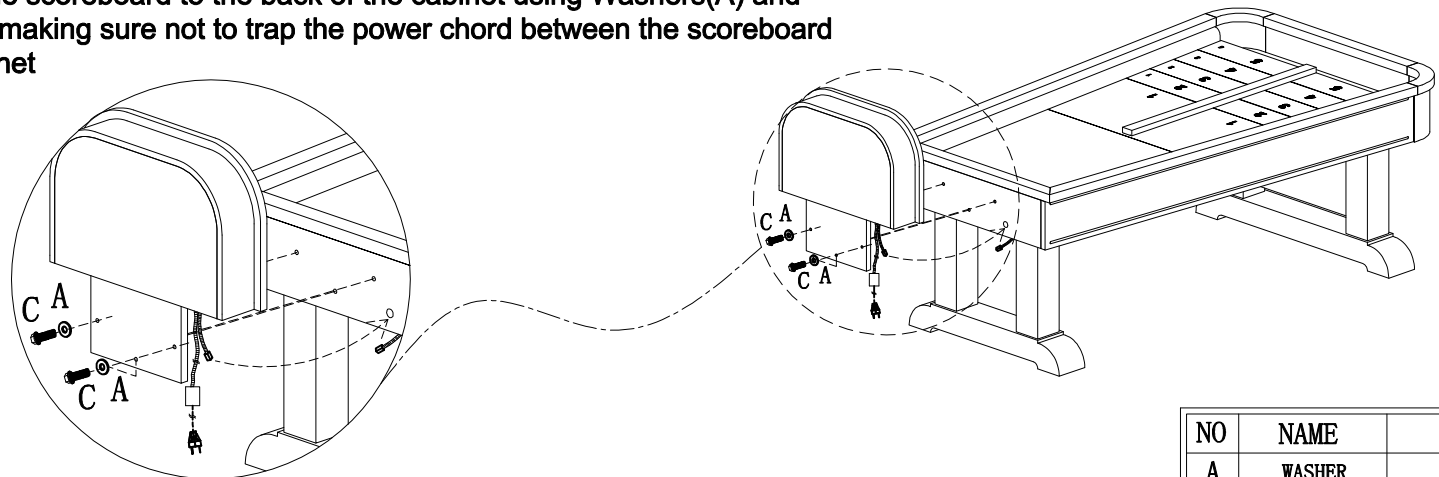





AMERICAN HERITAGE-NEW BUMPER SHUFFLEBOARD TABLE ASSEMBLY INSTRUCTION

Step 1. Lay the cabinet upside down on a cleat flat surface and connect the legs by using the Washers(A) and Bolts(B). Using 2 or more strong adults, carefully turn the cabinet right side up



Step 2. Attach the scoreboard to the back of the cabinet using Washers(A) and Bolts(C) making sure not to trap the power chord between the scoreboard and cabinet



NO	NAME	SIZE	PCS	DRAW
A	WASHER	ø5/16"X3/4"X2mm	15	
B	FLANG BOLT	ø5/16"X1-3/4"	12	
C	FLANG BOLT	ø5/16"X1-1/4"	3	

AMERICAN HERITAGE-NEW BUMPER SHUFFLEBOARD TABLE ASSEMBLY INSTRUCTION

Step 3. Plug in the power chord and enjoy!

