

— EST. 1987 —

DATE: 10/11/2013

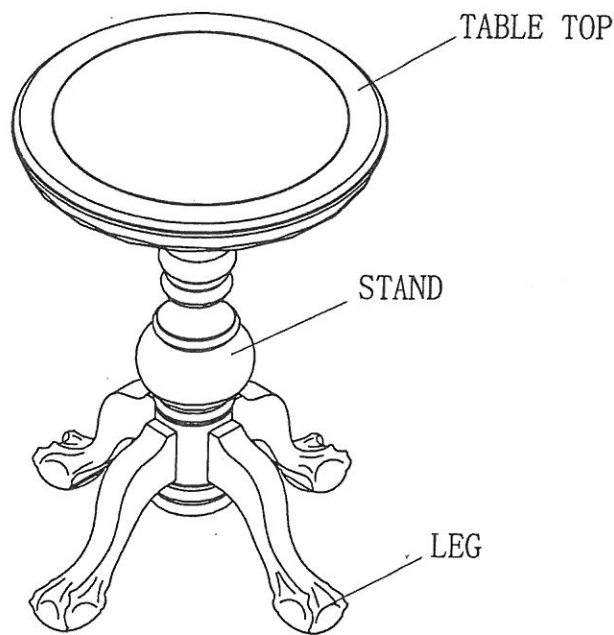
AHB

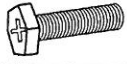

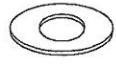
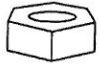
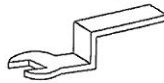
HOME FURNITURE COLLECTIONS

ASSEMBLY INSTRUCTIONS

RAVELLO PUB TABLE

LOOSELY ATTACH EACH BOLT UNTIL FRAME IS ASSEMBLED, THEN TIGHTEN WHEN COMPLETE



HARDWARE LIST		SIZE	QTY	OUTLOOK
A	BOLT	ø5/16" * 1-1/4"	3	
B	SPRING WASHER	ø5/16"	11	
C	FLAT WASHER	ø5/16" * 19mm	11	
D	NUT	ø5/16"	8	
E	OPEN-HEAD WRENCH	12mm	1	

— EST. 1987 —

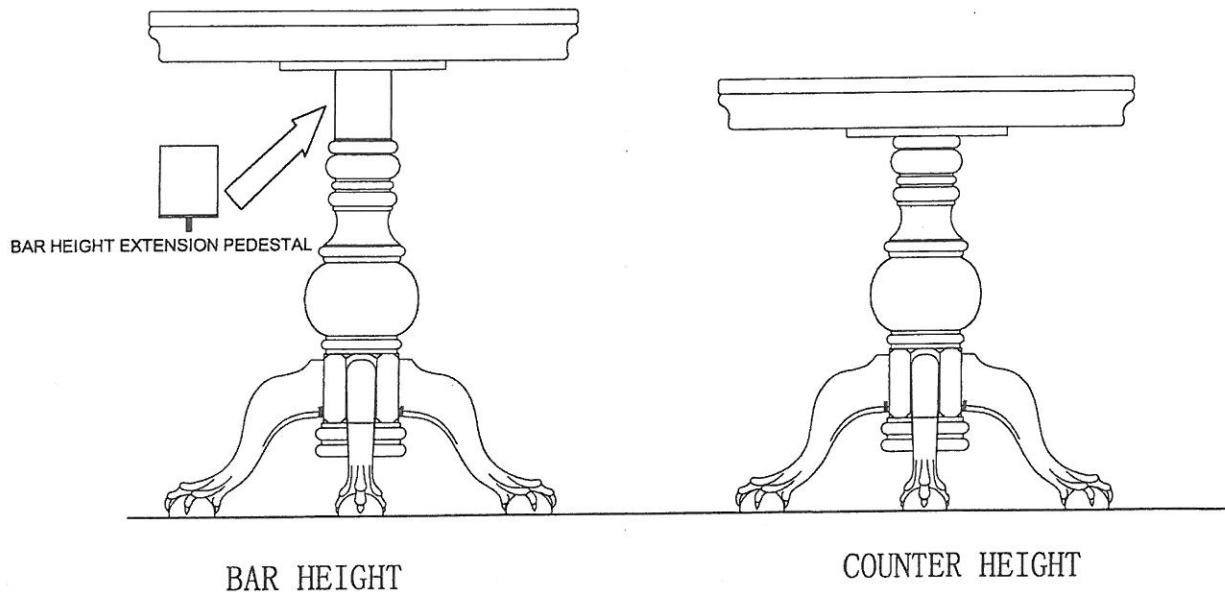
AHB

HOME FURNITURE COLLECTIONS

ASSEMBLY INSTRUCTIONS

RAVELLO PUB TABLE

LOOSELY ATTACH EACH BOLT UNTIL FRAME IS ASSEMBLED, THEN TIGHTEN WHEN COMPLETE



— EST. 1987 —

DATE: 10/11/2013

AHB

HOME FURNITURE COLLECTIONS

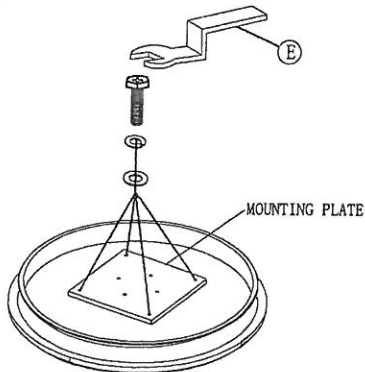
ASSEMBLY INSTRUCTIONS

RAVELLO PUB TABLE

LOOSELY ATTACH EACH BOLT UNTIL FRAME IS ASSEMBLED, THEN TIGHTEN WHEN COMPLETE

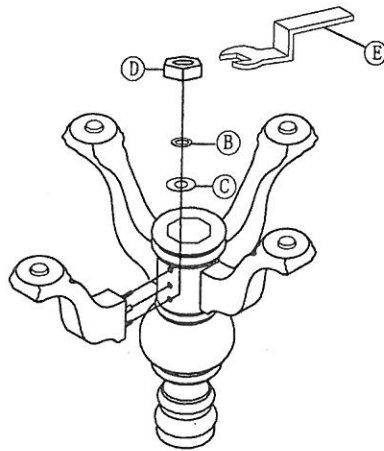
STEP 1 :

UNSCREW THE MOUNTING PLATE FROM THE BOTTOM OF TABLE TOP .



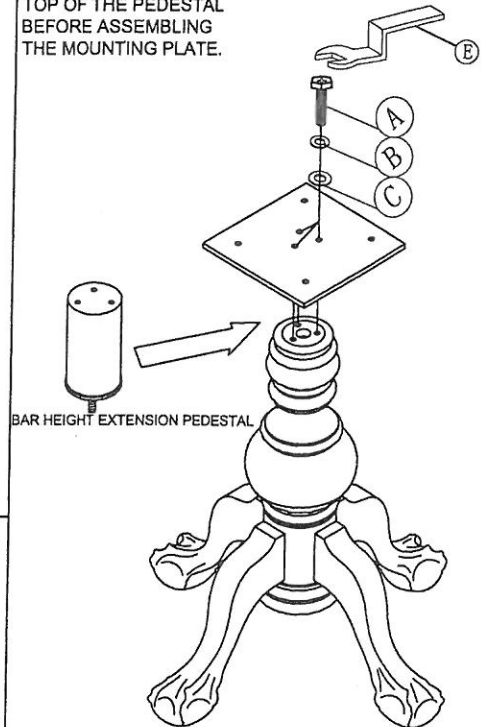
STEP 2 :

ASSEMBLE LEGS TO THE STAND WITH OPEN-HEAD WRENCH(E) , FLAT WASHER(C), SPRING WASHER(B), AND NUT(D) AS SHOWN.



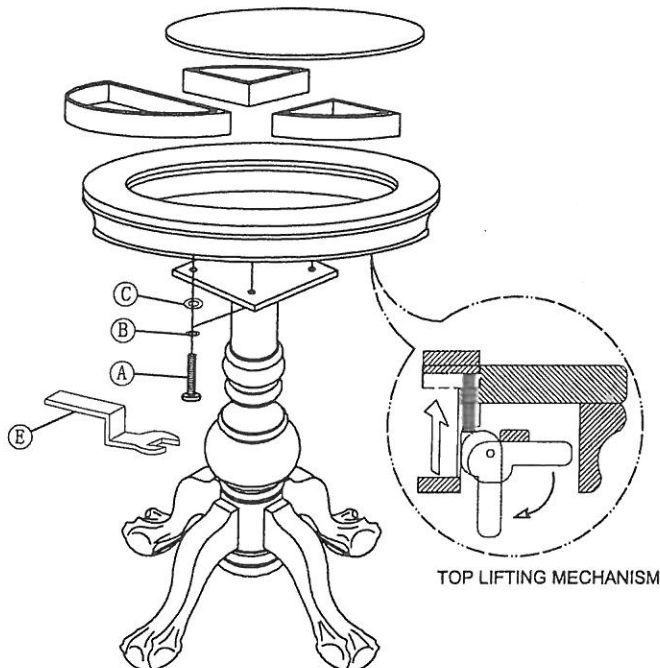
STEP 3 :

ASSEMBLE THE MOUNTING PLATE TO STAND USING FLAT WASHER(C), SPRING WASHER(B), BOLT(A) AND OPEN-HEAD WRENCH(E) AS SHOWN. IF YOU WISH TO MAKE YOUR RAVELLO PUB A BAR HEIGHT TABLE, HAND TIGHTEN THE BAR HEIGHT EXTENSION PEDESTAL TO THE TOP OF THE PEDESTAL BEFORE ASSEMBLING THE MOUNTING PLATE.



STEP 4 :

ASSEMBLE THE BASE TO THE TABLE TOP USING FLAT WASHER(C), SPRING WASHER(B), BOLT(A) AND OPEN-HEAD WRENCH(E) AS SHOWN.



STEP 5 :

ASSEMBLY IS COMPLETE.

