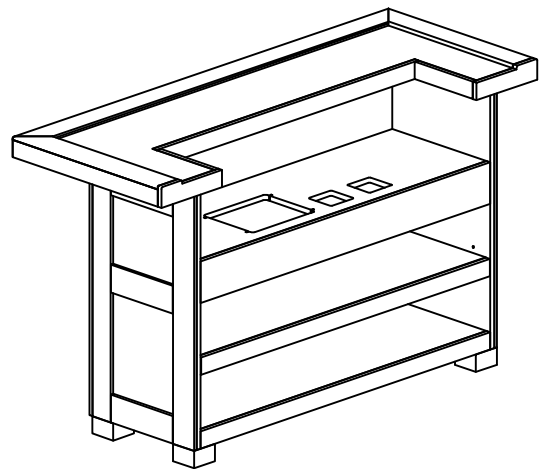
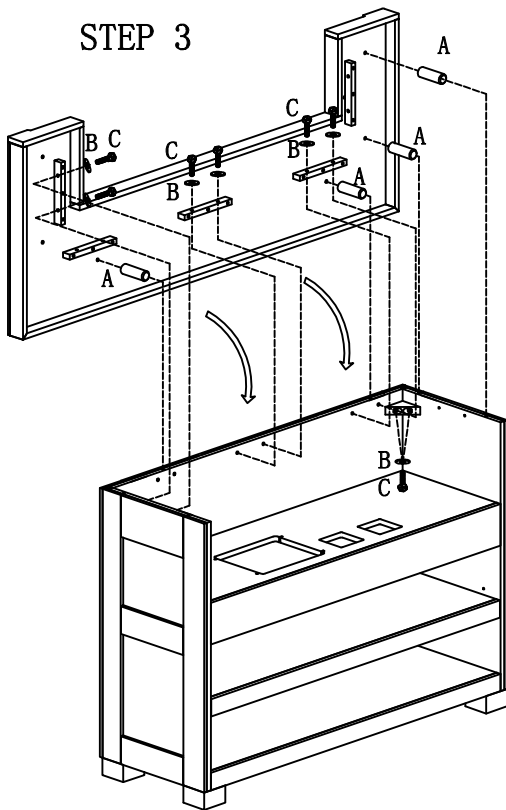
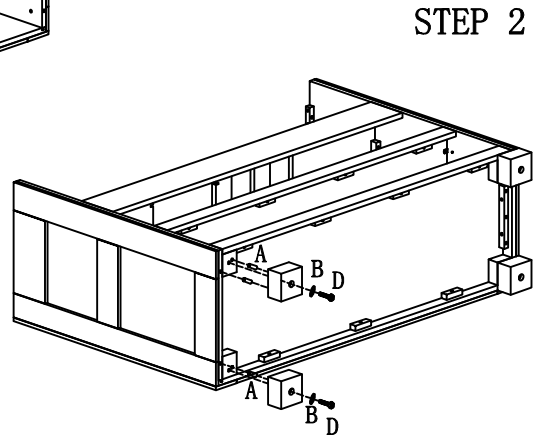
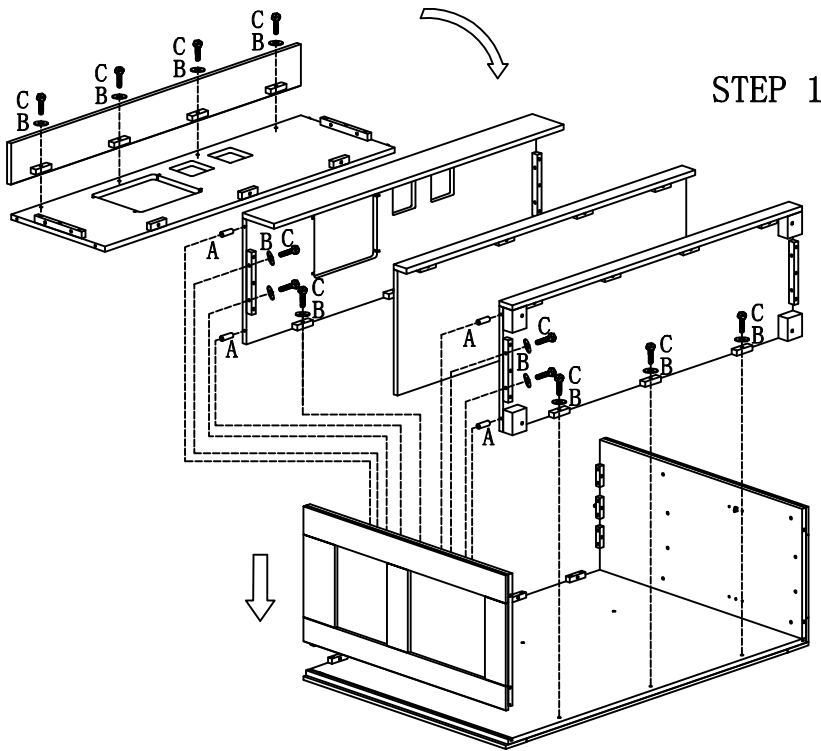


# #7237-72" PASADENA BAR ASSEMBLY INSTRUCTION



NO.	SKETCH	SPEC	QT' Y
A		Ø10MM*30MM	22
B		Ø5/16"*Ø3/4"*2MM	44
C		Ø5/16"*1-1/4"	40
D		Ø5/16"*3-3/4"	4