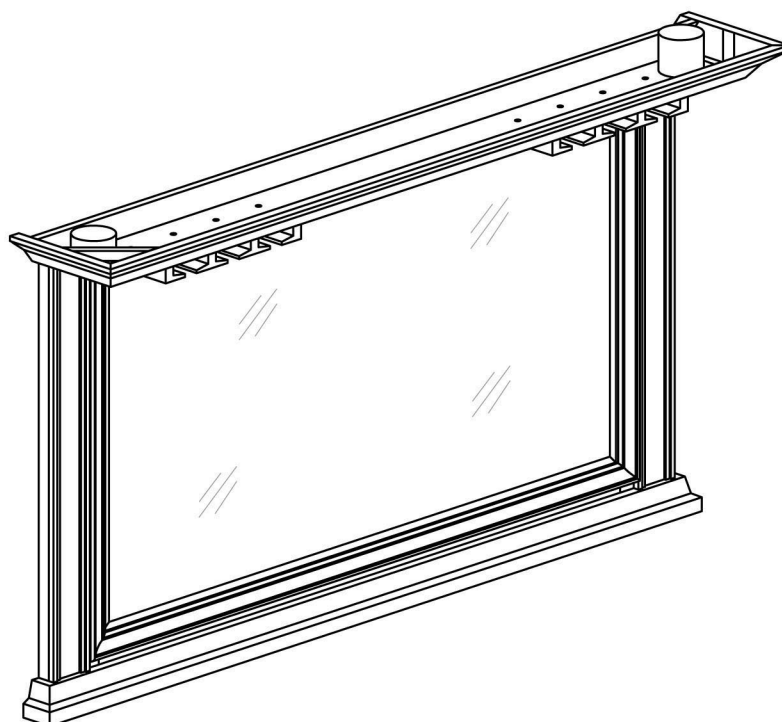







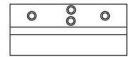

# A H B

HOME FURNITURE COLLECTIONS

ASSEMBLY INSTRUCTIONS

## RIVIERA MIRROR



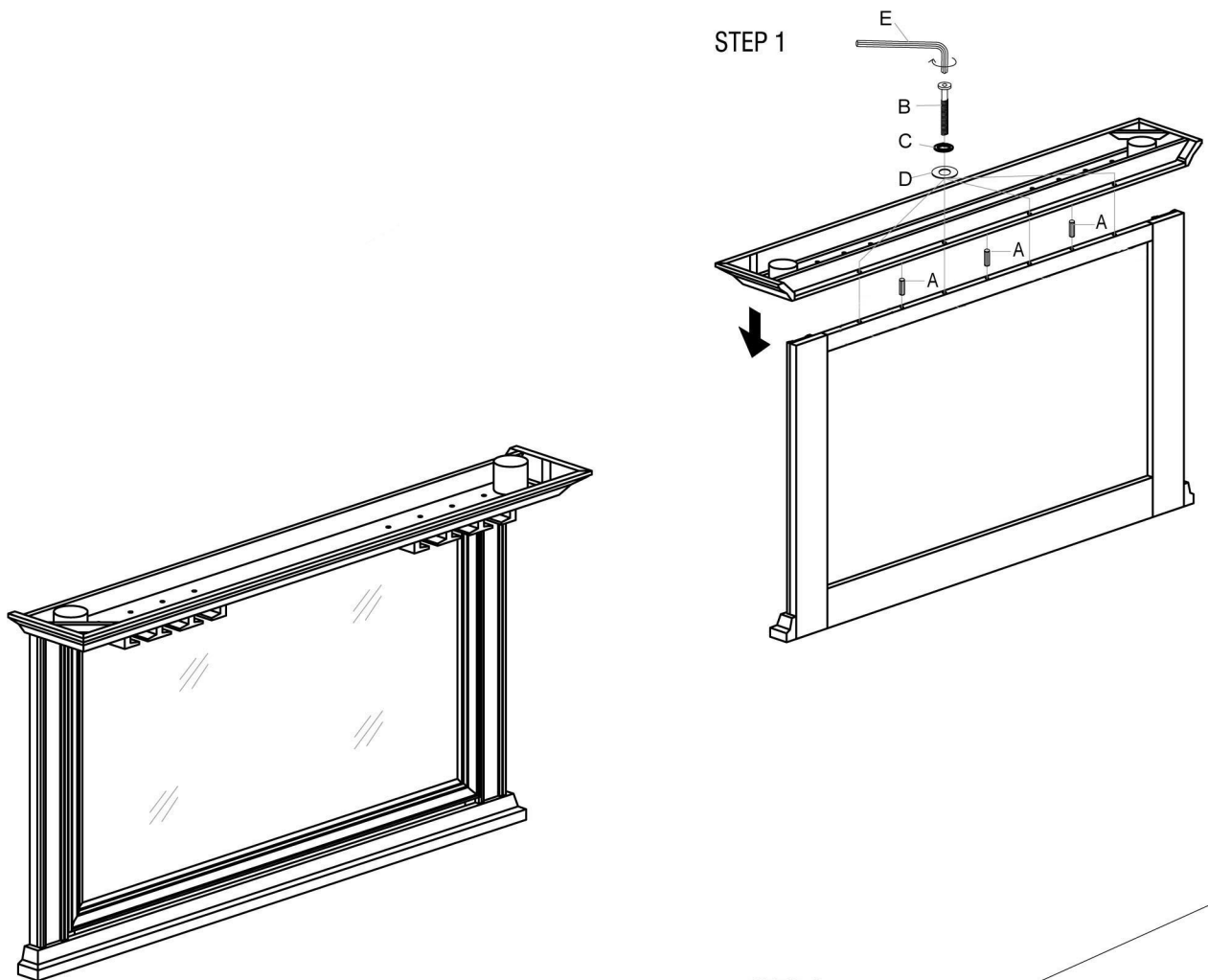
HARDWARE LIST		QTY	OUTLOOK	
A	DOWEL	3		Ø10*30mm
B	JCBC BOLT	4		Ø1/4"*2"
C	SPRING WASHER	4		Ø1/4"
D	FLAT WASHER	4		Ø1/4"
E	ALLEN KEY	1		4mm
F	MOUNTING BRACKET	2		76*48*1.2mm
G	WOOD SCREW	8		#8*1"

# A H B

HOME FURNITURE COLLECTIONS

ASSEMBLY INSTRUCTIONS

## RIVIERA MIRROR



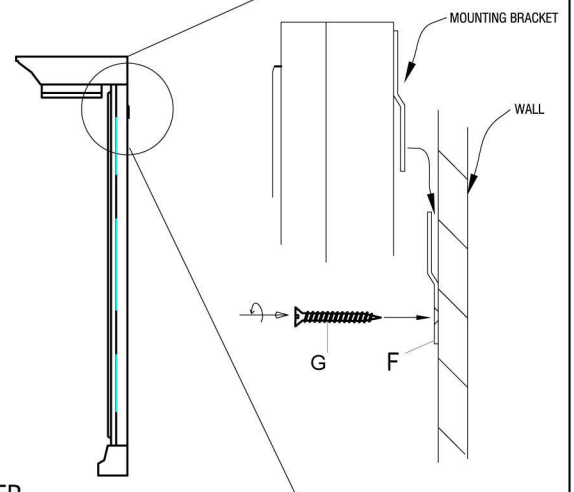
STEP 1: ATTACH CROWN TO MIRROR BASE BY BOLT(B) SPRING WASHER (C) FLAT WASHER (D) AND DOWEL(A), TIGHTEN BY ALLEN WRENCH(E) AS SHOWN STEP 1

STEP 2: THE MOUNTING BRACKET PRE-ATTACHED TO THE BACK OF THE MIRROR ARE LOCATED 32" ON CENTRE TO FACILITATE STUD MOUNTING, WHICH IS RECOMMENDED.

FOR STUD MOUNTING, LOCATE THE STUD CENTRES AND SECURELY ATTACH THE MOUNTING BRACKETS USING THE PROVIDED WOOD SCREWS. FOR STUD MOUNTING USE THE MIDDLE (2) HOLES ON THE BRACKET, USE SCREW (G) TO ATTACHE MOUNTING BRACKETS (F) IF YOU ARE UNABLE TO MOUNT THE MIRROR USING STUDS, DRYWALL ANCHORS MUST BE USED TO SAFETY SUPPORT THE WEIGHT OF THE MIRROR. FOR DRYWALL ANCHOR MOUNTING PLEASE USE THE OUTSIDE (2) HOLES ON THE BRACKET.

HANG MIRROR ON WALL AS SHOWN.  
MAKE SURE MIRROR IS SECURE.

### STEP 2



**\* IMPORTANT** PLS STRONGLY TIGHTEN USING ALLEN KEY & SCREWDRIVER