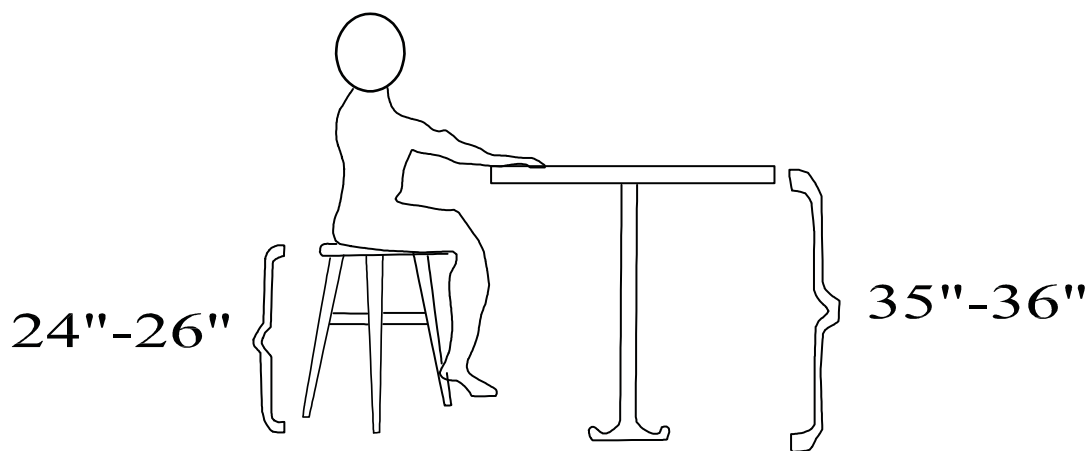


AHB

HOME FURNITURE COLLECTIONS ASSEMBLY INSTRUCTIONS EASTON DUAL HEIGHT STOOL

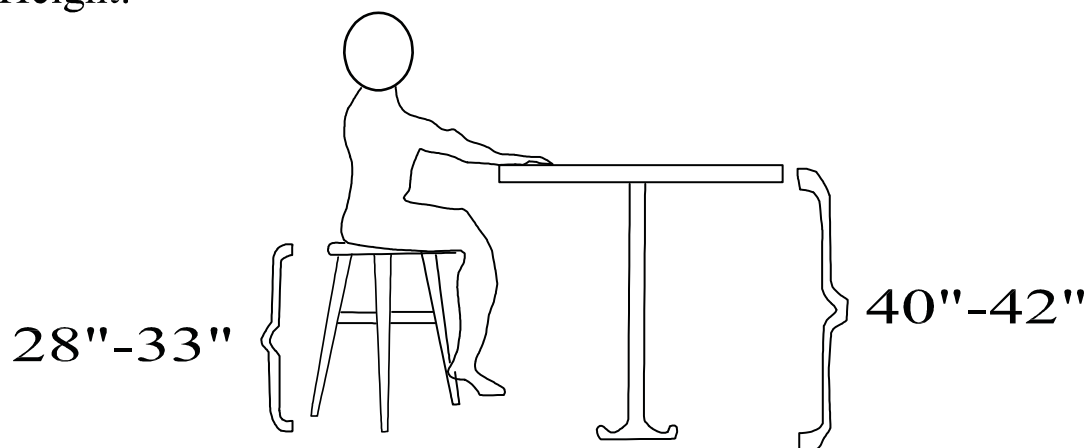
What Height is right for your table surface?

Counter Height:



Counter Height Tables are typically around 35"-36" high. Therefore, the counter stools that match these tables are usually in the 24"-26" range. Counter Height furniture is typically used in casual dining setups, pub sets, and home kitchen islands.

Bar Height:



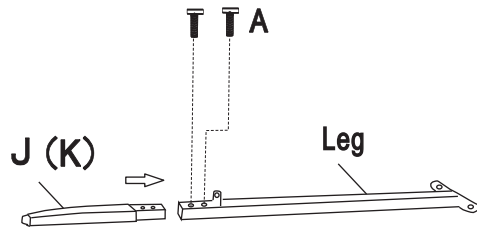
Bar Height Tables are typically around 40"-42" in height. Correspondingly, the bar stools are in the 28"-33" range. Bar height furniture is most commonly used with home bars but can also be found in some pub sets, tiered islands, and counter set ups.

A H B

HOME FURNITURE COLLECTIONS ASSEMBLY INSTRUCTIONS EASTON DUAL HEIGHT STOOL

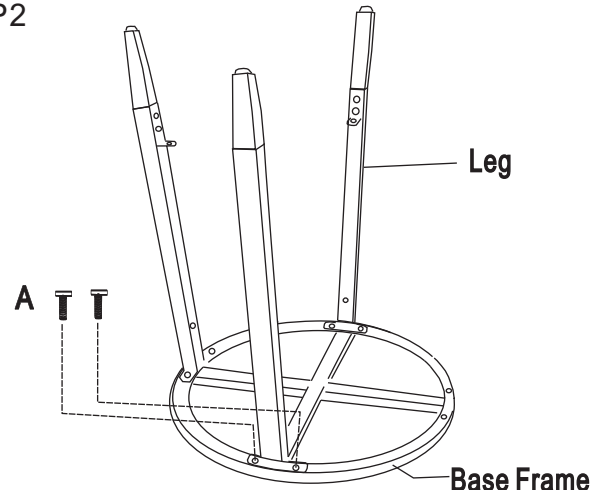
LOOSELY ATTACH SCREW UNTIL FRAME IS ASSEMBLED THEN TIGHTEN WHEN COMPLETE

STEP 1



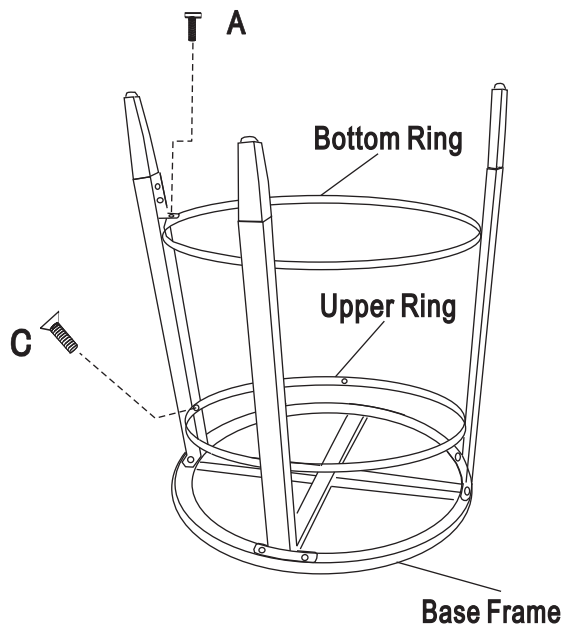
See Page 1 to determine the correct height you wish to assemble your stool. Insert four short feet (J) for counter height or long feet (K) for bar height in to the legs and secure by using short allen bolt (A) as shown

STEP 2



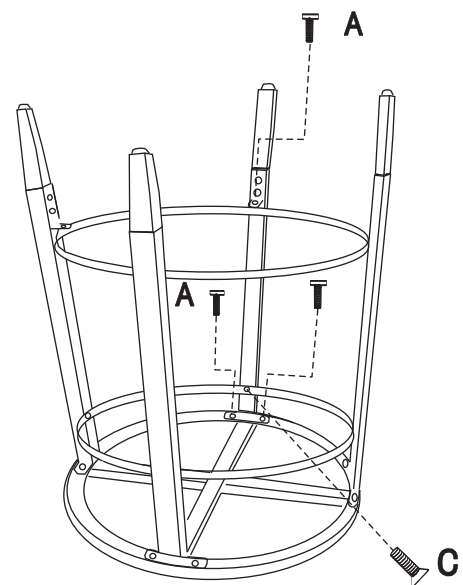
Attach three legs to base frame by using short allen bolt (A) as shown

STEP 3



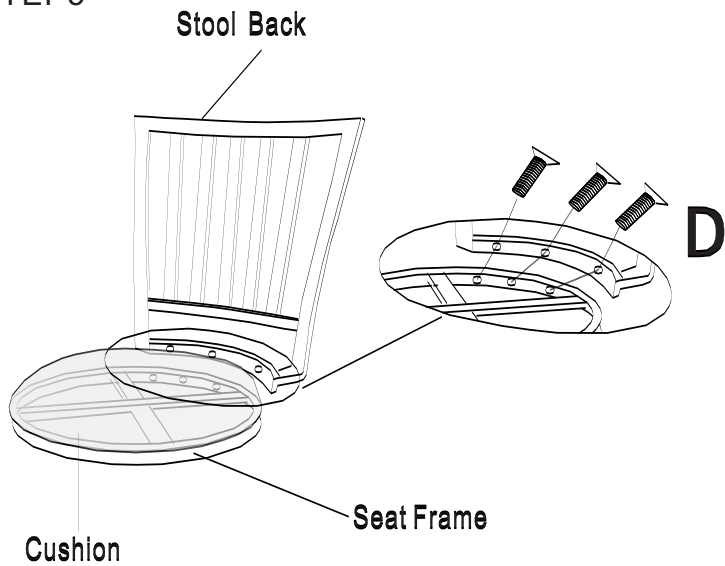
Assemble upper ring to legs by using long bolt (C), and bottom ring to legs by using short allen bolt (A) as shown

STEP 4



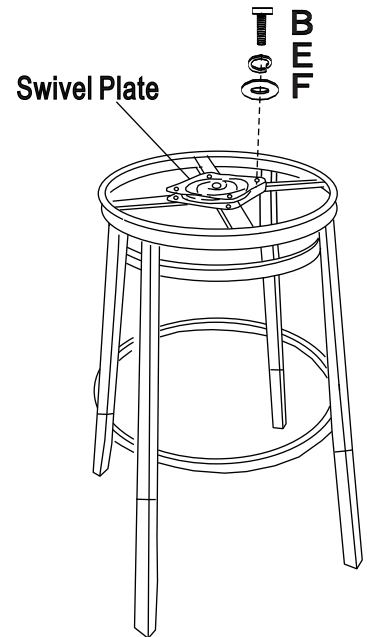
Repeat steps 2 and 3 for the fourth leg as shown

STEP5



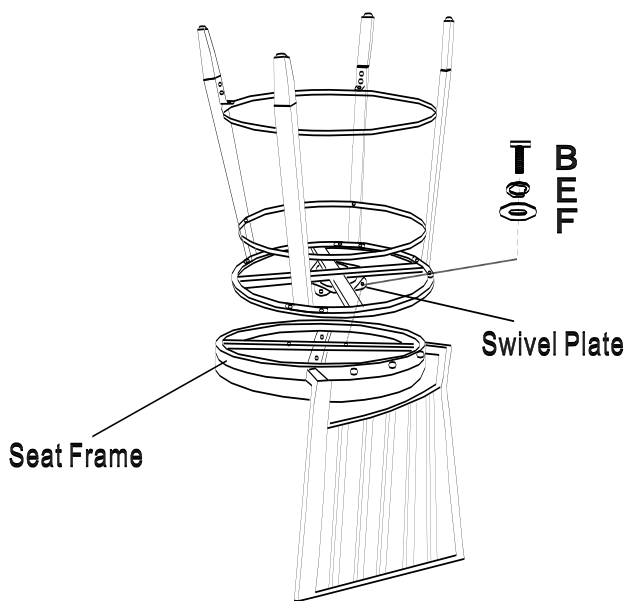
Attach stool back to the seat frame by using short bolts (D) as shown.

STEP6



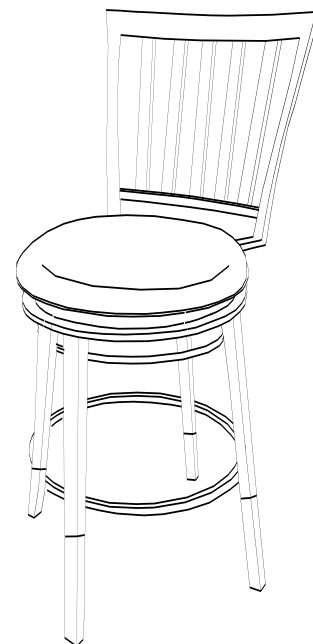
Attach swivel plate to base frame by using long allen bolt (B), spring washer (E) and flat washer (F) as shown.

STEP7

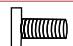
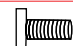
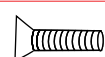




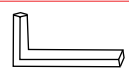
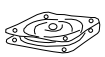




Attach swivel plate to seat frame by using long allen bolt (B), spring washer (E) and washer (F) as shown.

STEP8



Verify all bolts are tight, then turn the stool up right and the assembly is complete.

<p>A</p>  <p>Short Allen Bolt 1/4**12mm 20 PCS</p>	<p>B</p>  <p>Long Allen Bolt 1/4**15mm 8 PCS</p>	<p>C</p>  <p>Long Bolt 1/4**25mm 4 PCS</p>	<p>D</p>  <p>Short Bolt 5/16**20mm 3 PCS</p>	<p>E</p>  <p>Spring Washer 1/4" 8 PCS</p>	<p>F</p>  <p>Flat Washer 1/4" 8 PCS</p>	<p>G</p>  <p>Allen Wrench 4mm 1 PC</p>	<p>H</p>  <p>Allen Wrench 5mm 1 PC</p>
<p>I</p>  <p>Swivel Plate 6" 1 PC</p>	<p>J</p>  <p>Short Feet 4 PCS</p>	<p>K</p>  <p>Long Feet 4 PCS</p>					