

— EST. 1987 —

A H B

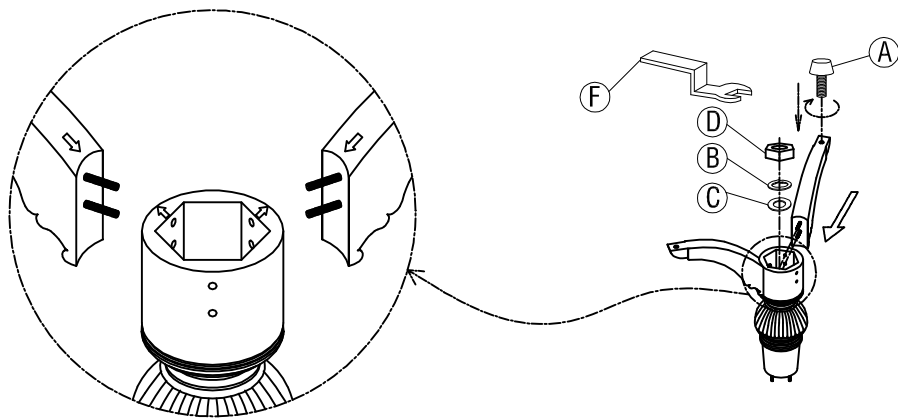
HOME FURNITURE COLLECTIONS

ASSEMBLY INSTRUCTION

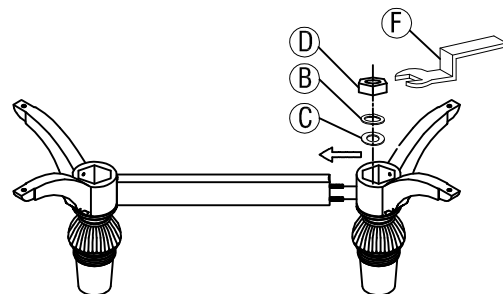
ROYALE TABLE

LOOSELY ATTACH EACH BOLT UNTIL FRAME IS ASSEMBLED, THEN TIGHTEN WHEN COMPLETE

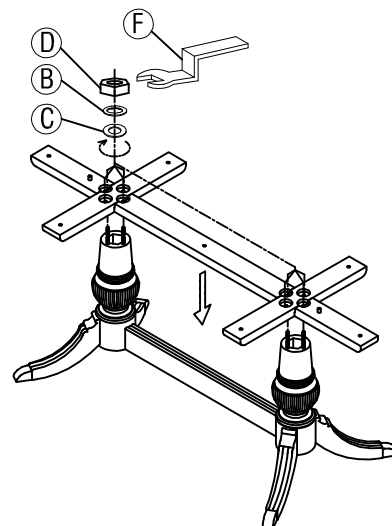
STEP 1 Insert the Legs in to the Pedestal using the white arrows for proper placement



STEP 2



STEP 3



— EST. 1987 —

A H B

HOME FURNITURE COLLECTIONS

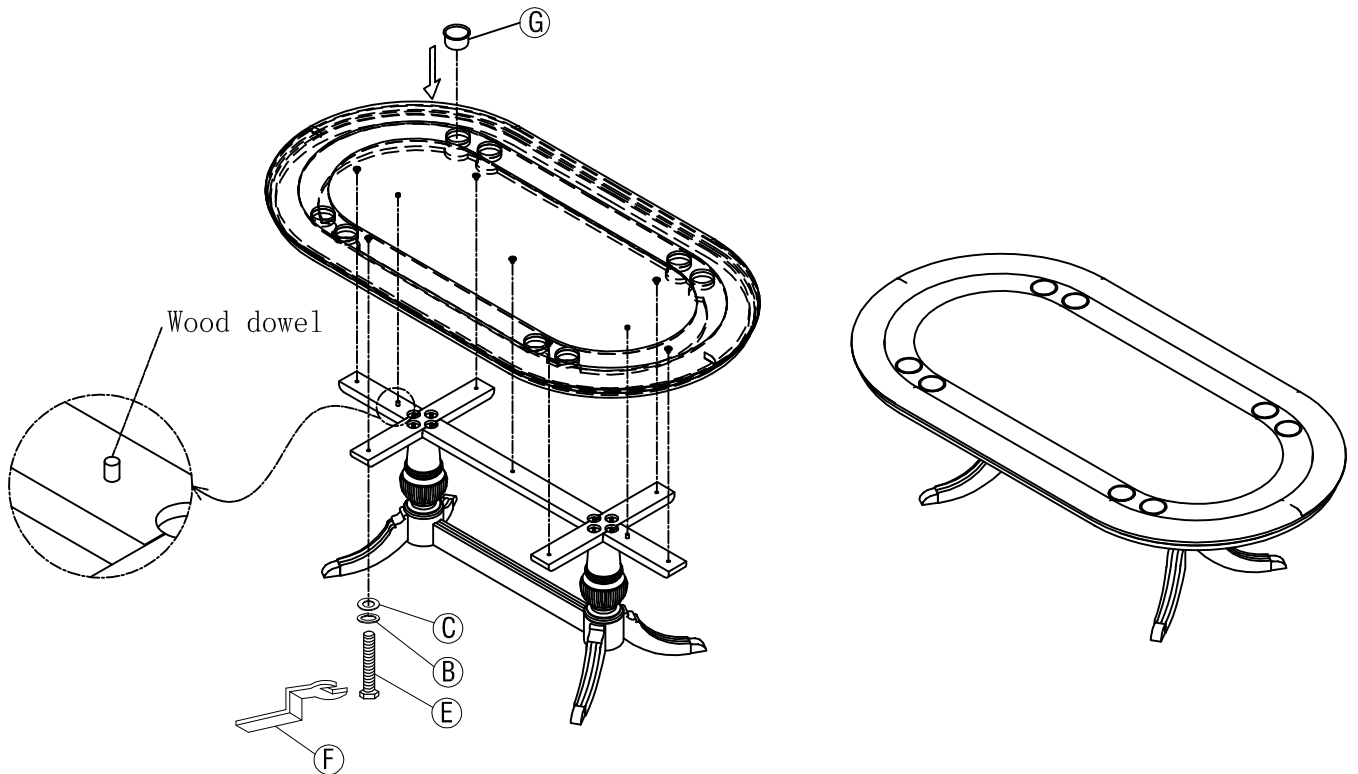
ASSEMBLY INSTRUCTION

ROYALE TABLE

LOOSELY ATTACH EACH BOLT UNTIL FRAME IS ASSEMBLED, THEN TIGHTEN WHEN COMPLETE

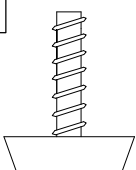
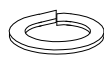

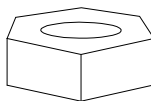
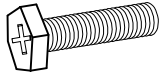
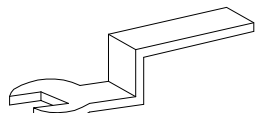
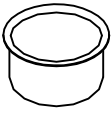
STEP 4

STEP 5



MADE IN CHINA

HARDWARE LIST

<p>A</p>  <p>LEG LEVELER Ø1/4"*Ø19mm 4PCS</p>	<p>B</p>  <p>SPRING WASHER Ø5/16" 27PCS</p>	<p>C</p>  <p>FLAT WASHER Ø5/16"*22mm 27PCS</p>	<p>D</p>  <p>NUT Ø5/16" 20PCS</p>	<p>E</p>  <p>BOLT Ø5/16"*1-3/4" 7PCS</p>	<p>F</p>  <p>OPEN-HEAD WRENCH 12mm 1pc</p>	<p>G</p>  <p>CUP HOLDERS Ø102*58mm 8PCS</p>
--	---	--	---	---	--	---