

— EST. 1987 —

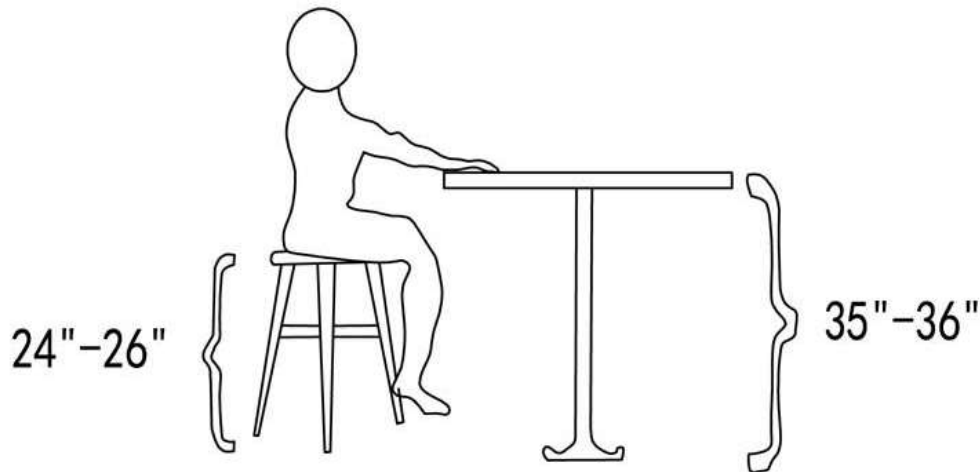
A H B

HOME FURNITURE COLLECTIONS
ASSEMBLY INSTRUCTIONS

ASHLEY STOOL

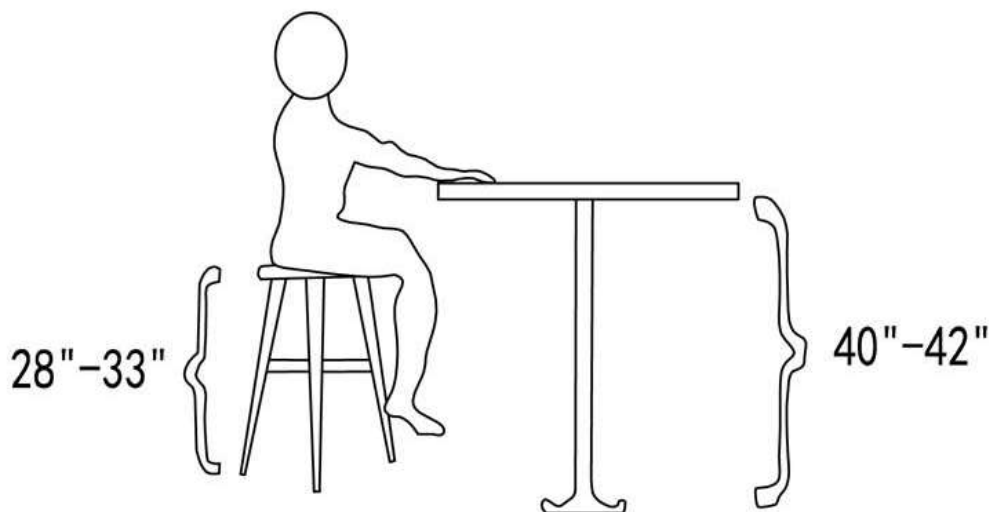
LOOSELY ATTACH EACH SCREW UNTIL FRAME IS ASSEMBLED THEN TIGHTEN WHEN COMPLETE

What Height is right for your table surface?



Counter Height:

Counter Height Tables are typically around 35"-36" high. Therefore, the counter stools that match these tables are usually in the 24-26" range. Counter Height furniture is typically used in casual dining setups, pub sets, and home kitchen islands.



Bar Height:

Bar Height Tables are typically around 40"-42" in height. Correspondingly, the bar stools are in the 28"-33" range. Bar Height furniture is most commonly used with home bars but can also be found in some pub sets and counter set ups.

A H B

HOME FURNITURE COLLECTIONS ASSEMBLY INSTRUCTIONS

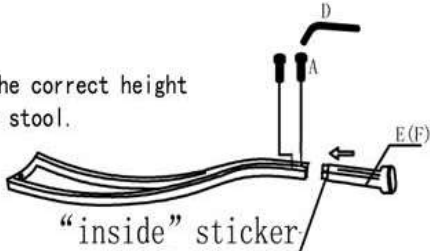
ASHLEY STOOL

LOOSELY ATTACH EACH SCREW UNTIL FRAME IS ASSEMBLED THEN TIGHTEN WHEN COMPLETE

1 STEP:1

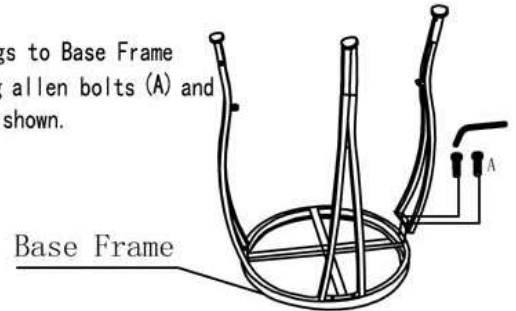
See Page 1 to determine the correct height you wish to assemble your stool.

Insert the four short feet (E) for counter height or long feet (F) for bar height in to the legs and secure by using allen bolts (A) as shown. The "inside" sticker should be facing the interior of the stool. Please remove the sticker prior to assembly.



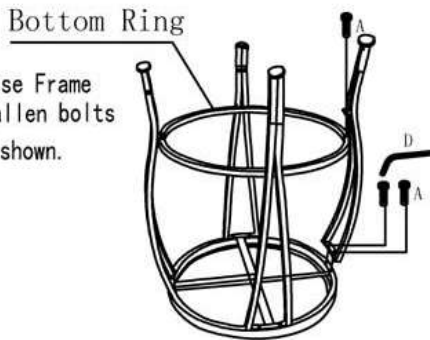
2 STEP:2

Attach the three legs to Base Frame and bottom ring using allen bolts (A) and allen wrench (D) as shown.



3 STEP:3

Attach the 4th leg to Base Frame and Bottom Ring by using allen bolts (A) and allen wrench (D) as shown.



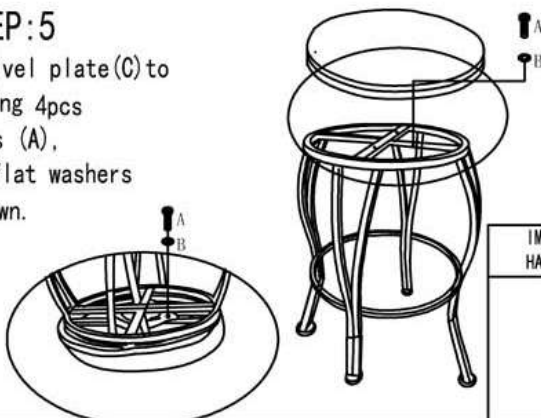
4 STEP:4

Attach swivel plate (C) to chair base by using 4pcs allen bolts (A) and 4pcs flat washers (B) as shown.



5 STEP:5

Attach swivel plate (C) to "X" by using 4pcs allen bolts (A), and 4pcs flat washers (B) as shown.



6 STEP:6

Your stool is complete! Enjoy!



IMPORTANT NOTE:
HARDWARE PACK LOCATION



HARDWARE PACK

MADE IN CHINA

CHECK THAT THE FOLLOWING PARTS ARE IN CARTON

