

HOME FURNITURE COLLECTIONS

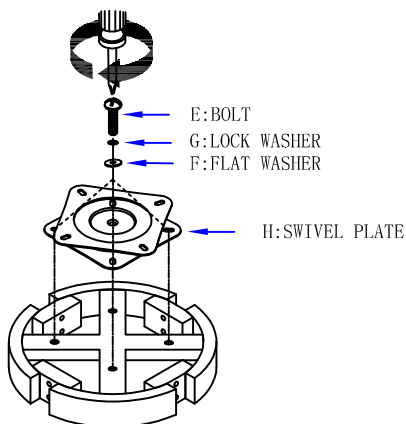
ASSEMBLY INSTRUCTIONS

CHARLOTTE STOOL

LOOSELY ATTACH EACH SCREW UNTIL FRAME IS ASSEMBLED THEN TIGHTEN WHEN COMPLETE

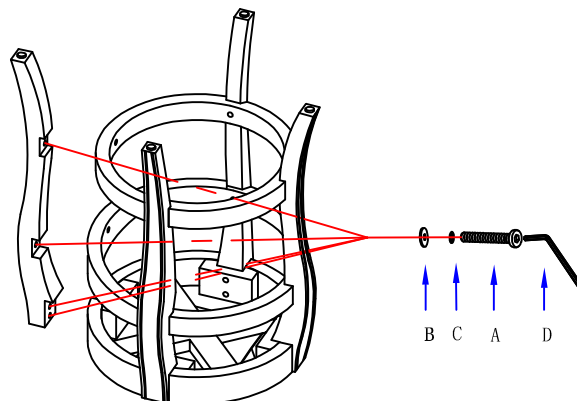
### 1 STEP 1

Attach Swivel Plate (H) to the seat frame using the four Bolts (E) and Lock washer (G) & Flat washer (F). Tighten all bolts evenly and then turn each bolt 1/4 turn evenly for final fasten.



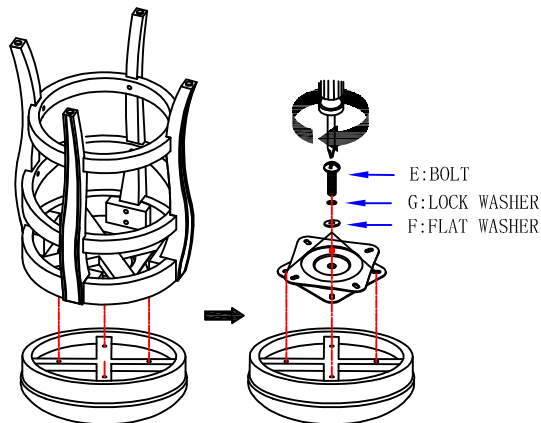
### 2 STEP 2

Attach 4 legs, middle ring, lower foot ring, using Bolts (A), Lock washer (C) and Flat washer (B). Tighten all bolts evenly and then turn each bolt 1/4 turn evenly for final fasten.



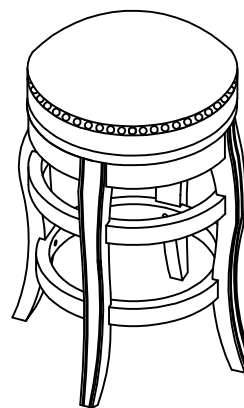
### 3 STEP 3

Attach Swivel Plate (H) to the Bar stool seat using the four Bolts (E) and then Lock washer (G) & Flat washer (F). Tighten all bolts evenly and then turn each bolt 1/4 turn evenly for final fasten.



### 4 STEP 4

Complete



\* PLEASE READ INSTRUCTION PRINTED ON SW IVEL PLATE  
HARDWARE PACK  
CHECK THAT THE FOLLOWING PARTS ARE IN CARTON

A		BOLT (Ø1/4"*1-3/4")	16 PCS
B		FLAT WASHER (1/4"*18mm)	16 PCS
C		LOCK WASHER (1/4")	16 PCS
D		ALLEN WRENCH (4mm)	1 PC
E		BOLT (Ø1/4"*1")	8 PCS
F		FLAT WASHER (1/4"*19mm)	8 PCS
G		LOCK WASHER (1/4")	8 PCS
H		SWIVEL PLATE 8"	1 PC