

Thank You for purchasing this quality product. Be sure to check all packing material carefully for small parts, which may have come loose inside the carton during shipment. Identify and count all parts and compare with the parts lists below. Please be sure to read the Notes section at the bottom of the page before beginning Assembly. Thank You

ASSEMBLY INSTRUCTION

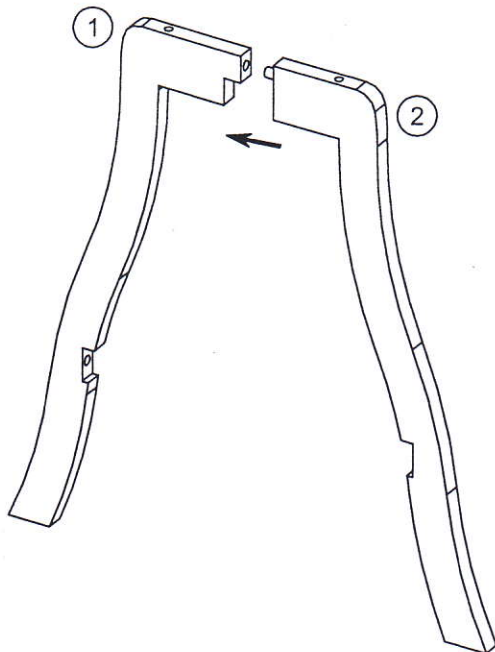
DESIGNER STOOL

MODEL : 106606(CS1602RTA)

SIZE : 39" ROUND X 31-1/4"H

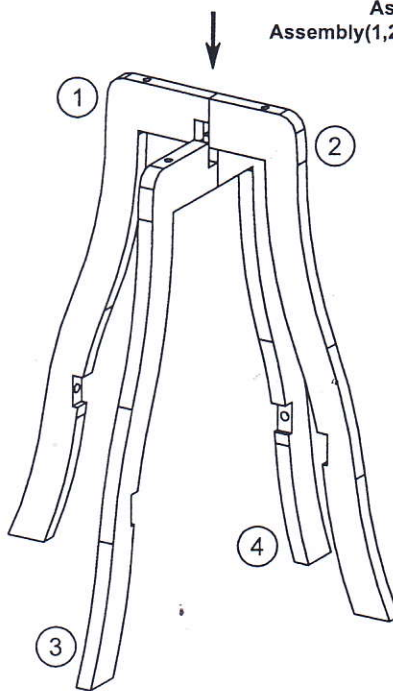
STEP 1

Allen key(G) is needed for most of the operation. Assemble leg(1) to leg(2) with wood dowel. Repeat the same step for the other side of leg.



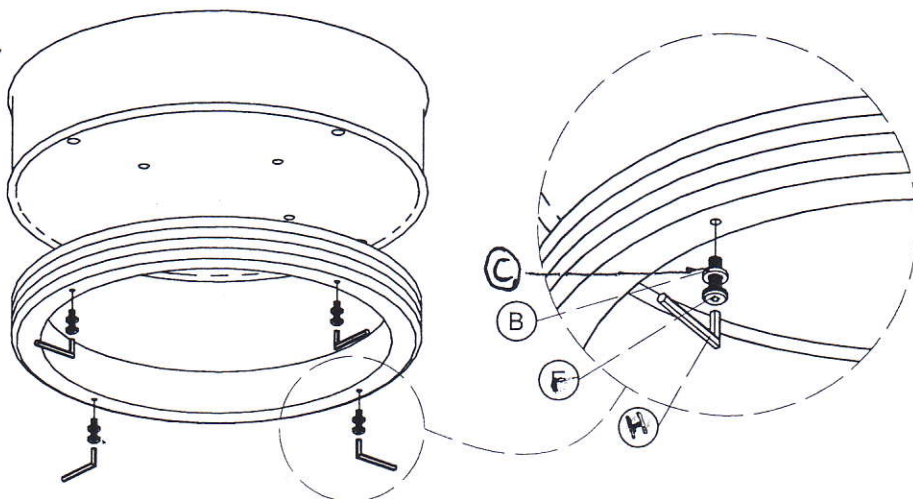
STEP 2

Assemble leg Assembly(1,2) and (3,4).



STEP 3

Assemble Seat Cushion(7) and Seat Apron(6). Use Bolt (E) and Spring Washer(B) Only.



List of Part for 1 Set

Code	Figure	Part	Qty
①		LEG	1
②		LEG	1
③		LEG	1
④		LEG	1
⑤		STRETCHER	1
⑥		SEAT APRON	1
⑦		SEAT CUSHION	1
⑧		TRIANGLE BLOCK	4

List of Hardware for 1 Set

Code	Figure	Part	Qty
A		SWIVEL PLATE	1
B		Spring Washer 1/4"	16
C		Flat Washer 1/4" x 18mm	8
D		Flat Washer 1/4" x 13mm	8
E		JCBC Bolt M 6 x 20mm	8
F		JCBC Bolt M 6 x 40mm	8
G		PHRS Screw #8 x 1"	8
H		Allen Key M4	1
I		WOOD BUTTON	4

⚠ Important Notes

- * Keep all hardware parts out of reach of children.
- * Must tighten screws periodically. With use screws will become loose. Check tightness of all screws every 6-8 weeks.
- * Don't attempt to repair or modify parts that are broken or defective. Please contact the store immediately.
- * Do not tighten all screw / bolt until all completely assembled.

Notes

- * Place all wooden parts on a clean and smooth surface such as a rug or carpet to avoid the parts from being scratched.
- * Check to be sure that you have all parts and hardware.
- * Remove all wrapping materials including staples & packing straps before you start to assemble.

Care And Maintenance

- * The Touch of a soft cloth is all the maintenance your wood pieces will ever need.
- * Never use harsh chemicals or abrasive cleaner as they could mark or destroy finish.

Thank You for purchasing this quality product. Be sure to check all packing material carefully for small parts, which may have come loose inside the carton during shipment. Identify and count all parts and compare with the parts lists below. Please be sure to read the Notes section at the bottom of the page before beginning Assembly. Thank You

ASSEMBLY INSTRUCTION

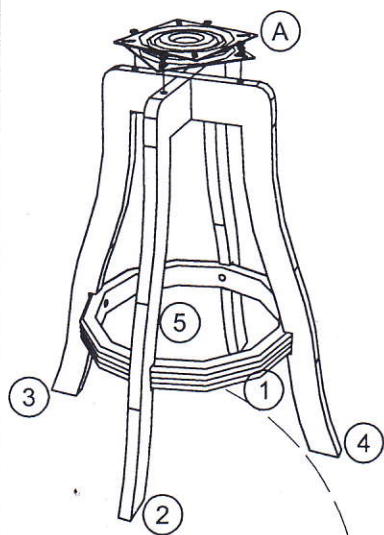
DESIGNER STOOL

MODEL : 106606(CS1602RTA)

Size : 39" ROUND X 31-1/4" H

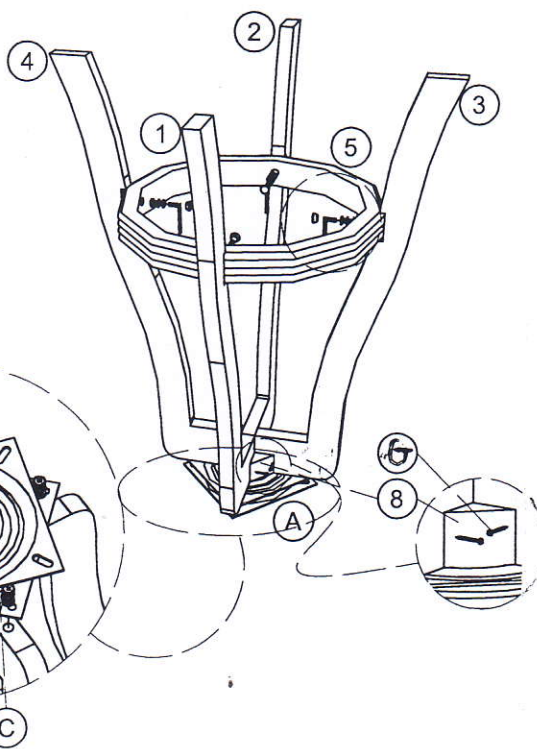
STEP 4

-Assemble stretcher frame to stool leg with Bolt(E), Spring Washer(B) and Flat Washer(C) then insert wood button(H)



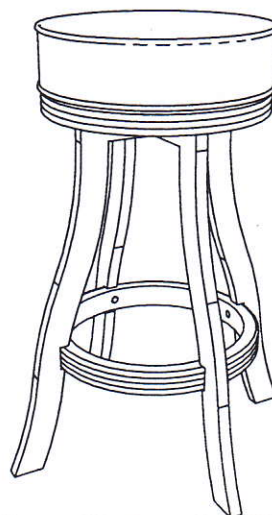
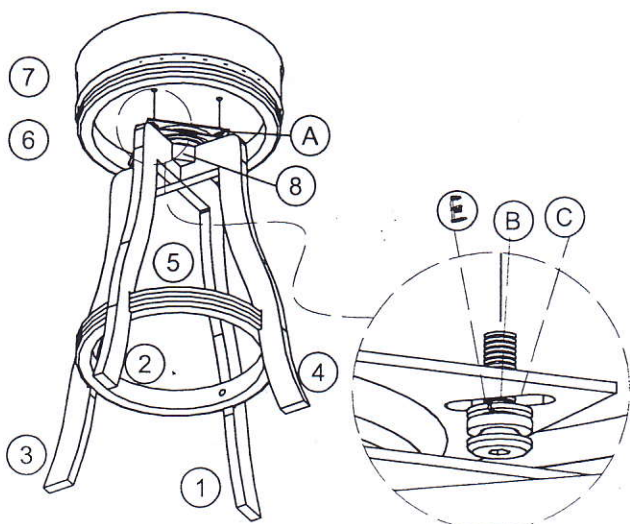
STEP 5

-Assemble Triangle Block(8) at 4 sides of Stool Leg with DW Screw(F)
 -Attach Swivel Plate(A) to the stool leg using Bolt(D), Spring Washer(B) and Flat Washer(C). Tight evenly



STEP 6

-Assemble completed Seat Cushion/Apron(6,7) to Swivel Plate(A) which is now attached to the Stool Leg. Tighten all screws evenly and then turn each screw for final fasten.



Assembly Completed!!!

List of Part for 1 Set

Code	Figure	Part	Qty
①		LEG	1
②		LEG	1
③		LEG	1
④		LEG	1
⑤		STRETCHER	1
⑥		SEAT APRON	1
⑦		SEAT CUSHION	1
⑧		TRIANGLE BLOCK	4

List of Hardware for 1 Set

A		SWIVEL PLATE	1
B		Spring Washer 1/4"	16
C		Flat Washer 1/4" x 18mm	8
D		Flat Washer 1/4" x 13mm	8
E		JCBC Bolt M 6 x 20mm	8
F		JCBC Bolt M 6 x 40mm	8
G		PHRS Screw #8 x 1"	8
H		Allen Key M4	1
I		WOOD BUTTON	4

! Important Notes

- * Keep all hardware parts out of reach of children.
- * Must tighten screws periodically. With use screws will become loose. Check tightness of all screws every 6-8 weeks.
- * Don't attempt to repair or modify parts that are broken or defective. Please contact the store immediately.
- * Do not tighten all screw / bolt until all completely assembled.

Notes

- * Place all wooden parts on a clean and smooth surface such as a rug or carpet to avoid the parts from being scratched.
- * Check to be sure that you have all parts and hardware.
- * Remove all wrapping materials including staples & packing straps before you start to assemble.

Care And Maintenance

- * The Touch of a soft cloth is all the maintenance your wood pieces will ever need.
- * Never use harsh chemicals or abrasive cleaner as they could mark or destroy finish.