

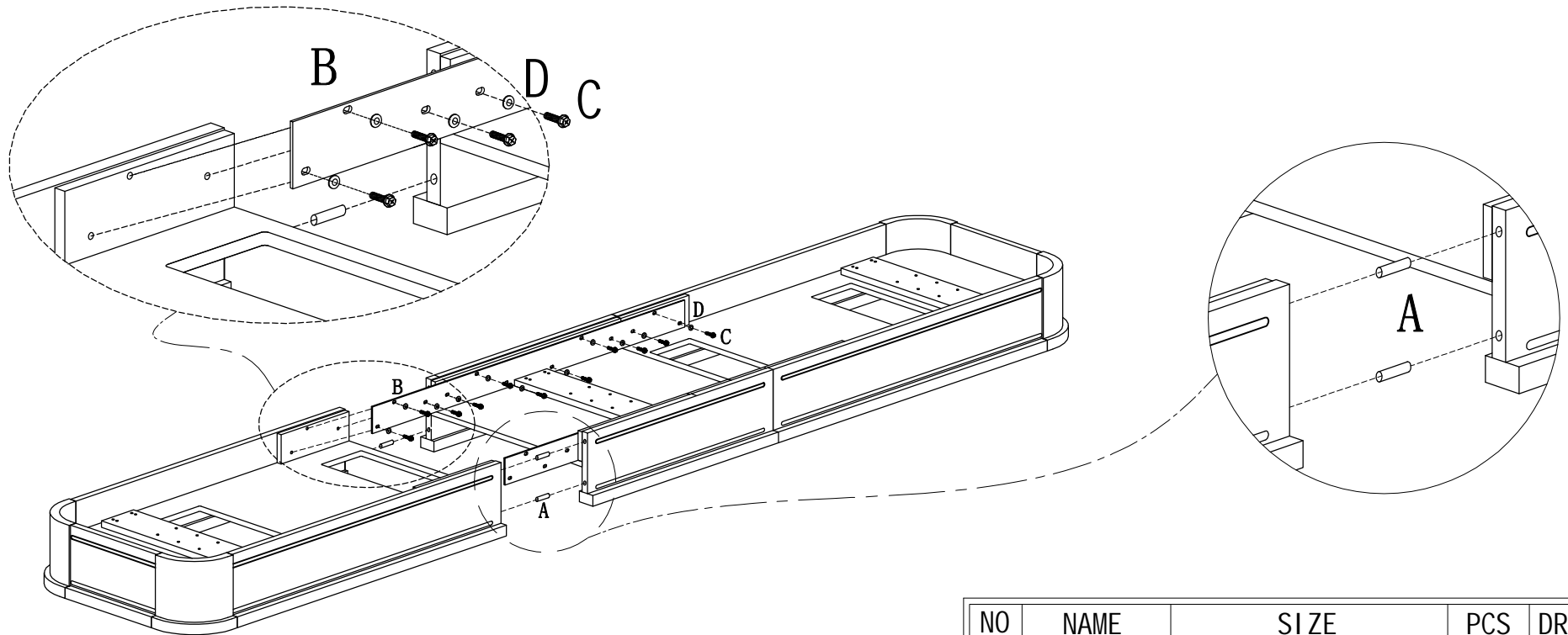
# AMERICAN HERITAGE-MILAN SHUFFLEBOARD TABLE-12'


## Assembly Instruction

1/4

Step 1. Lay all 3 cabinet pieces upside down on a cleat flat surface and connect them by using the Dowels(A)

Step 2. Attach the beams to the cabinet using Washer(D) and Bolt(C)

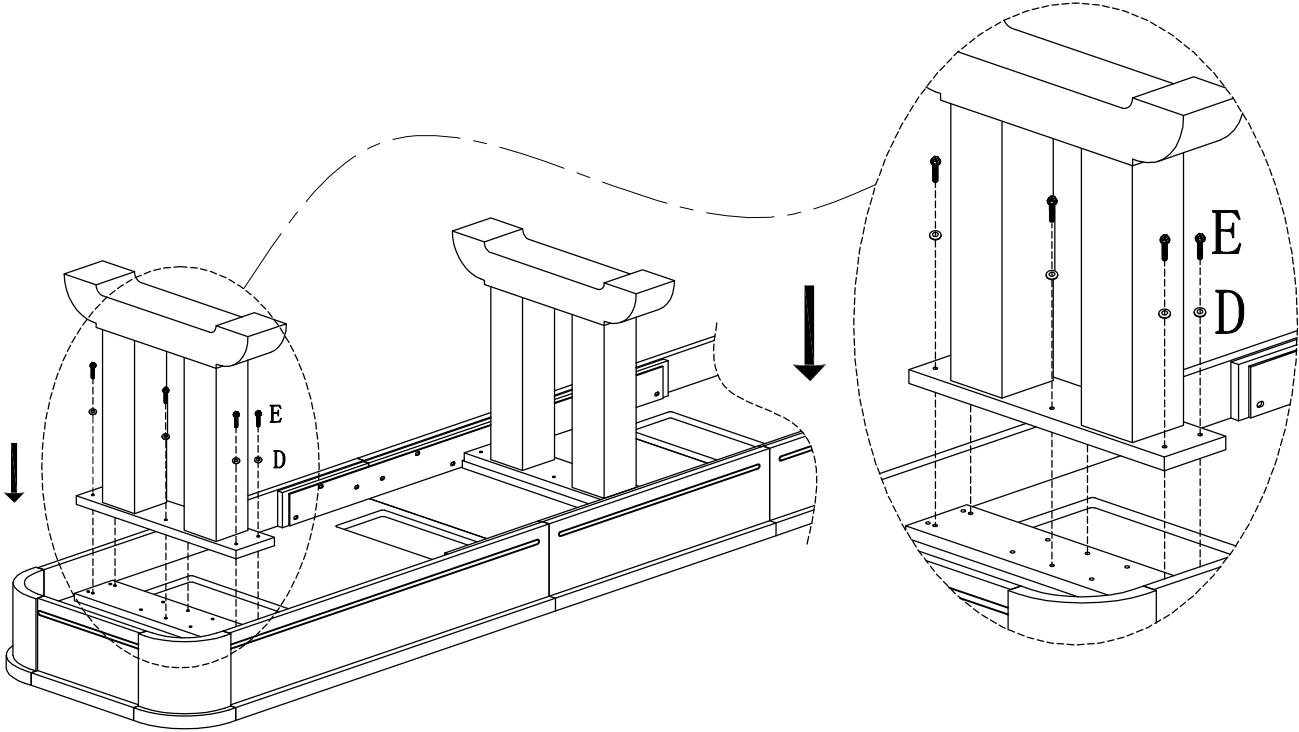




NO	NAME	SIZE	PCS	DRAW
A	DOWEL	φ10mmx40mm	8	
B	METAL	L58" x W3-3/4"*T3/16"	2	
C	FLANG BOLT	φ5/16"x3/4"	24	
D	WASHER	φ5/16"x3/4"x2mm	24	

# AMERICAN HERITAGE-MILAN SHUFFLEBOARD TABLE-12'

## Assembly Instruction

Step 3. Attach each leg stand to the cabinet using Washer(E) and Bolt(D)



NO	NAME	SIZE	PCS	DRAW
D	WASHER	φ5/16"x3/4"X2mm	18	
E	FLANG BOLT	φ5/16"X1-3/4"	18	

# AMERICAN HERITAGE-MILAN SHUFFLEBOARD TABLE-12'

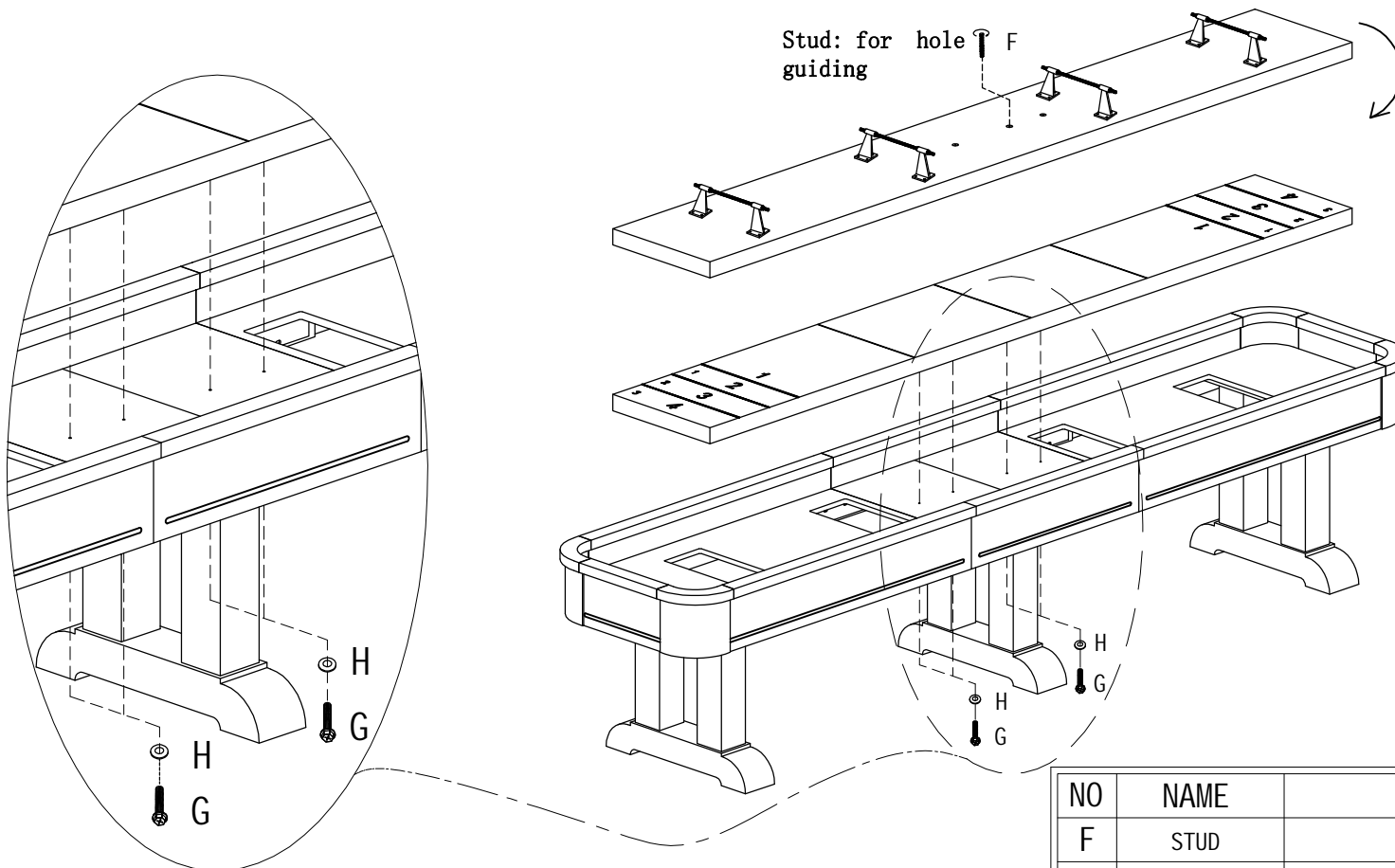
## Assembly Instruction




3/4

Step 4. Using 2 or more strong adults, carefully turn the cabinet right side up

Step 5. Using 2 or more strong adults, carefully place the playfield in the cabinet and center it by measuring the distance from the playfield to the cabinet on all four sides

Step 6. Secure the playfield to the cabinet using Washer(H) and Bolt(G)



NO	NAME	SIZE	PCS	DRAW
F	STUD	ø1/4"X3"	1	
G	FLANG BOLT	ø1/4"X1-3/4"	4	
H	WASHER	ø1/4"X5/8"X2mm	4	

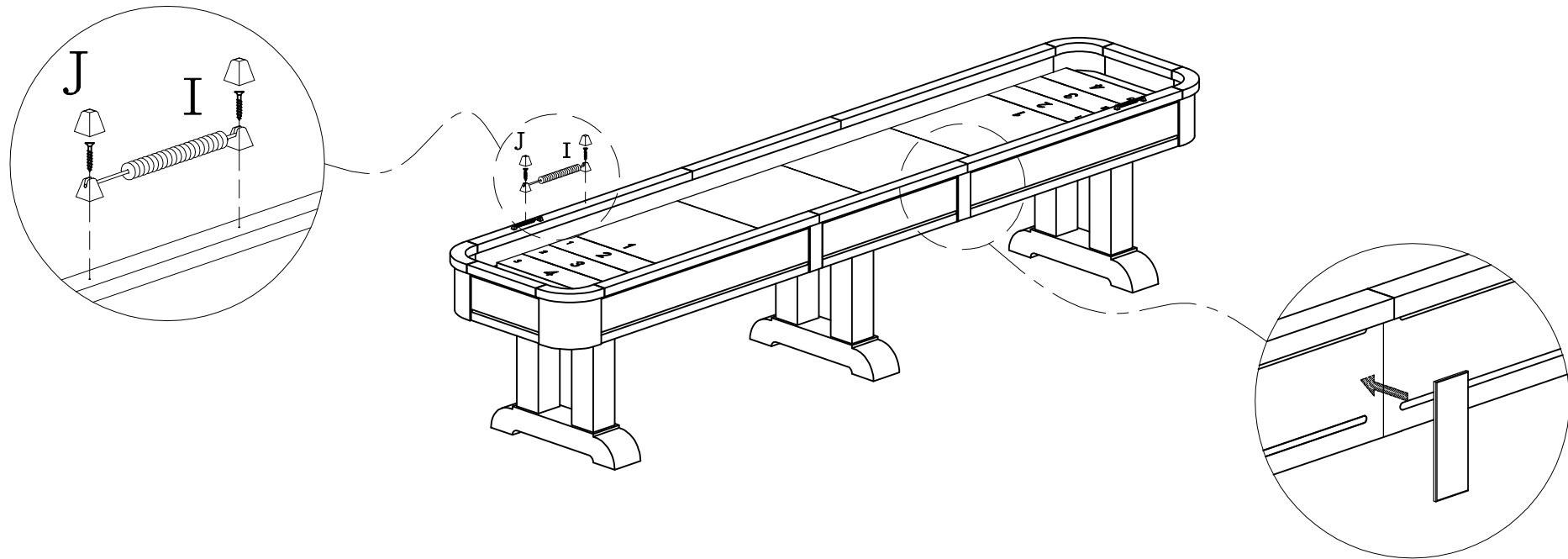
# AMERICAN HERITAGE-MILAN SHUFFLEBOARD TABLE-12'

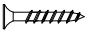

## Assembly Instruction

4/4

Step 7. Attach the Wood Panels to the cabinet sides by peeling the protective layer off of the 2 way tape and aligning the Wood Panels centered over the cabinet seams

Step 8. Attach the manual scoring units to the cabinet using Screw(I)



NO	NAME	SIZE	PCS	DRAW
I	SCREW	#6X1"	4	
J	SCORE UNIT		2	