

A H B

HOME FURNITURE COLLECTIONS

ASSEMBLY INSTRUCTIONS

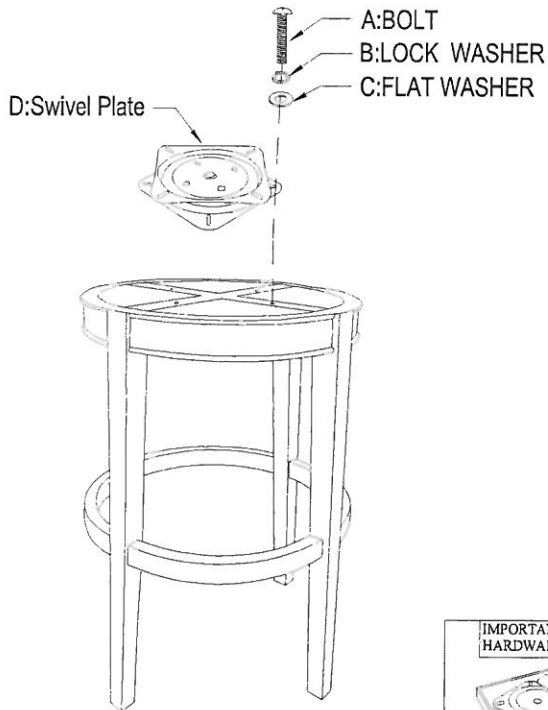
SHAE STOOL

LOOSELY ATTACH EACH SCREW UNTIL FRAME IS ASSEMBLED THEN TIGHTEN WHEN COMPLETE

1

STEP 1

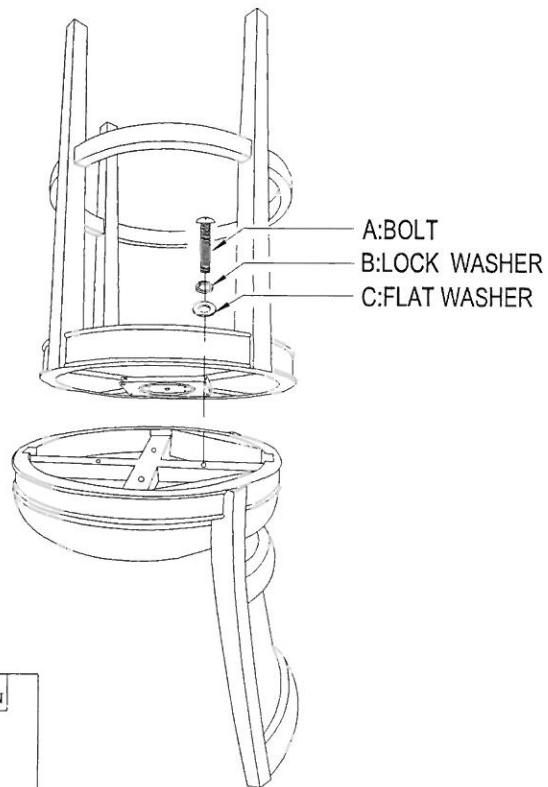
1) Attach swivel plate (D) to the bar stool base using the four bolts (A) and then lock washers (B) & flat washers (C). Tighten all bolts evenly and then turn each bolt 1/4 turn for final fasten.



2

STEP 2

2) Attach bar stool seat to swivel plate on the base using bolts (A), lock washers (B) and flat washers (C). Tighten all bolts evenly and then turn each bolt 1/4 turn evenly for final fasten.



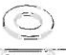



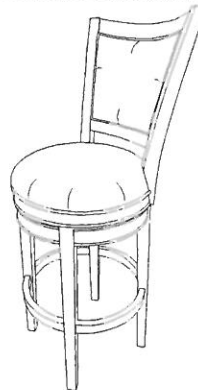
IMPORTANT NOTE:
HARDWARE PACK LOCATION



Hardware Box

PLEASE READ INSTRUCTION PRINTED ON SWIVEL PLATE
HARDWARE PACK
CHECK THAT THE FOLLOWING PARTS ARE IN CARTON

PARTS LIST				
A		BOLT	1/4"*7/8"	8PCS
B		LOCK WASHER	1/4"	8PCS
C		FLAT WASHER	1/4"*16mm	8PCS
D		SWIVEL PLATE	8"*8"*22mm	1PC



MADE IN CHINA