

— EST. 1987 —



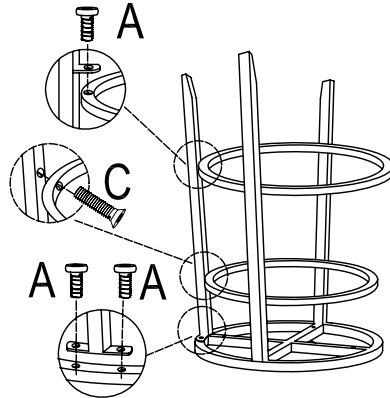
HOME FURNITURE COLLECTIONS

ASSEMBLY INSTRUCTIONS SILVANO STOOL

LOOSELY ATTACH EACH SCREW UNTIL FRAME IS ASSEMBLED THEN TIGHTEN WHEN COMPLETE

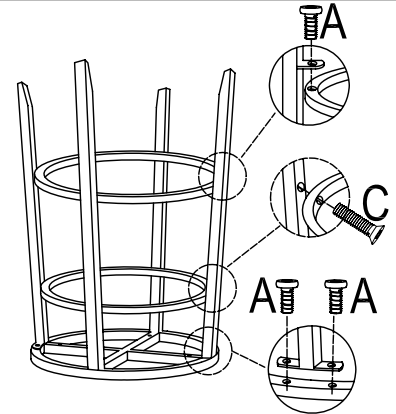
1 STEP:1

Attach three chair legs to metal rings by using bolts (A), and then attached chair leg to cross connection by using bolts (A) and (C), as shown.



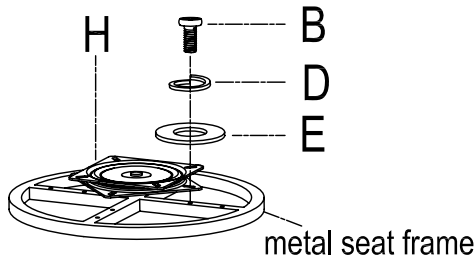
2 STEP:2

Attach the 4th leg to metal rings and cross connection by using bolts (A) and (C), as shown.



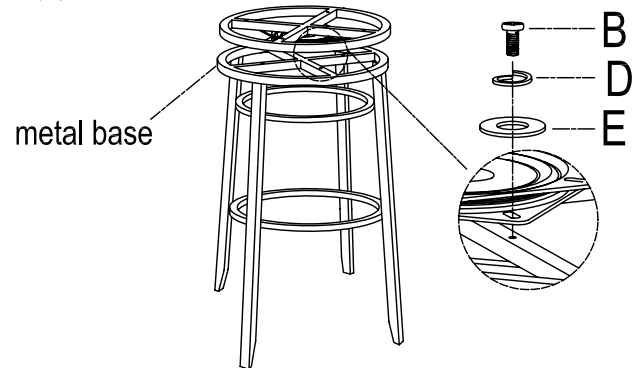
3 STEP:3

Attach swivel plate(H) to metal seat frame by using 4pcs Allen bolts(B), 4pcs Lock washers(D) and 4pcs flat washers(E) as shown.



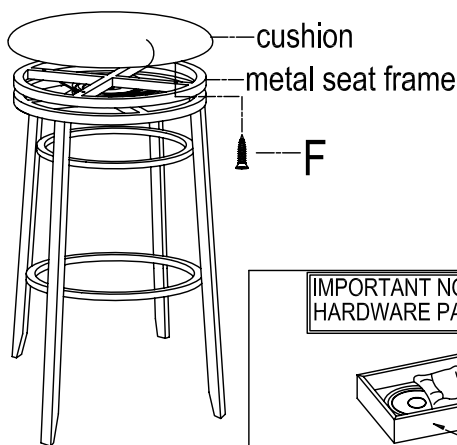
4 STEP:4

Attach swivel plate(H) to metal base by using 4pcs Allen bolts(B), 4pcs Lock washers(D) and 4pcs flat washers(E) as shown.



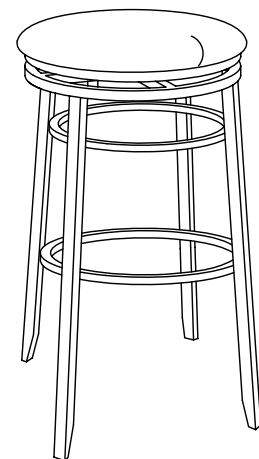
5 STEP:5

Attach cushion to metal seat frame by using 4pcs screws(F), as shown.



6 STEP:6

Assembly is complete



IMPORTANT NOTE:
HARDWARE PACK LOCATON


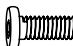








Hardware Box

HARDWARE PACK

MADE IN CHINA

CHECK THAT THE FOLLOWING PARTS ARE IN CARTON

<p>A</p>  <p>ALLEN BOLT 1/4"×12mm 12PCS</p>	<p>B</p>  <p>ALLEN BOLT 1/4"×15mm 8PCS</p>	<p>C</p>  <p>ALLEN BOLT 1/4"×25mm 4PCS</p>	<p>D</p>  <p>LOCK WASHER 1/4" 8PCS</p>	<p>E</p>  <p>FLAT WASHER Ø16×1.2mm 8PCS</p>	<p>F</p>  <p>SCREW Ø5×30mm 4PCS</p>	<p>G</p>  <p>ALLEN WRENCH</p>	<p>H</p>  <p>SWIVEL PLATE 160×160×24mm 1PC</p>
---	--	--	--	---	---	---	--