

ASSEMBLY INSTRUCTION
LAROSA PUB TABLE
Model : 100580NAV (PTCVT 1504)

Size : 31" x 31" x 43 1/2" H

List of Part For 1 Set

01		Table Top	1
02		Pedestal	1
03		Table Leg With Leveler	4
04		Mounting Plate	1

List of hardware For 1 Set

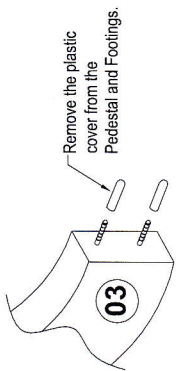
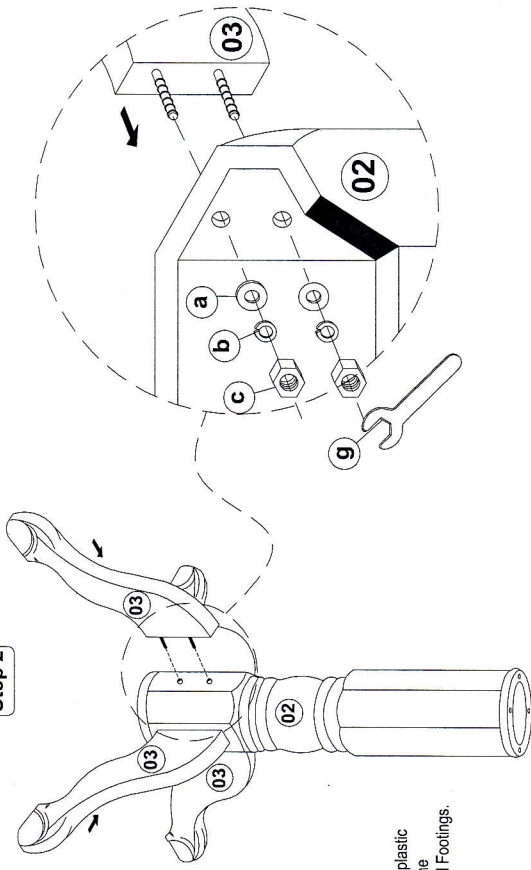
a		Flat Washer 5/16" x 22mm	8
b		Spring Washer 5/16"	8
c		Hexagon Nut 5/16" x 7mm	8
d		Flat Washer 1/4" x 18mm	8
e		Spring Washer 1/4"	8
f		JCBG Bolt M6 x 30mm	8
g		Spanner	1
h		Allen Key M4	1

! Important Notes

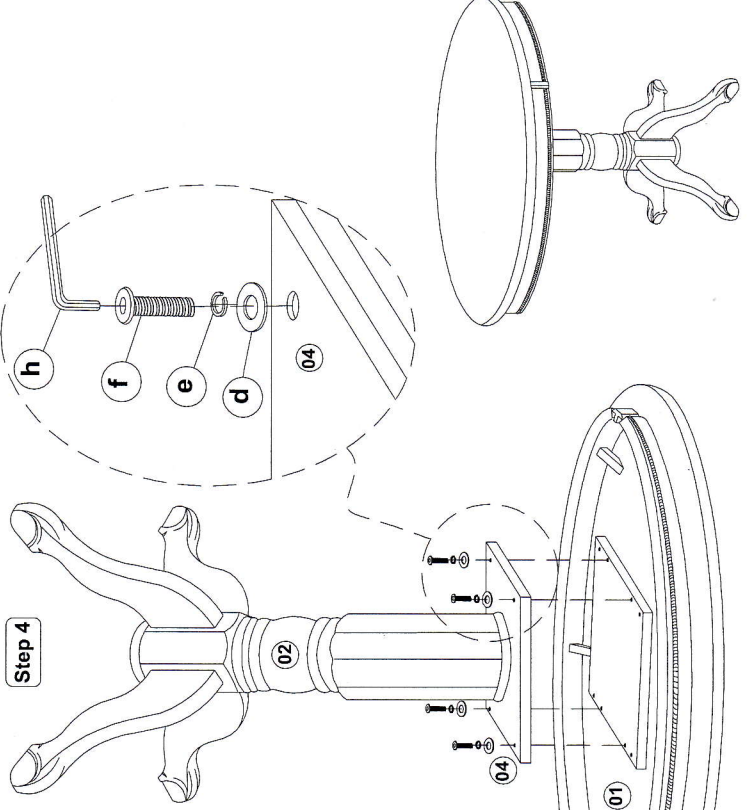
- * Keep all hardware parts out of reach of children.
- * Must tighten screws periodically. With use screws will become loose. Check tightness of all screws every 6-8 weeks.
- * Don't attempt to repair or modify parts that are broken or defective. Please contact the store immediately.
- * Do not tighten all screw / bolt until all completely assembled

Assembly Completed !!..

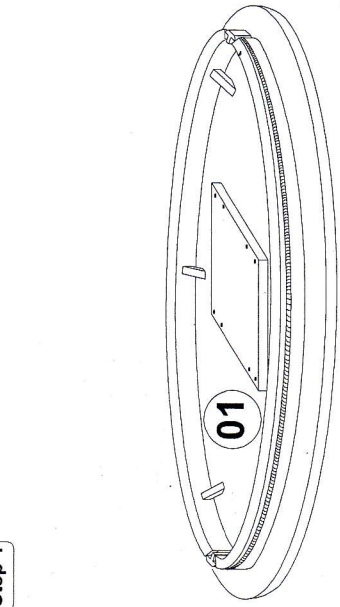
Step 2



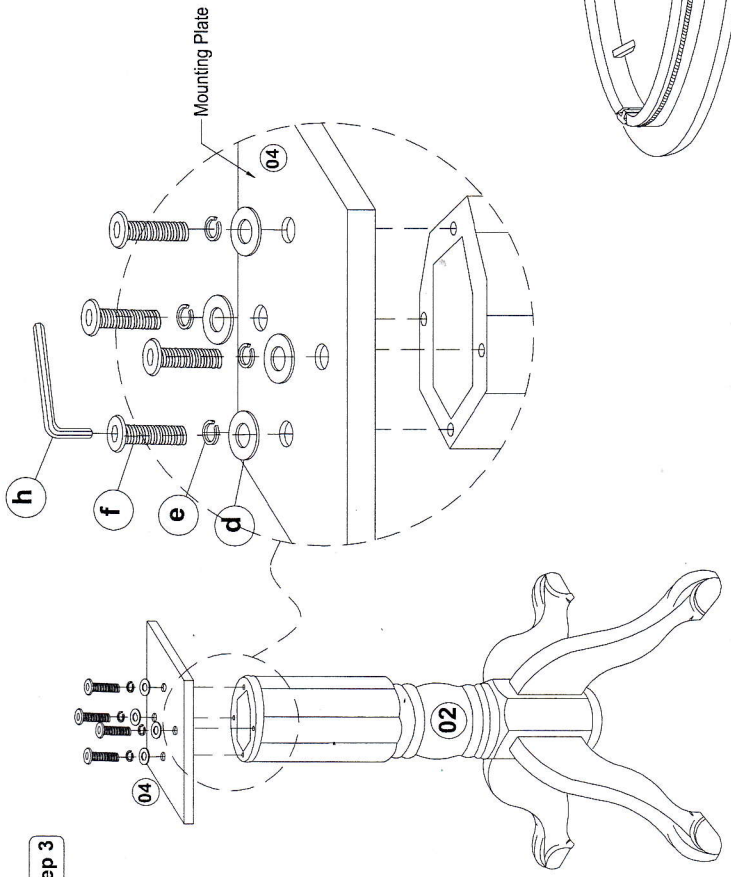
Step 4



Step 1



Step 3



Thank You for purchasing this Quality product. It has been engineered for easy assembly yet constructed for durability. Please take the time to read and follow the instructions while assembling. Please be sure to read the Notes section at the bottom of the page before beginning Assembly. Thank You

MADE IN MALAYSIA