

**ASSEMBLY INSTRUCTION**  
**ROSA GAME TABLE**  
**Model : 100743SD (PDCVT-1506)**

Size : 42" x 42" x 36" H

List of Part For 1 Set

|    |  |             |   |
|----|--|-------------|---|
| 01 |  | Apron Frame | 1 |
| 02 |  | Table Leg   | 4 |
| 03 |  | Table Top   | 1 |

List of hardware For 1 Set

|   |  |                             |   |
|---|--|-----------------------------|---|
| a |  | Flat Washer<br>1/4" x 16mm  | 8 |
| b |  | Spring Washer<br>1/4"       | 8 |
| c |  | JCBC Bolt<br>M6 x 25mm      | 8 |
| d |  | Flat Washer<br>5/16" x 22mm | 8 |
| e |  | Spring Washer<br>5/16"      | 8 |
| f |  | JCBC Bolt<br>M8 x 60mm      | 8 |
| g |  | Allen Key<br>M 4            | 1 |
| h |  | Allen Key<br>M 5            | 1 |
| i |  | Cup Holder                  | 4 |

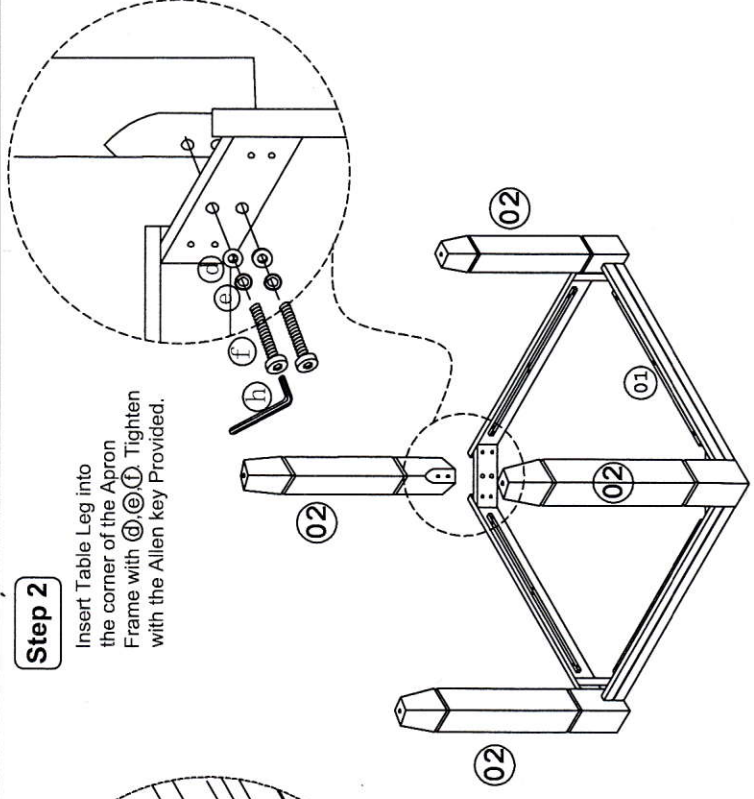
**Important Notes**

- \* Keep all hardware parts out of reach of children.
- \* Must tighten screws periodically. With use screws will become loose. Check tightness of all screws every 6-8 weeks.
- \* Don't attempt to repair or modify parts that are broken or defective. Please contact the store immediately.
- \* Do not tighten all screw / bolt until all completely assembled

Thank You for purchasing this Quality product. It has been engineered for easy assembly yet constructed for durability. Please take the time to read and follow the instructions while assembling. Please be sure to read the Notes section at the bottom of the page before beginning Assembly. Thank You

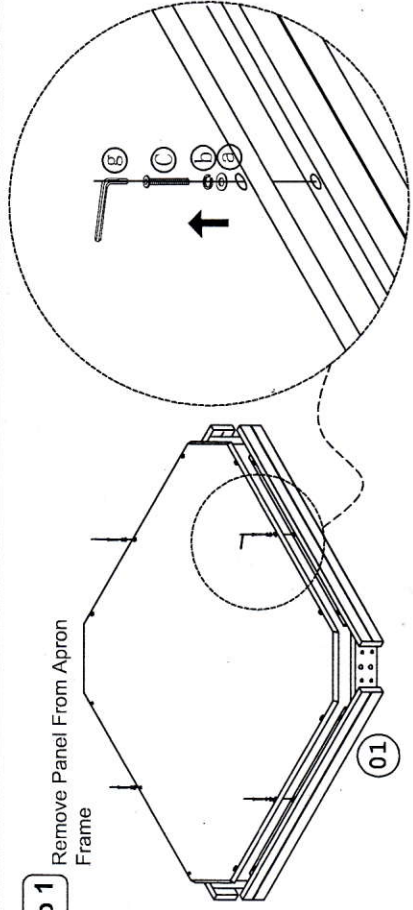
**Step 2**

Insert Table Leg into the corner of the Apron Frame with **(a)**, **(b)**, **(c)**. Tighten with the Allen key Provided.



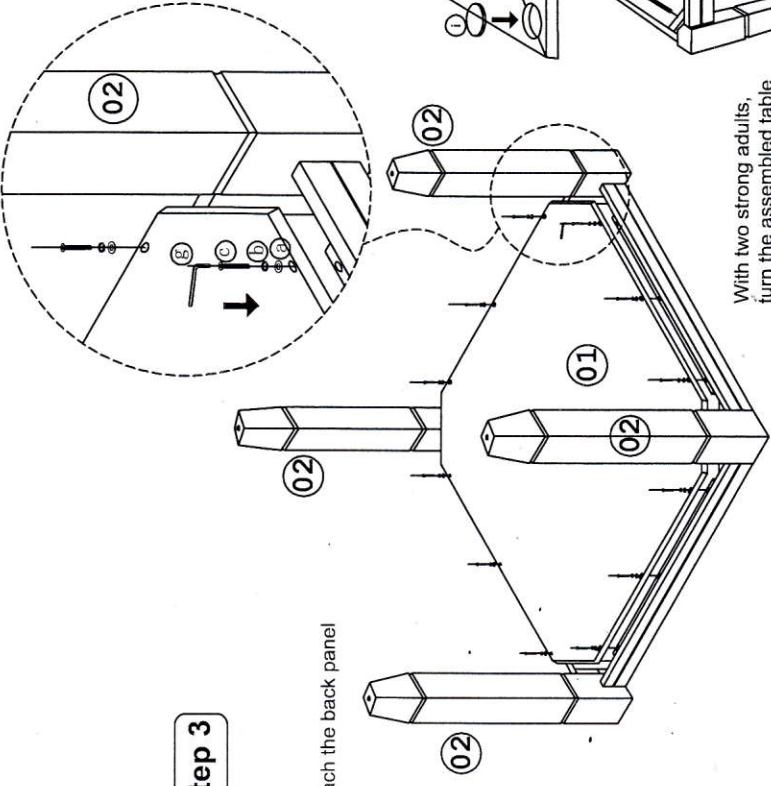
**Step 1**

Remove Panel From Apron Frame



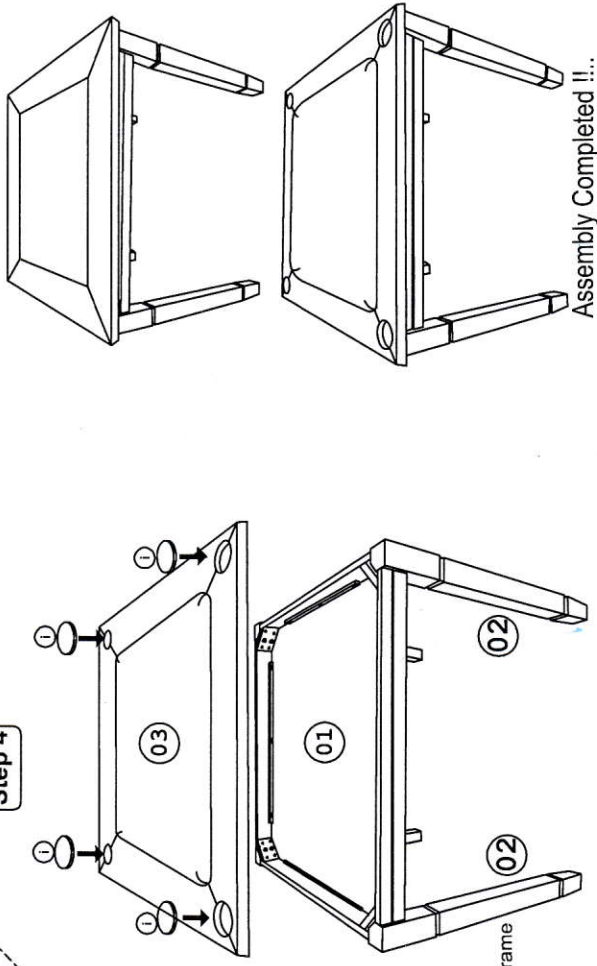
**Step 3**

Attach the back panel



**Step 4**

With two strong adults, turn the assembled table over carefully and put the Table Top on the Apron Frame



Assembly Completed !!