

— EST. 1987 —



HOME FURNITURE COLLECTIONS

ASSEMBLY INSTRUCTIONS

PICANTE BAR

LOOSELY ATTACH EACH SCREW UNTIL FRAME IS ASSEMBLED THEN TIGHTEN WHEN COMPLETE

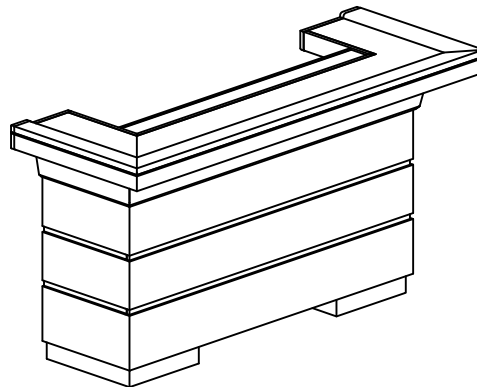
**STEP 1:**

**STEP 2:**

TOP CLEAT

ADJUSTABLE LEVELER

Assembly is complete.



MADE IN CHINA

HARDWARE LIST	PARTS LIST	
<p><b>A</b></p> <p>Bar Top Screws ø8X1-1/4" 10pcs</p>	<p><b>1</b></p> <p>Top 1pc</p>	<p><b>2</b></p> <p>Base 1pc</p>

DO YOU HAVE A QUESTION CONCERNING YOUR AMERICAN HERITAGE BILLIARDS PRODUCT? PLEASE CONTACT THE RETAILER YOU PURCHASED YOUR FURNITURE FROM TO GET MORE INFORMATION ON THE PRODUCT. IF YOU CANNOT CONTACT THE RETAILER YOU PURCHASED FROM, PLEASE SEND US AN INQUIRY TO OUR WEBSITE AND WE'LL DO OUR BEST TO HELP. THANK YOU FOR YOUR SUPPORT!