



Wood-fired Oven Combination Cook Stove / Heater

N350 / N350W
N550 / N550W



Excellent warmth and
cooking performance.

With its robust oven and stove top cooking features, the Wood-fired Oven is perfect for remote locations or anywhere wood is the preferred fuel source. Enjoy the ability to cook a roast, pizza or breads, plus enjoy the added benefit of primary heating in spacious living areas.



Wood-fired Oven Combination Cook Stove / Heater

N350 / N350W
N550 / N550W



Features



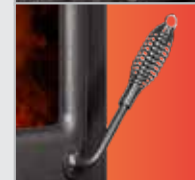
Supplied with 2 wire cooking racks and 1 baking tray



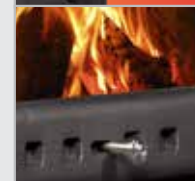
Cook Top: Direct radiant heat 1/4" top plate has 2 removable cook rings



Oven temperatures supplied with both a °F and °C thermometer



"Stay Cool" spring handle



The adjustable bypass allows for greater fire and oven temperature control by increasing/decreasing the amount of air into the firebox



With the flue bypass dampener closed, flue gases spill over the internal side plates of the firebox creating a convection cooking effect



Cast iron doors and ceramic glass

N350 / N350W

Dimensions (WxHxD) . . . 21-5/8" x 34" x 21"
54.9cm x 86.3 cm x 54.3cm
Heat Output 30,000 BTU's/hr
Residual Heat Output . . . 750-1,000 sq. ft.
Weight 265 lbs (120.2 KG)
Construction Steel 1/4" & 5/16"
Stove racks 3
Maximum Log 13"
Firebox Volume 1.49 cu.ft
Top Flue Size 6"
Efficiency Rating 78%
5" Cook rings 2

N550 / N550W

Dimensions (WxHxD) . . . 26-5/8" x 33" x 19.6"
67.6cm x 83.8 cm x 49.8cm
Heat Output 65,000 BTU's/hr
Residual Heat Output . . . 2,000-2,500 sq. ft.
Weight 465 lbs (210.9 KG)
Construction Steel 1/4" & 5/16"
Stove racks 3
Maximum Log 19"
Firebox Volume 1.55 cu.ft
Top Flue Size 6"
Efficiency Rating 78%
5" Cook rings 2

| Model # | Description | Heat Output | Residual Heat Output | Weight | Warranty ¹ | Product Dimensions (WxHxD) | |
|---------|------------------------------------|-----------------|----------------------|--------------------|-----------------------|----------------------------|--------------------|
| | | | | | | Inches | cm |
| N350 | Wood-fire Oven | 30,000 BTU's/hr | 750-1,000 sq. ft. | 265 lbs (120.2 KG) | 10 year limited | 21-5/8 x 34 x 21 | 54.9 x 86.4 x 53.3 |
| N350W | Wood-fire Oven (with water jacket) | 30,000 BTU's/hr | 750-1,000 sq. ft. | 265 lbs (120.2 KG) | 10 year limited | 21-5/8 x 34 x 21 | 54.9 x 86.4 x 53.3 |
| N550 | Wood-fire Oven | 65,000 BTU's/hr | 2,000-2,500 sq. ft. | 465 lbs (210.9 KG) | 10 year limited | 26-5/8 x 33 x 19-5/8 | 67.6 x 83.8 x 49.7 |
| N550W | Wood-fire Oven (with water jacket) | 65,000 BTU's/hr | 2,000-2,500 sq. ft. | 465 lbs (210.9 KG) | 10 year limited | 26-5/8 x 33 x 19-5/8 | 67.6 x 83.8 x 49.7 |

Specifications are subject to change. ©2018 Glen Dimplex Americas. ¹Limited warranty.

SE-364-R03-092518

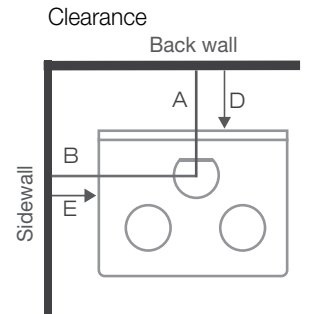
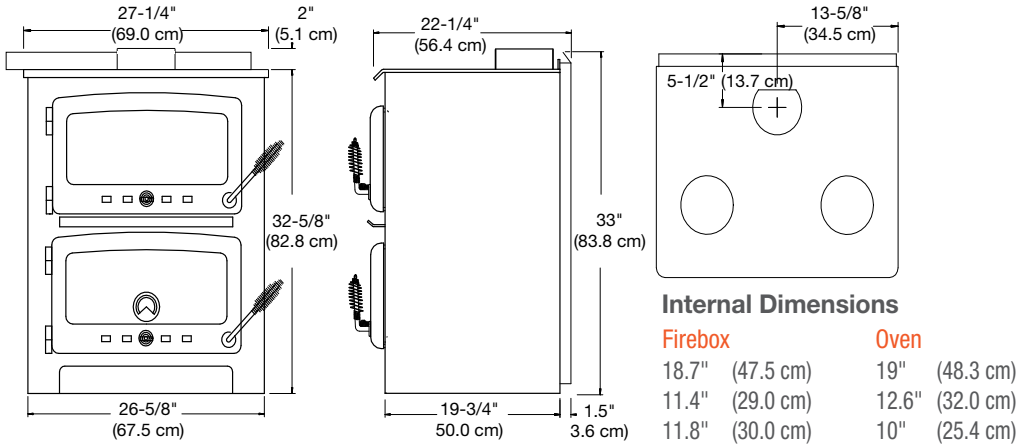


N350 / N350W
N550 / N550W

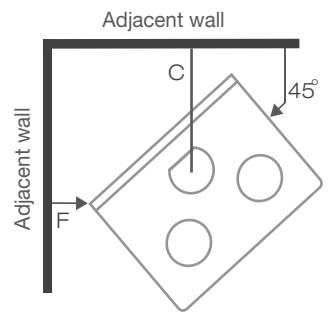
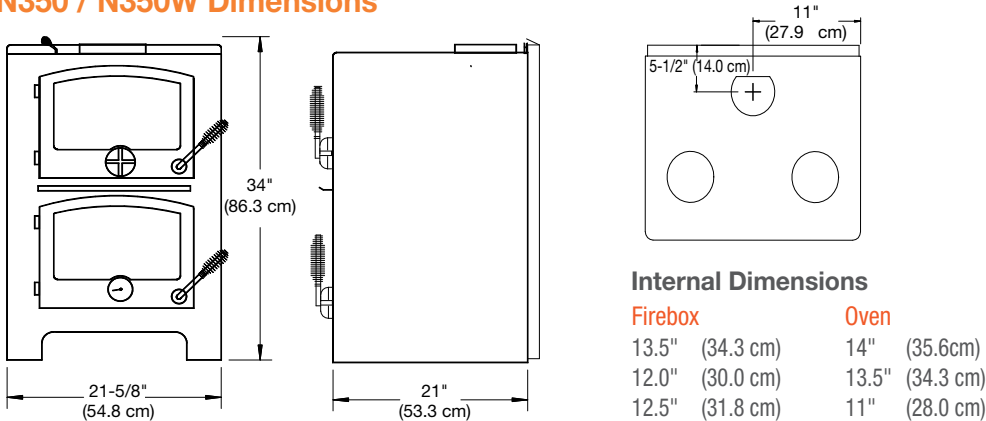
Wood-Fired Oven

Wood-fired oven combined with wood-fire heating

N550 / N550W Dimensions



N350 / N350W Dimensions



Residential installation for Standard Clearances

| Installation | Measurement to: | N350/N350W | | N550/N550W | |
|--------------------------|-------------------------------|------------------|------------------|------------------|-------------|
| | | Single Wall | Double Wall | Single Wall | Double Wall |
| Standard | Back Wall to Flue Pipe Center | 16.5" (41.9 cm) | 10.5" (26.7 cm) | 12.5" (31.8 cm) | N/A |
| | Side Wall to Flue Pipe Center | 22.0" (55.9 cm) | 18.0" (45.7 cm) | 22.5" (57.2 cm) | |
| | Back Wall to Appliance | 14.0" (35.6 cm) | 8.0" (20.3 cm) | 10.0" (25.4 cm) | |
| | Side Wall to Appliance | 14.0" (35.6 cm) | 10.0" (25.4 cm) | 12.0" (30.5 cm) | |
| Corner | Wall to Flue Pipe | 20.0" (50.8 cm) | 15.0" (38.1 cm) | 15.0" (38.1 cm) | |
| | Wall to Appliance | 11.5" (29.2 cm) | 6.5" (16.5 cm) | 6.5" (16.5 cm) | |
| Ceiling to Appliance Top | | 51.0" (129.5 cm) | 51.0" (129.5 cm) | 51.0" (129.5 cm) | |

| EPA Cookstove Requirements | N350 / N350W | N550 / N550W |
|-----------------------------------------------------------|-----------------------------------------------------------------------|-----------------------------------------------------------------------|
| (1) Oven volume > 1 cubic foot | 1.19 cubic feet with oven rack | 1.69 cubic feet with oven rack |
| (2) Oven thermometer | <input checked="" type="checkbox"/> | <input checked="" type="checkbox"/> |
| (3) Flame path around oven | <input checked="" type="checkbox"/> | <input checked="" type="checkbox"/> |
| (4) Ash pan | Ash collection beneath oven | Ash collection beneath oven |
| (5) Ash clean out beneath oven | Access ash pan through base of oven | Access ash pan through base of oven |
| (6) No fan or heat channels | <input checked="" type="checkbox"/> | <input checked="" type="checkbox"/> |
| (7) Cooking surface 1.5 times greater than firebox volume | Cooking surface = 2.6 square feet Firebox volume = 1.49 cubic feet | Cooking surface = 3.4 square feet Firebox Volume = 1.55 cubic feet |
| (8) At least four sides of oven exposed to flame path | Flame path wraps sides, base, and rear of oven | Flame path wraps sides, base, and rear of oven |