



## LED Panel Light Specification

### GL LED Panel Light

(125LM/W at 4000K/5000K, Ra>80)



#### Advantages

- 5 years warranty
- Super bright SMD LEDs (LM-80)
- Total lamp efficiency: 125Lm/W, Ra>80
- Dimmable options: 0-10V dimmable
- The highest using ambient temperature: 104°F (40°C)



#### Features

- Safety: Passed over voltage, over-current, over-heat, over-load and short-circuit proof
- Housing color: Shiny Silver, Snow white, Piano Black
- Instant start, no flickering, no humming sound
- Eco-friendly and no UV/IR
- User-friendly package, convenient for retailing and wholesale



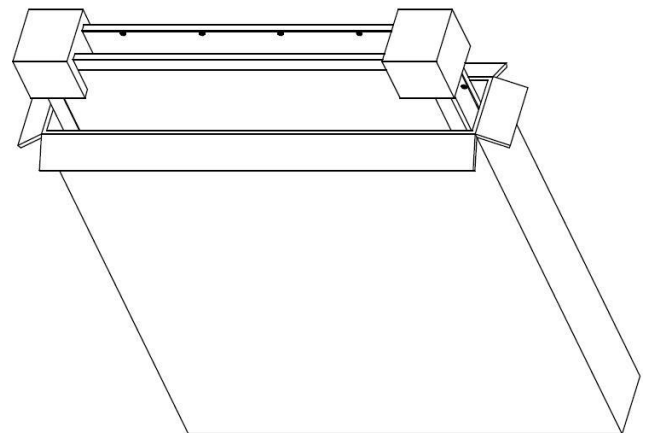
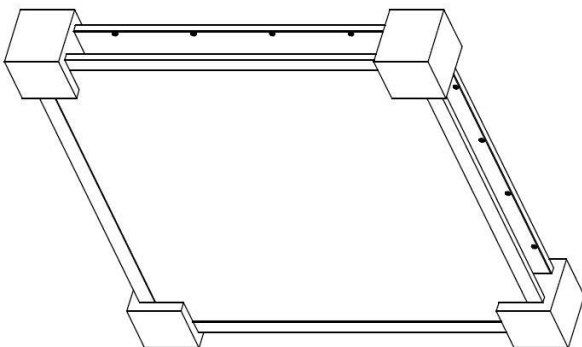
# LED Panel Light Specification

## Technical Specification

Serial	Item	Wattage	Flux	Size (inch)	PF	Efficiency (lm/w)	CRI	CCT
LED Panel Light	GL-PL2x2-40WX	40W	5000lm	23 ¾*23 ¾	0.90	125	>80	4000K /5000K
	GL-PL2x4-50WX	50W	6250lm	23 ¾*47 ¾				
Driver: External Dimmable Driver				Material: Aluminum				
LEDs: 2835 SMD				Input Voltage: AC100-277V/50-60Hz				

## Packing

Item	Master Carton Package			QTY of Container					
	QTY	Size (inch)	G. Weight	20'FT	20'FT With Pallet	40'GP	40'GP With Pallet	40'HQ	40'HQ With Pallet
GL-PL22	2pcs	25.79*3.94*25.59	14.33lb	1350pcs	992pcs	2700pcs	2232pcs	3168pcs	2448pcs
GL-PL24	2pcs	49.41*3.94*25.59	26.00lb	600pcs	496pcs	1350pcs	1116pcs	1584pcs	1224pcs





# LED Panel Light Specification

---

## Using Warning

- Please use the product within the specified range of voltage.
- Please follow the correct installation steps to install the product or ask qualified electrician to install, and do not touch it when working.
- Do not look directly at LED light source for a long time.

## Warranty Terms

5 years warranty replacement from date of purchase is offered for LED Panel Lights from GL.

- Please provide the proof or pictures of faulty product during warranty period, and return the faulty products with the receipt.
- Any warranty claim for replacement from the date of purchase is only valid if used correctly.