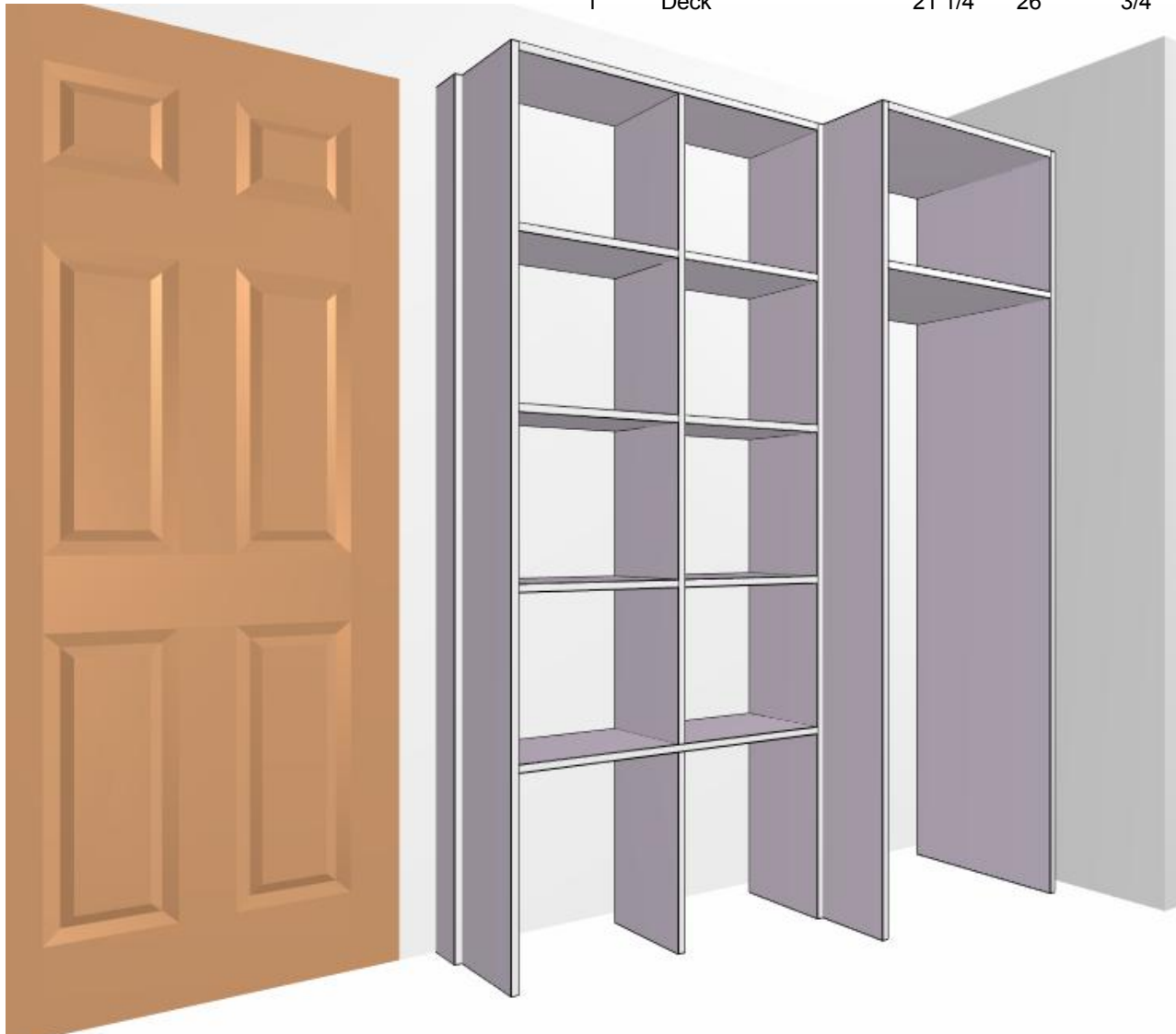


Qty	Name	Width	Length	Thick	Material
1	Unfinished Left End	12	85 1/2	3/4	3/4 2s Melamine
1	Unfinished Right End	12	85 1/2	3/4	3/4 2s Melamine
1	Top	12	35 1/2	3/4	3/4 2s Melamine
1	Deck	12	35 1/2	3/4	3/4 2s Melamine
1	Board	12	19 7/8	3/4	3/4 2s Melamine
1	Board	4 1/2	85 1/2	3/4	3/4 2s Melamine
1	Partition	12	64 1/8	3/4	3/4 2s Melamine
6	Fixed Shelf	12	17 3/8	3/4	3/4 2s Melamine

Qty	Name	Width	Length	Thick	Material
1	Unfinished Left End	21 1/4	85 1/2	3/4	3/4 2s Melamine
1	Unfinished Right End	21 1/4	85 1/2	3/4	3/4 2s Melamine
1	Top	21 1/4	26	3/4	3/4 2s Melamine
1	Deck	21 1/4	26	3/4	3/4 2s Melamine



**Wise Marine**  
 PO Box 1025  
 Essex, MA 01929  
 TELEPHONE: 978-768-0161  
 FAX: 978-768-0161

PROJECT:

**Mudroom Shelves**

SHEET TITLE:

**3D with cut lists**

Job No.:

**Beau's Mudroom**

Drawn By:

**THP**

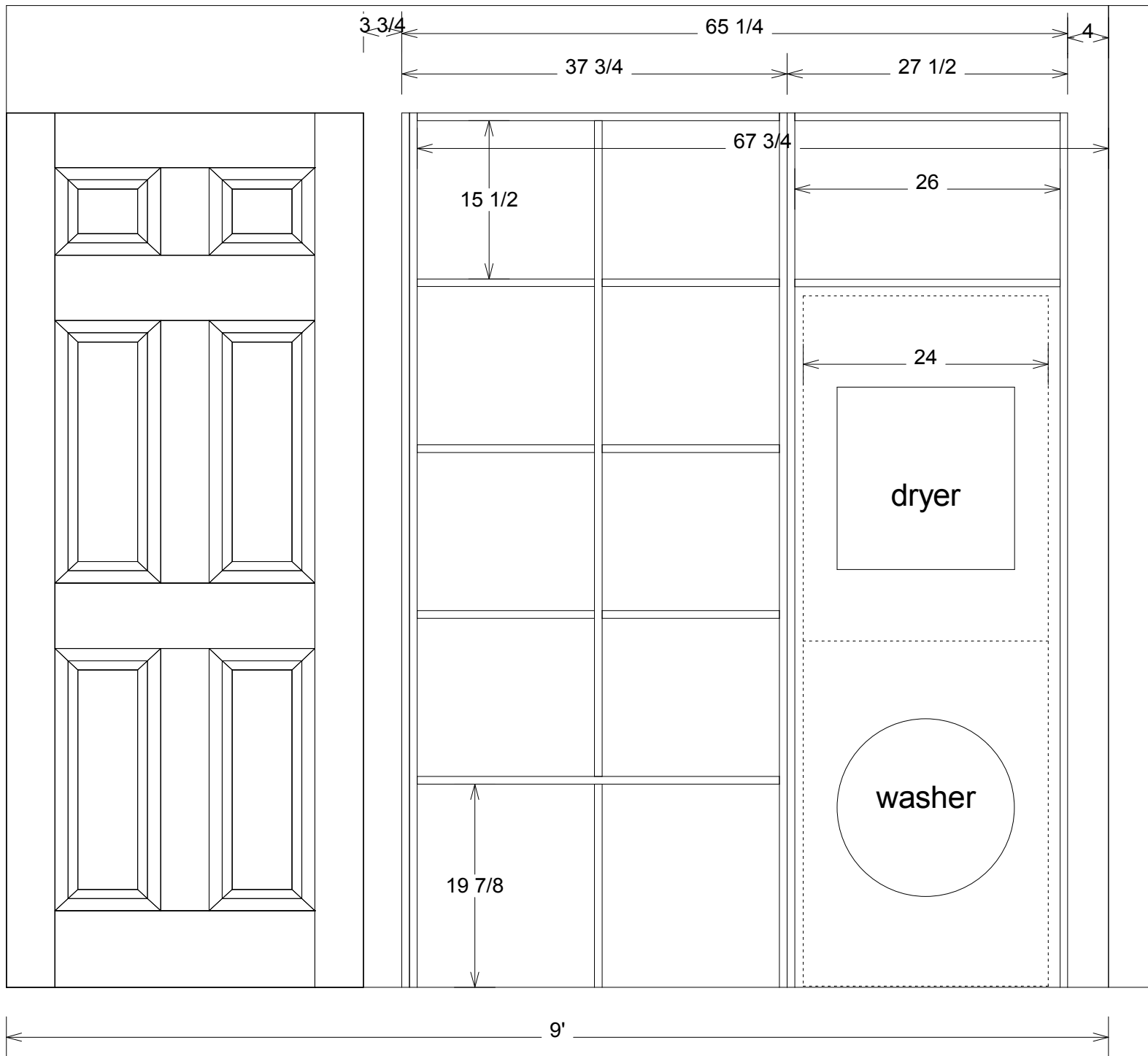
Date:

**11/21/16**

Scale:

Sheet No.:

**1**

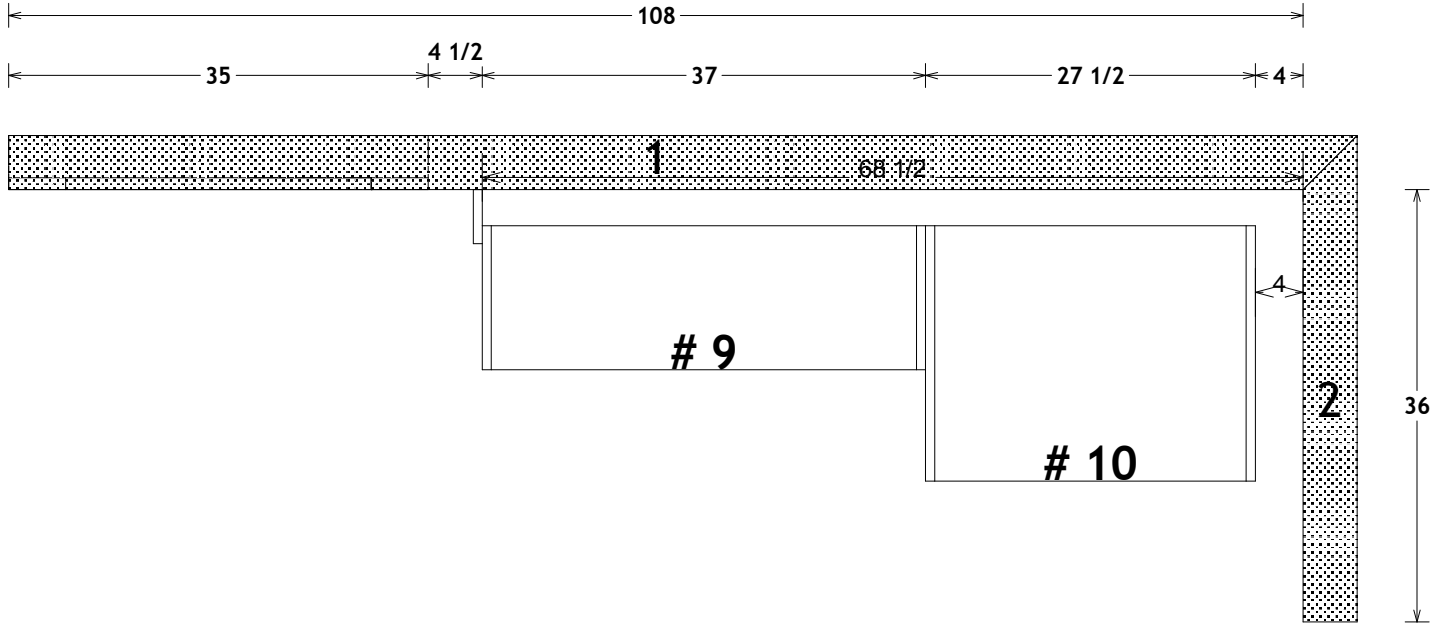


**Wise Marine**  
 PO Box 1025  
 Essex, MA 01929  
 TELEPHONE: 978-768-0161  
 FAX: 978-768-0161

PROJECT:  
**Mudroom Shelves**  
 SHEET TITLE:  
**Sheet 2**

Job No.:  
**Beau's Mudroom**  
 Drawn By:  
**THP**  
 Date:  
**11/21/16**  
 Scale:  
**7/8" = 1'**

Sheet No.:  
**2**



**Wise Marine**  
 PO Box 1025  
 Essex, MA 01929  
 TELEPHONE: 978-768-0161  
 FAX: 978-768-0161

PROJECT:  
**Mudroom Shelves**

SHEET TITLE:  
**Sheet 3**

Job No.:  
**Beau's Mudroom**

Drawn By:  
**THP**

Date:  
**11/21/16**

Scale:  
**3/4" = 1'**

Sheet No.:  
**3**



