



DEEP ROOF LIGHTING INC.
55 Sea Cliff Avenue, Glen Cove, NY 11542
P.O. BOX 520191, FLUSHING, NY 11352
Tel: 516-676-9100, 9101, 9103, 9105, 9106
Fax: 516-676-9109

[Web Site: www.deeprooflighting.com](http://www.deeprooflighting.com)
[Email: deeproof@aol.com](mailto:deeproof@aol.com) cs@deeprooflighting.com

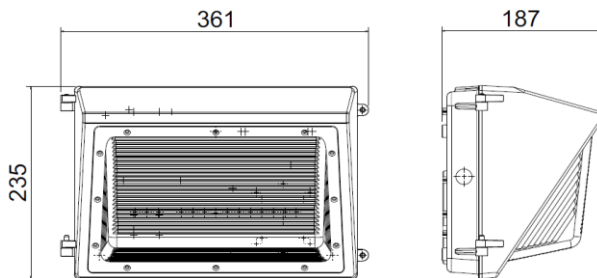
LED Wall Pack Lights ----- ETL DLC

Semi Cutoff **LWSC-**

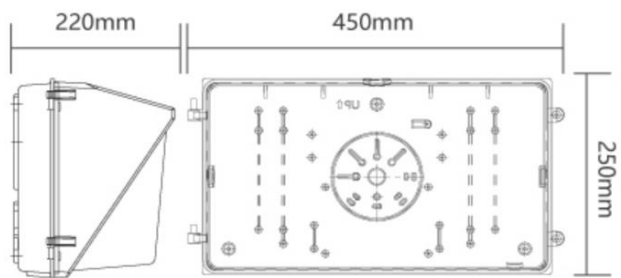


- Die cast Aluminum Enamel coated
- PC lenses
- Input A1: 100 - 277 VAC 50/60 Hz
- Input A2: 347 - 480 VAC 50/60 Hz
- Up to 120 Lumen/watt
- PF > 0.95
- Environ temp -40 ~ +60 ° C
- Outdoor rated IP65
- 5 years warranty
- Daylight harvest photo sensor optional

40W 80W 120W cut sheet



150W cut sheet



ITEM CODES

LWSC-V40-A30-(A1/A2)	Semi cutoff, 40W, 2700-3000K, 4800 lumen, A1/A2 input
LWSC-V80-A30-(A1/A2)	Semi cutoff, 80W, 2700-3000K, 9600 lumen, A1/A2 input
LWSC-V120-A30-(A1/A2)	Semi cutoff, 120W, 2700-3000K, 14400 lumen, A1/A2 input
LWSC-V150-A30-(A1/A2)	Semi cutoff, 150W, 2700-3000K, 18000 lumen, A1/A2 input
LWSC-V40-A50-(A1/A2)	Semi cutoff, 40W, 5000-5500K, 4800 lumen, A1/A2 input
LWSC-V80-A50-(A1/A2)	Semi cutoff, 80W, 5000-5500K, 9600 lumen, A1/A2 input
LWSC-V120-A50-(A1/A2)	Semi cutoff, 120W, 5000-5500K, 14400 lumen, A1/A2 input
LWSC-V150-A50-(A1/A2)	Semi cutoff, 150W, 5000-5500K, 18000 lumen, A1/A2 input

- Daylight harvest photo sensor: Append -DS to the item code
Item code - LWP-V-DS



LWSC-VS



Optional Glare Hood (40W, 80W, 120W Only)



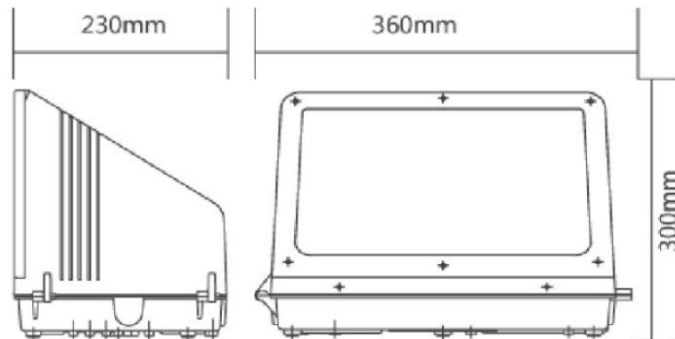
Complete Cutoff LWCC-



- Die cast Aluminum Enamel coated
- PC lenses
- Input A1: 100 - 277 VAC 50/60 Hz
- Input A2: 347 - 480 VAC 50/60 Hz
- Up to 130 Lumen/watt
- PF > 0.95
- Environ temp -40 ~ +60 ° C
- Outdoor rated IP65
- 5 years warranty
- Daylight harvest photo sensor optional

Dimension cut:

- 40W
- 80W
- 120W
- 150W



ITEM CODES

- LWCC-V40-A30-(A1/A2)
- LWCC-V80-A30-(A1/A2)
- LWCC-V120-A30-(A1/A2)
- LWCC-V150-A30-(A1/A2)
- LWCC-V40-A50-(A1/A2)
- LWCC-V80-A50-(A1/A2)
- LWCC-V120-A50-(A1/A2)
- LWCC-V150-A50-(A1/A2)

- Comp cutoff, 40W, 2700-3000K, 5200 lumen, A1/A2 input
- Comp cutoff, 80W, 2700-3000K, 10400 lumen, A1/A2 input
- Comp cutoff, 120W, 2700-3000K, 15600 lumen, A1/A2 input
- Comp cutoff, 150W, 2700-3000K, 19500 lumen, A1/A2 input
- Comp cutoff, 40W, 5000-5500K, 5200 lumen, A1/A2 input
- Comp cutoff, 80W, 5000-5500K, 10400 lumen, A1/A2 input
- Comp cutoff, 120W, 5000-5500K, 15600 lumen, A1/A2 input
- Comp cutoff, 150W, 5000-5500K, 19500 lumen, A1/A2 input

- Daylight harvest photo sensor: Append -DS to the item code
Item code - LWP-V-DS



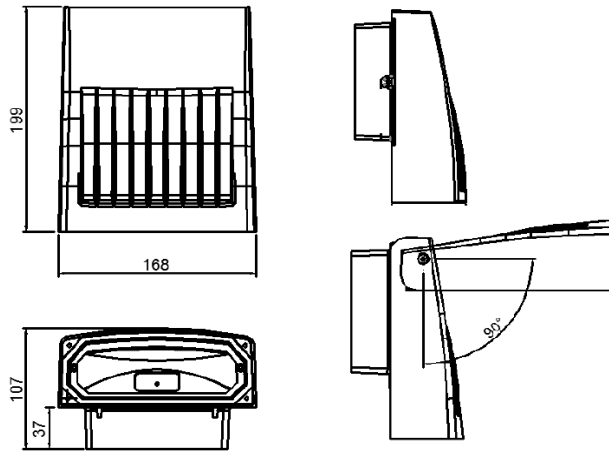
Complete Cutoff Flip Fold LWCF-



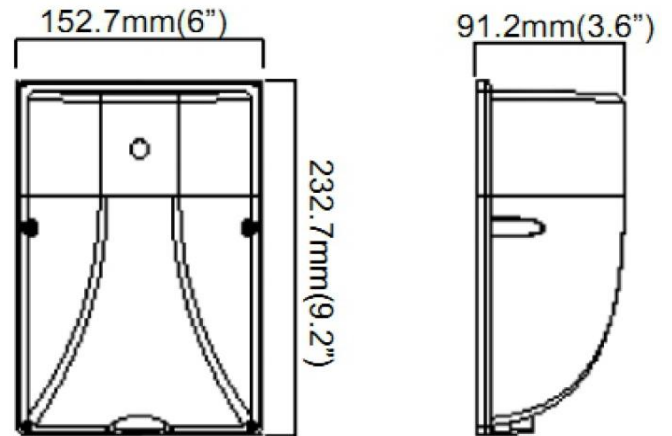
Half Cutoff Mini LWHM-



25W 36W Dimension cut



18W 25W Dimension cut



ITEM CODES

- LWCF-V25-A30-A1
- LWCF-V36-A30-A1
- LWCF-V25-A50-A1
- LWCF-V36-A50-A1

- Comp cutoff Flip Fold, 25W, 2700-3000K, 3000 lumen, A1 input
- Comp cutoff Flip Fold, 36W, 2700-3000K, 4320 lumen, A1 input
- Comp cutoff Flip Fold, 25W, 5000-5500K, 3000 lumen, A1 input
- Comp cutoff Flip Fold, 36W, 5000-5500K, 4320 lumen, A1 input

- Daylight harvest photo sensor: Append -DS to the item code
Item code - LWP-V-DS



- LWHM-V18-A30-A1
- LWHM-V25-A30-A1
- LWHM-V18-A50-A1
- LWHM-V25-A50-A1

- Half cutoff Mini, 18W, 2700-3000K, 2160 lumen, A1 input
- Half cutoff Mini, 25W, 2700-3000K, 3000 lumen, A1 input
- Half cutoff Mini, 18W, 5000-5500K, 2160 lumen, A1 input
- Half cutoff Mini, 25W, 5000-5500K, 3000 lumen, A1 input

- Daylight harvest photo sensor associated