



DEEP ROOF LIGHTING INC.

P.O. BOX 520191, FLUSHING, NY 11352

Tel: 718-243-9388, 718-243-1185, 718-243-1188, 718-637-6061

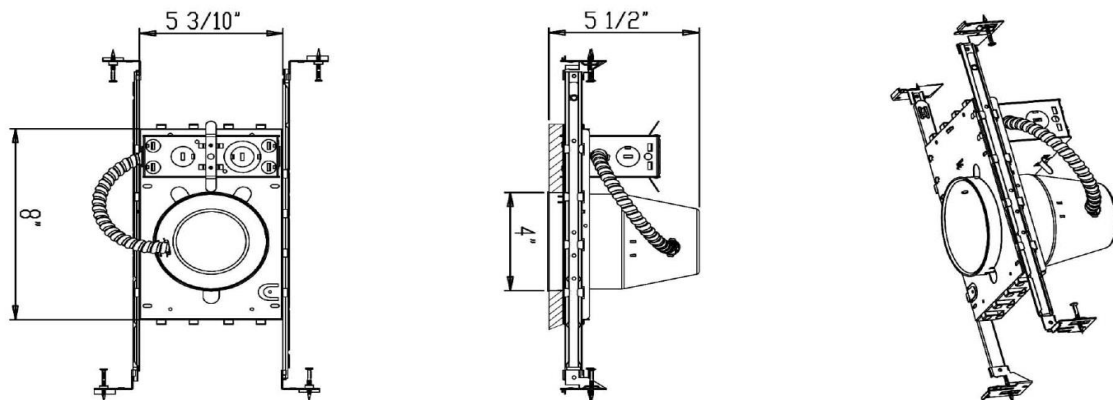
Fax: 718-243-9403, 718-321-1676

Web Site: www.deeprooflighting.com

Email: deeproof@aol.com deeproof@verizon.net deeprooffg@gmail.com

DN-04-GU: 4" Line Voltage, New Construction, Non-IC.

**Lamp: GU10 Base MR16 LED 5,6,7 watts, Halogen 120V 50W MAX
Height: 5-1/2"**



The DN-04-GU is designed for use in non-insulated ceiling or for insulated ceiling but insulation must be kept 3" from all sides of the housing.

Plaster Frame

Galvanized steel construction. The housing can be removed from plaster frame to provide access to the junction box.

Junction Box

Listed for through branch circuit wiring.
Contains six 7/8" knockouts.

Bar Hanger

Pre-installed Real nail easily installs in regular lumber, engineered lumber
Bar hangers are adjustable from 13-5/8" to 25" and can be repositioned 90 degree on plaster frame.

Hangers fit onto T-Bar spline for quick alignment, can be permanently secured with optional T-Bar clip.

Thermal Protector

Self resetting thermal protector deactivates fixture if overheating occurs due to improper lamping or misapplied insulation.

Listings

UL ETL Listed damp location