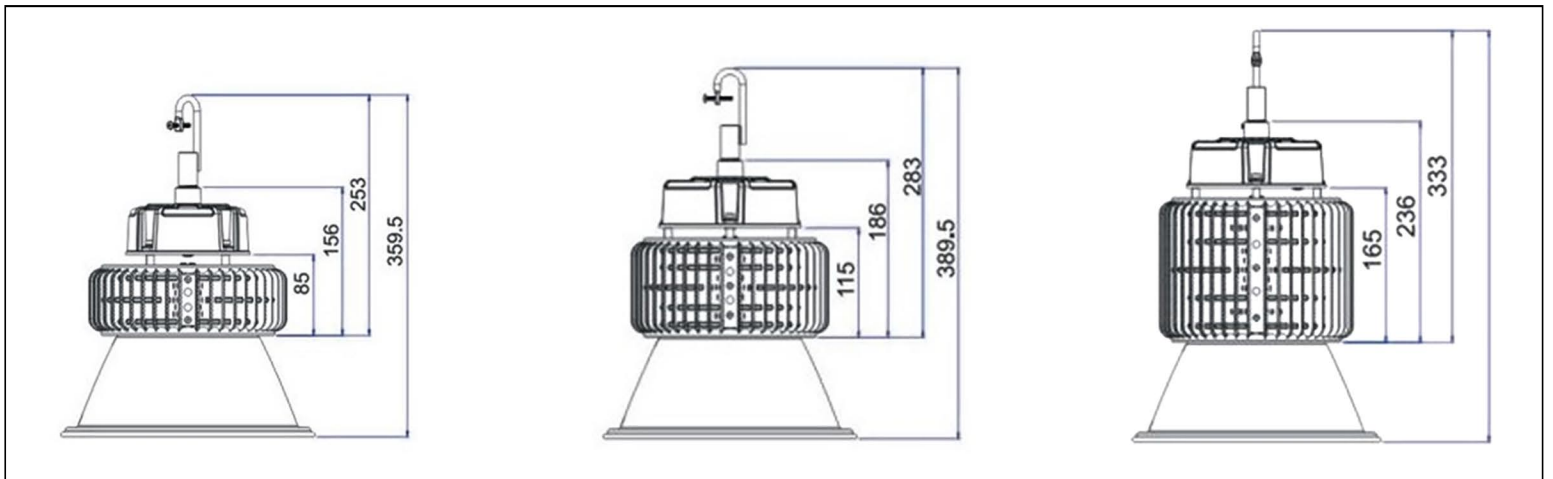


LED High Bay Spot U-Series - UL DLC



Item Codes

Lumen output : 130 lumen/watt Input : 90-277 VAC

| | |
|--------------------------|--|
| LHB-U100-A30-(25/60/100) | 100 W, 3000K, Reflector 25° or 60° or 100°, 415X415X230 mm |
| LHB-U100-A50-(25/60/100) | 100 W, 5000K, Reflector 25° or 60° or 100°, 415X415X230 mm |
| LHB-U150-A30-(25/60/100) | 150 W, 3000K, Reflector 25° or 60° or 100°, 415X415X260 mm |
| LHB-U150-A50-(25/60/100) | 150 W, 5000K, Reflector 25° or 60° or 100°, 415X415X260 mm |
| LHB-U200-A30-(25/60/100) | 200 W, 3000K, Reflector 25° or 60° or 100°, 415X415X360 mm |
| LHB-U200-A50-(25/60/100) | 200 W, 5000K, Reflector 25° or 60° or 100°, 415X415X360 mm |

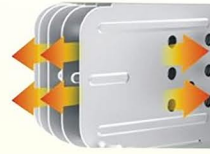
High Efficiency Aluminum Reflectors



25°



25°



- Anti Glare
- Efficient illumination distribution
- Brightness scope is Evenly space

UGR < 19



60°



60°



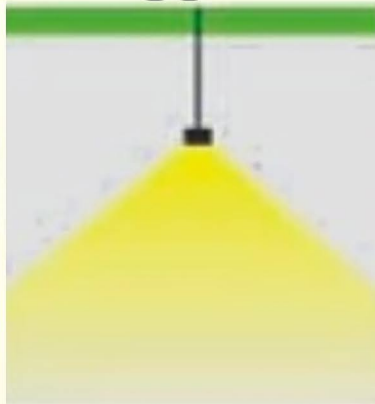
Easy to instal

Esay to instal and convinient for maintenance.

Buckle design to fix reflector on High bay box.
Buckle replace screw



100°



100°



Only 3 steps is easy installation or remove

