

7.12 Learning Opportunity



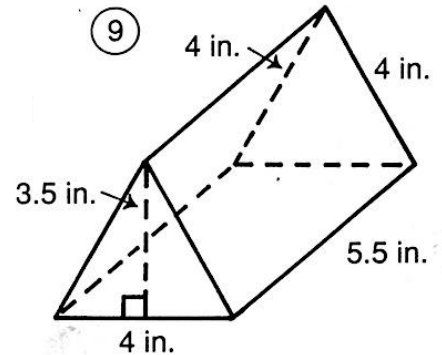
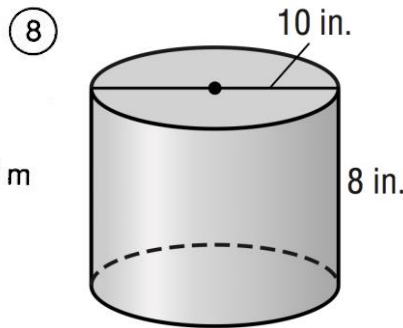
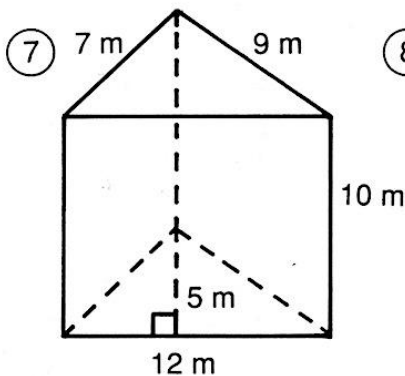
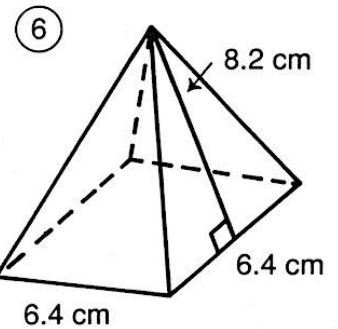
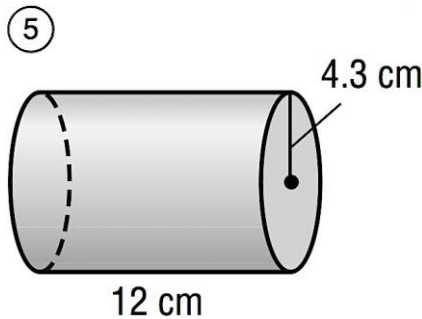
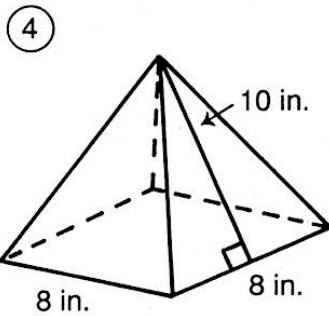
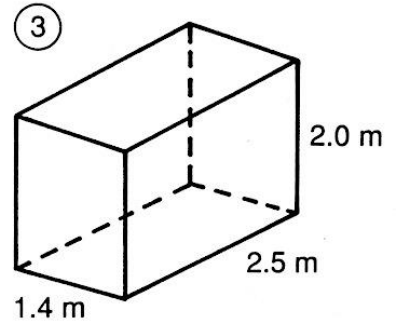
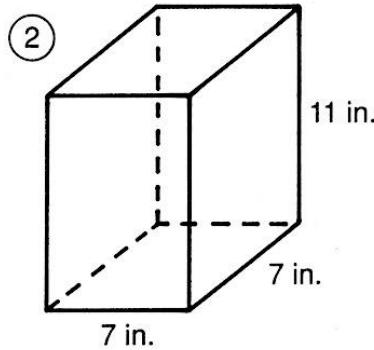
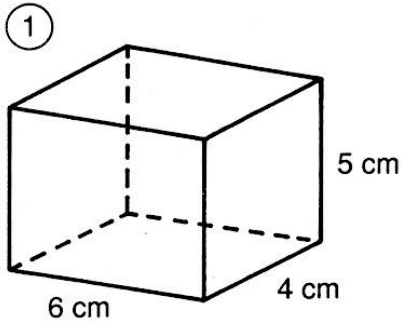
Name: _____

Surface Area of Prisms, Pyramids, and Cylinders

Find the surface area of each figure. Cross out the box containing each correct answer. When you finish, write the remaining letters in the spaces at the bottom of the page to answer the riddle:

What is cold and comes in cans?

Area Formulas: Triangle Area = $\frac{1}{2}bh$ Parallelogram Area = bh Trapezoid area = $\frac{1}{2}(b_1+b_2)h$
 Circumference = πd Circle Area = πr^2 $\pi \approx 3.14$ for rough estimates: $\pi \approx 3$
 Surface Area of a Cylinder = $2\pi rh + 2\pi r^2$



MU	RI	CH	OW	OP	FO	IL
340 m ²	224 in. ²	3,120 mm ²	148 cm ²	80 in. ²	440.2 cm ²	118 in. ²
IB	AR	CL	EA	CA	NS	KE
81.5 cm ²	22.6 m ²	408.2 in. ²	312 m ²	145.92 cm ²	25.8 m ²	406 in. ²

--	--	--	--