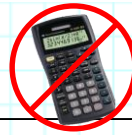


5.12 Learning Opportunity

Name: _____

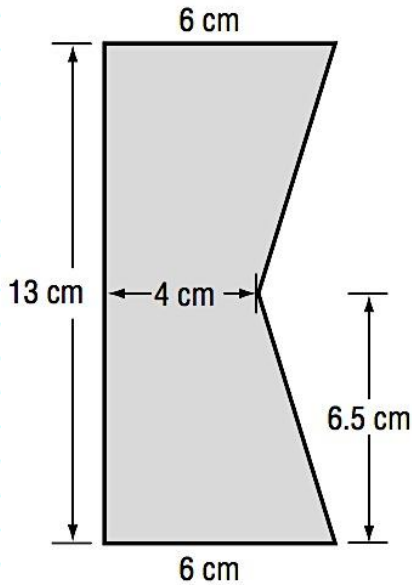


Area of Composite Figures

Formulas: Triangle Area = $\frac{1}{2}bh$ Parallelogram Area = bh Trapezoid area = $\frac{1}{2}(b_1+b_2)h$
Circumference = πd Circle Area = πr^2 $\pi \approx 3.14$ for rough estimates: $\pi \approx 3$

Find the shaded area of each figure. Use 3.14 for π , and round your answer to the nearest tenth when necessary.

1)



2)

