

5A.6 Learning Opportunity

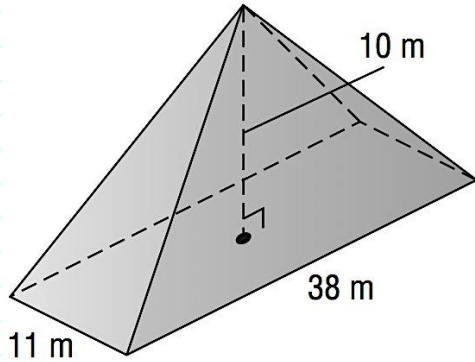
Volume of pyramids and cones



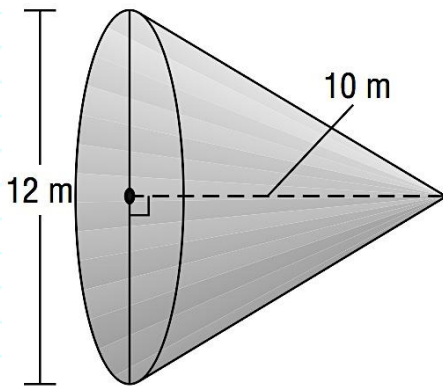
Name: _____

Find the volume of each pyramid or cone shown below. You **must** write the formulas you use, but you may use a calculator for your computations. Don't forget to include the proper units in your answer. (When necessary, use $\pi \approx 3.14$).

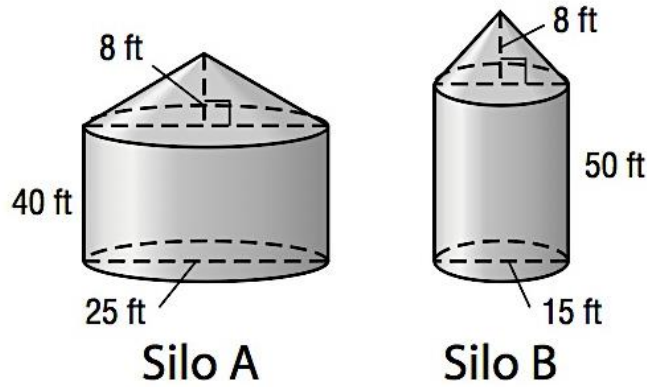
1)



2)



Mr. Backus has just finished his corn harvest. He filled 12 trucks with corn and needs to move the corn to one of the two silos on his farm. Each truck bed is shaped like a rectangular prism having dimensions 10 feet wide, 20 feet long, and 6 feet tall. Mr. Backus needs to fit all the corn in the same silo. (When necessary, use $\pi \approx 3.14$).



3) How much corn has Mr. Backus harvested?

4) How much corn will each silo hold?

5) Which silo should Mr. Backus put all of his corn in? How many more full truckloads of corn could he store in the larger silo?