

# 7.3 Learning Opportunity

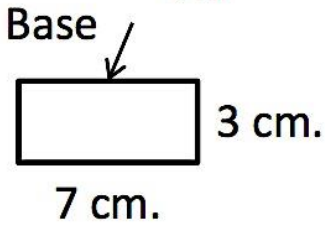
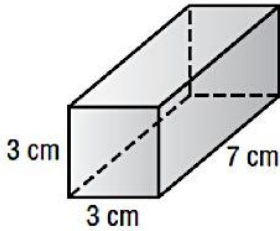
## Volume of prisms



Name: \_\_\_\_\_

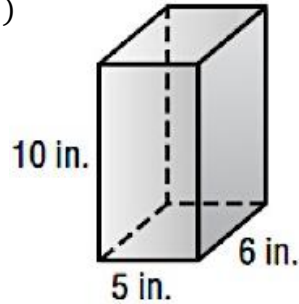
Find the volume of each prism shown below. I have done the first one for you as an example. You **must** write the formulas you use (as shown in my example), but you may use a calculator for your computations. Don't forget to include the proper units in your answer.

1.

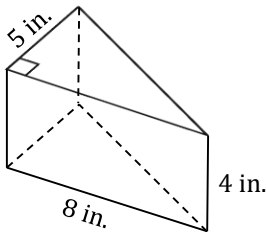


$$\begin{aligned} B &= bh \\ B &= 7 \times 3 \\ B &= 21 \text{ cm}^2 \\ V &= Bh \\ V &= 21 \times 3 \\ V &= 63 \text{ cm}^3 \end{aligned}$$

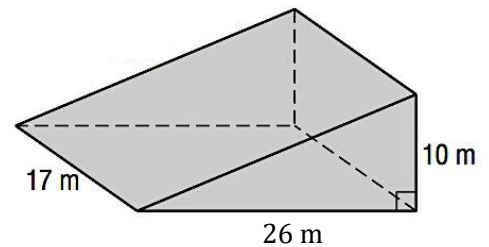
2)



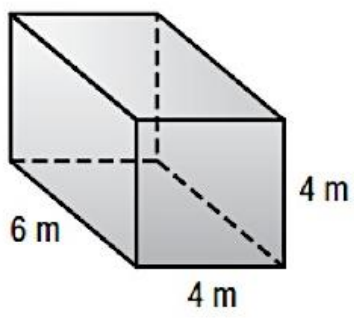
3)



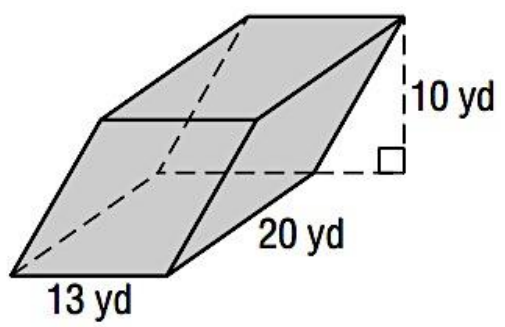
4)



5)



6)



7)

