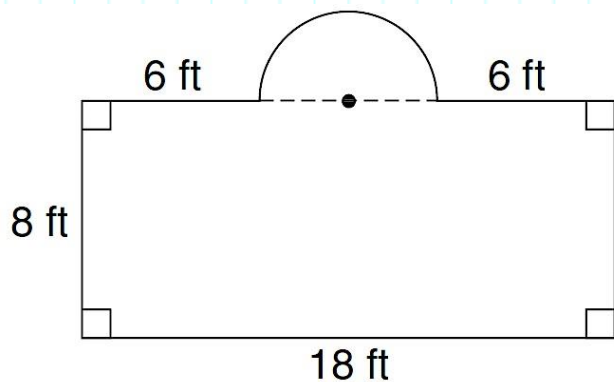
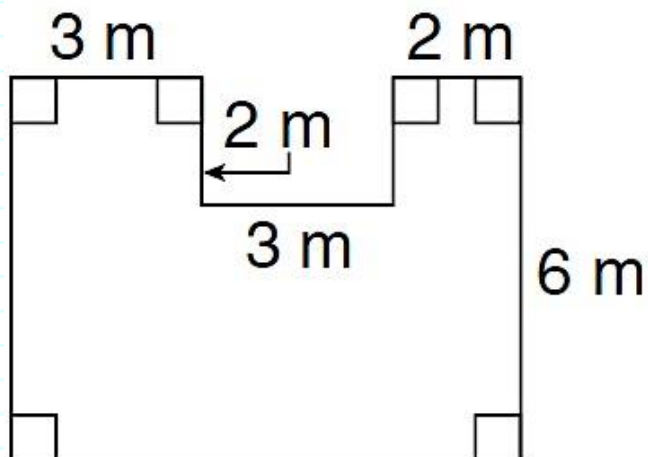


**Measurement: Area and Perimeter Problems**

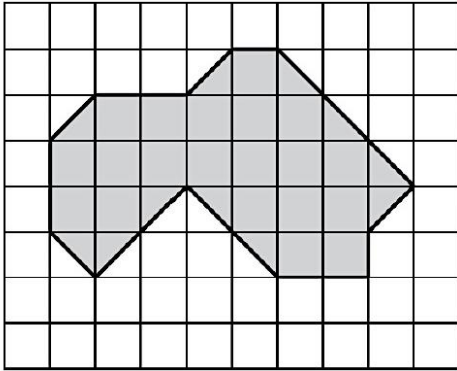
- 1) Calculate the exact area of the figure shown.



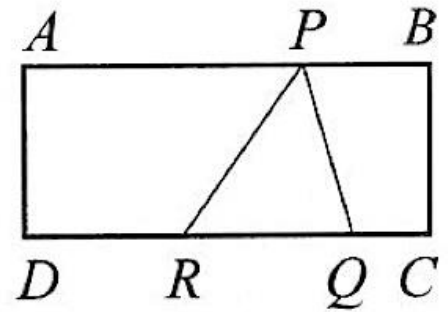
- 2) Calculate the area of the figure shown.



- 3) In the diagram below, one square unit represents 9 square meters. What is the area of the shaded region?



- 4) Triangle  $PQR$  is inscribed in rectangle  $ABCD$ , as shown. The length of  $\overline{RQ}$  is  $\frac{2}{5}$  of the length of  $\overline{DC}$ . The area of triangle  $PQR$  is 6.4 square centimeters. What is the area of rectangle  $ABCD$  in sq cm?



- 5) Calculate the area of the figure shown.

