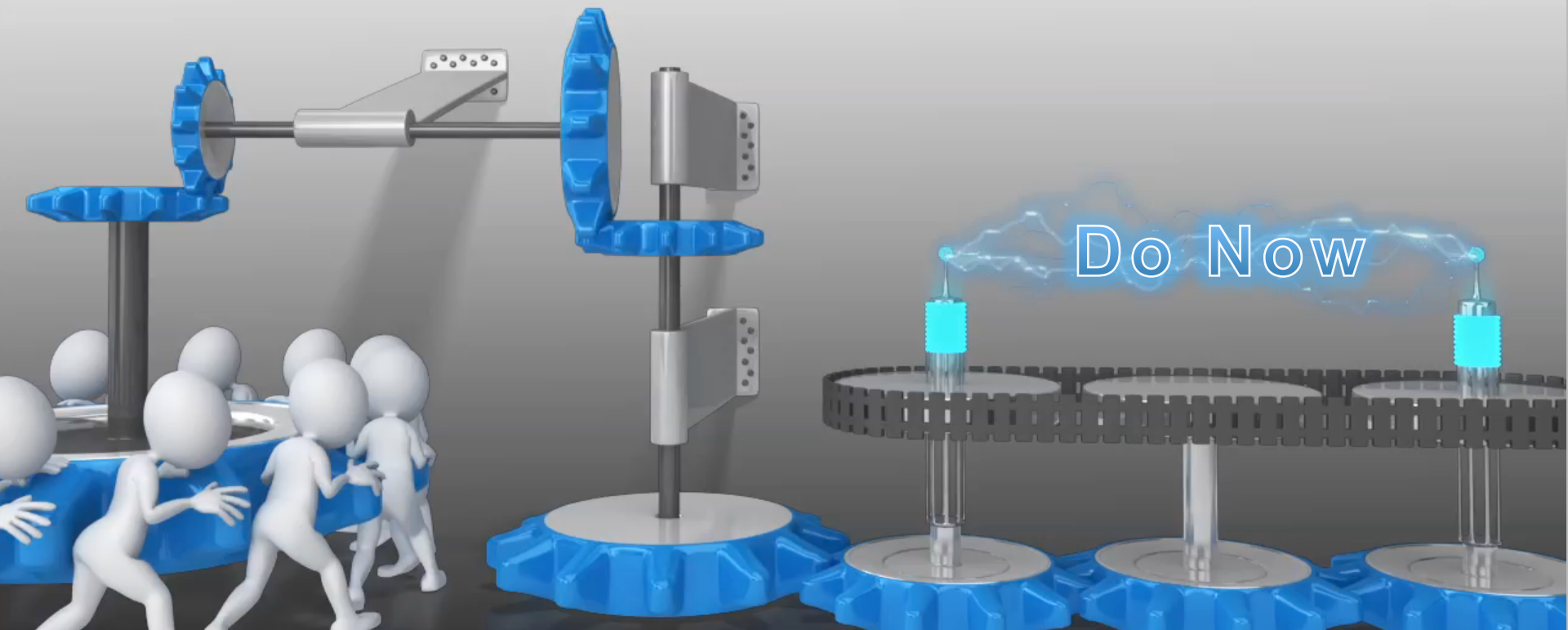


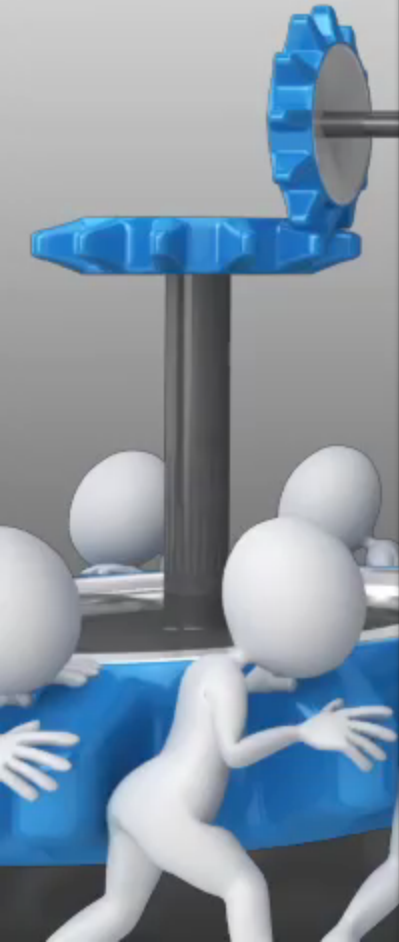
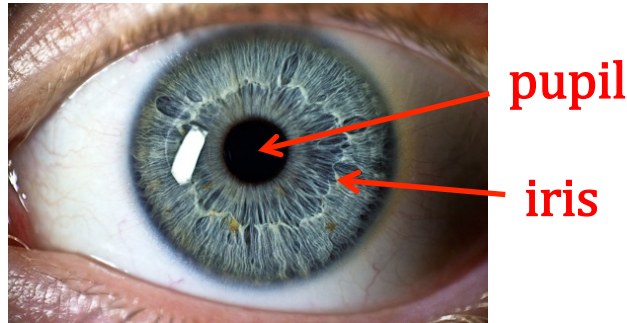
Two Dimensional Measurement: Problem Solving

Please work quietly on your Do Now while I check your homework. Thanks!

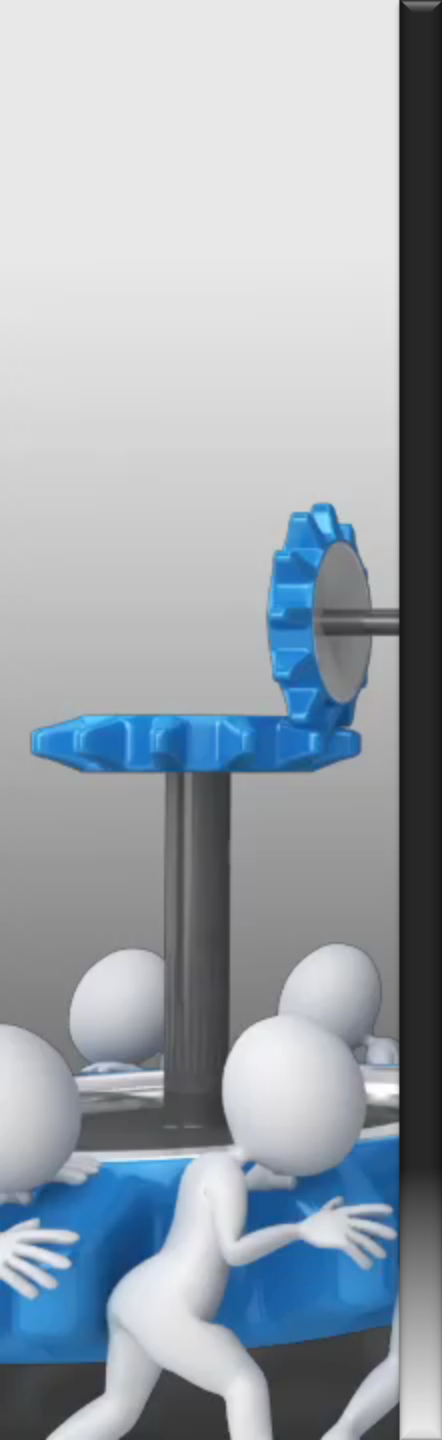
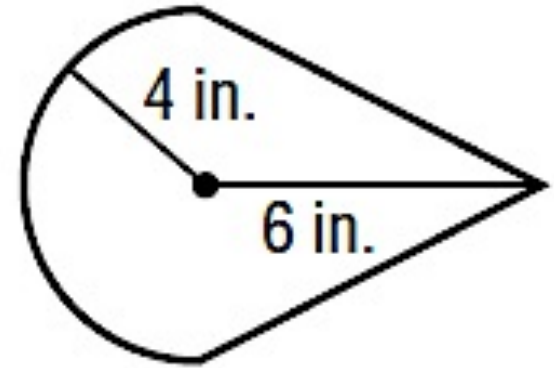


Do Now

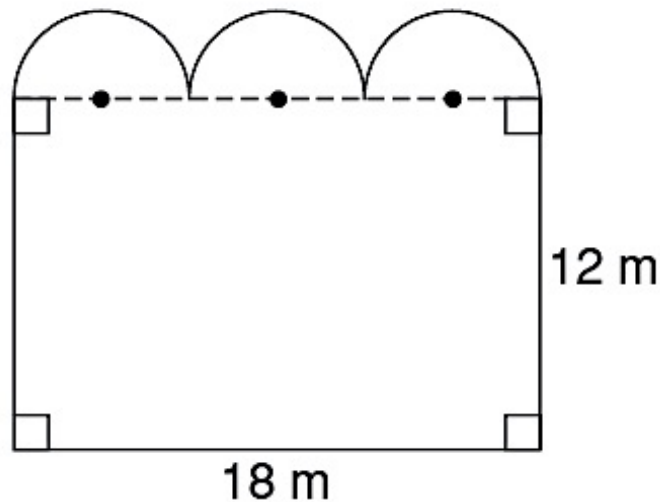
The pupil and iris of a human eye are concentric circles. The circumference of the pupil shown is roughly 9 mm. The diameter of the iris shown is 9 mm greater than that of the pupil. Find a rough estimate (using $\pi \approx 3$) of the circumference of the iris.



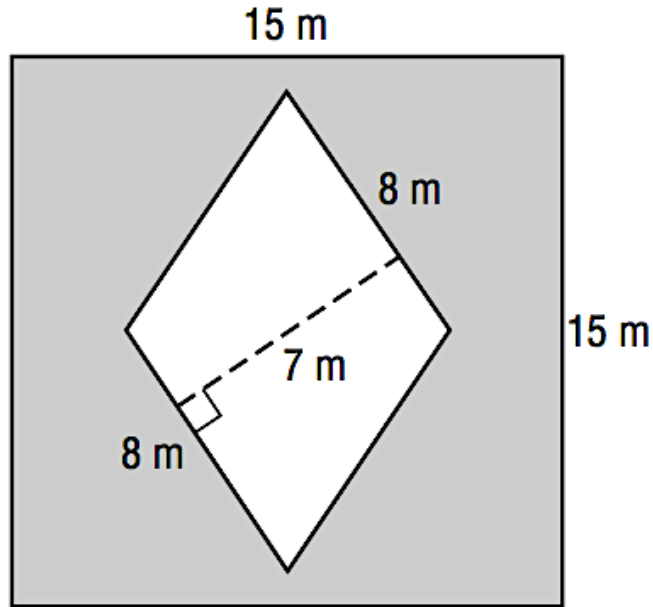
Calculate the area of the figure shown.
(Use 3.14 for π)



The figure shows the dimensions of a room in which wedding receptions are held. The room needs new carpet. The three semi-circular parts of the room are congruent. How much carpet is needed? (use 3.14 for π)



Find the area of the shaded region below.



All of the circles on the target are **concentric** (share the same center). The distance between circles is 2 inches. The area of the red circle is π square inches. What is the area of the blue portion of the target?

