

# 7.8 Learning Opportunity

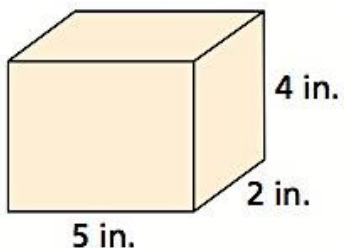
## Surface Area of Prisms



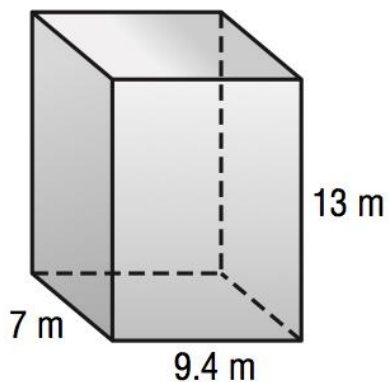
Name: \_\_\_\_\_

Find the surface area of each prism. Round each answer to the nearest whole number. You may use a calculator for your computation as long as you write the formulas you used and substitute the dimensions into those formulas before using the calculator.

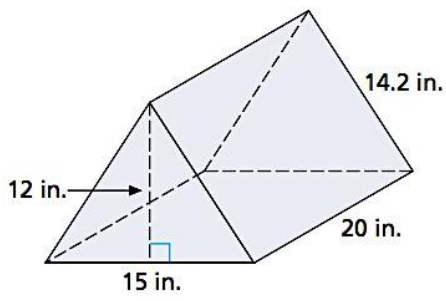
1)



2)



3)



4) Find the total surface area of the hollow concrete casing shown, including the interior surfaces.

