

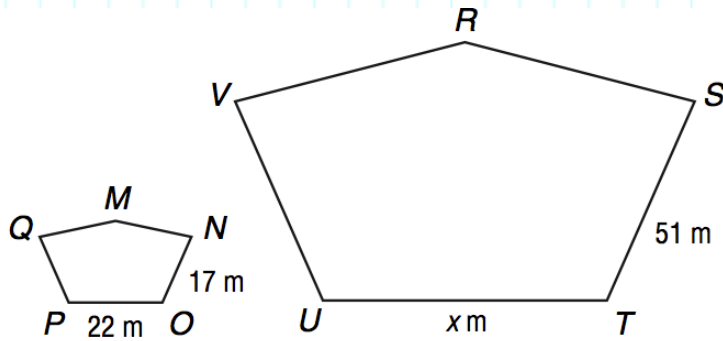
# 6.11 Learning Opportunity

Name: \_\_\_\_\_

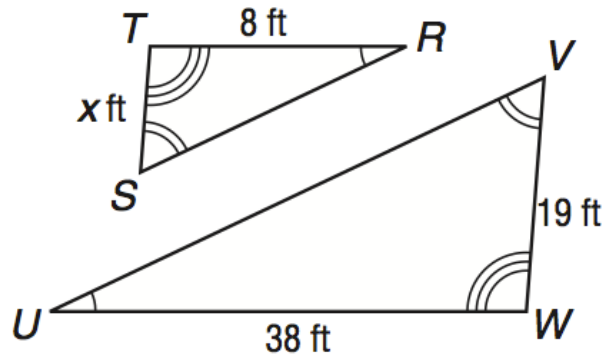


Similarity: Indirect measurement

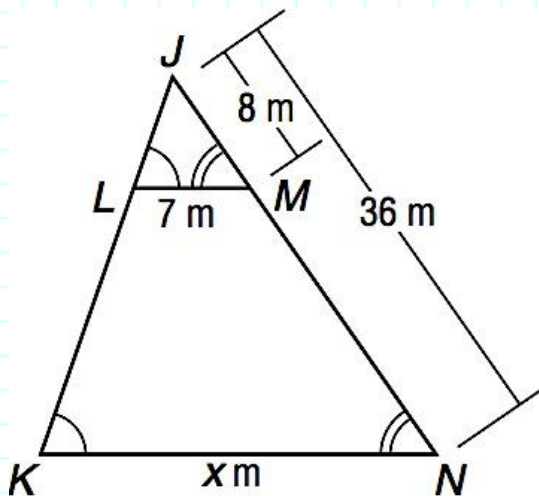
- 1) The polygons below are similar. Find the value of  $x$ .



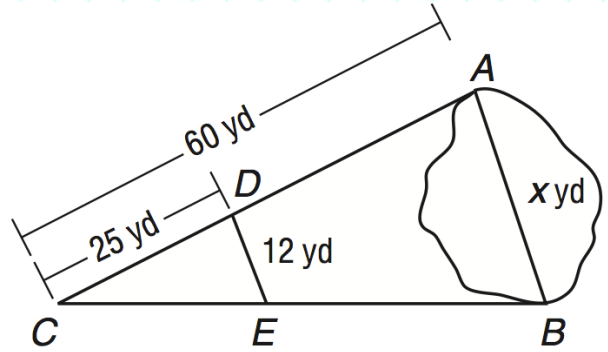
- 1) The polygons below are similar. Find the value of  $x$ .



- 1) The polygons below are similar. Find the value of  $x$ .



- 4) A surveyor needs to find the distance AB across a pond. He constructs  $\triangle CDE$  similar to  $\triangle CAB$  and measures the distances as shown on this figure. Find AB.



- 5) The world's tallest man lived from 1918 to 1940. He cast a 4 foot, 9 ½ inch shadow at the same time of day when a 6 foot pole cast a 3 foot shadow. How tall was he?



- 6) How far is the tree from the flagpole?

