

# 2A.4 Learning Opportunity

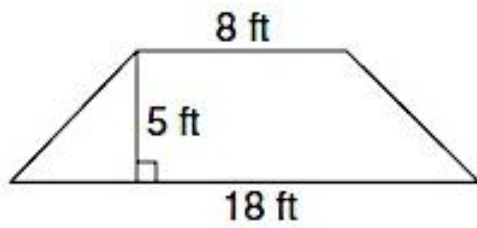
Measurement: Trapezoids



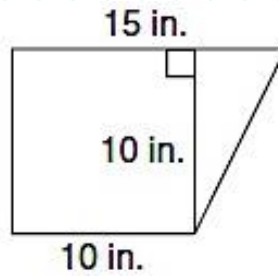
Name: \_\_\_\_\_

Find the area of each trapezoid below:

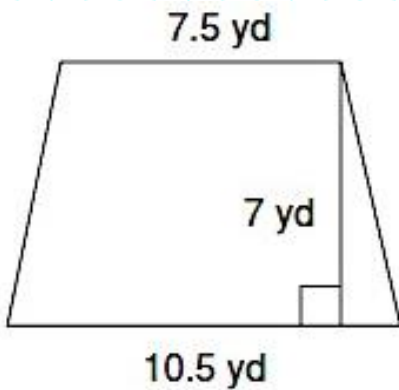
1)



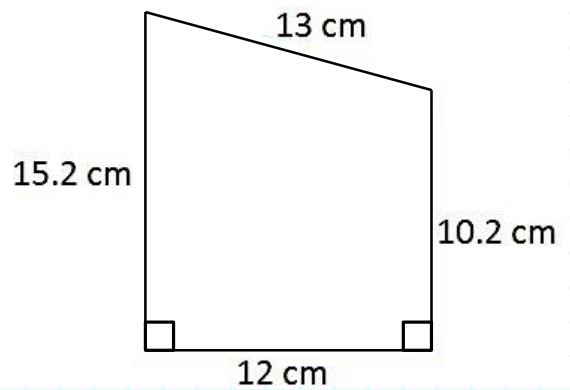
2)



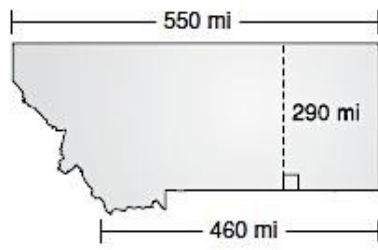
3)



4)



5) The state of Montana is shaped somewhat like a trapezoid. What is the approximate area of Montana?

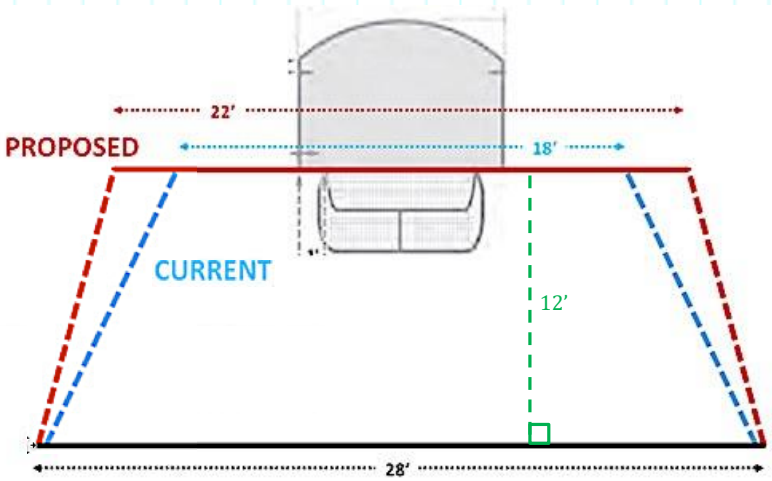


6) The NHL implemented a rule change to increase the size of hockey nets (see pictures below). Use the dimensions given to calculate the increase in trapezoidal area from the current net to the proposed net.

**NHL RULE CHANGES**  
AN ILLUSTRATED GUIDE

**RULE 18** GOALKEEPER'S RESTRICTED AREA

OLD → NEW  
NET SIDE OF TRAPEZOID INCREASED BY FOUR FEET



7) **Critical Thinking:** The large red square shown contains smaller squares A, B, and C. Their areas are 9, 16, and 9 square meters respectively. How many square meters are in the grey trapezoidal shaded region?

