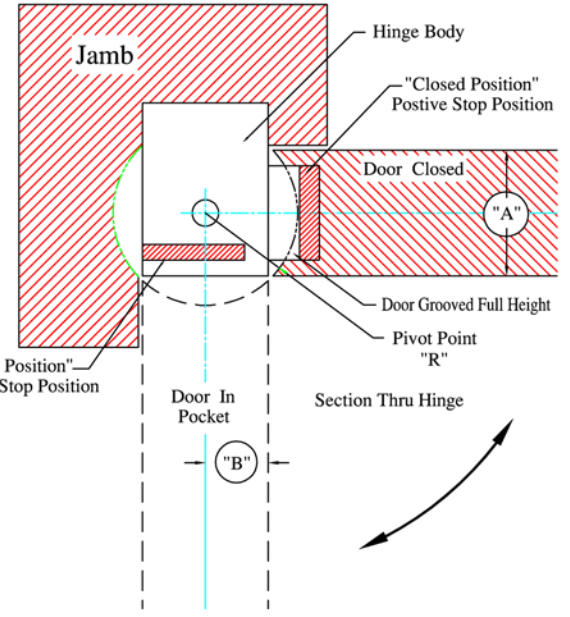


Door Jamb



Dimensions	
Door Size	2.00"
(A)	2.00"
(B)	1.00"
(R)	1.469"



**Concealed Harmon Hinge
Installation Template - 2"
Thk. Door**

ACCURATE Template Harmon Hinge is made to conform to this drawing
Machine Screw Size - 3/4 x 12-24 F.H
Wood Screw Size - 1-1/4 x 12 F.H

T-ALH.C.HAR.200