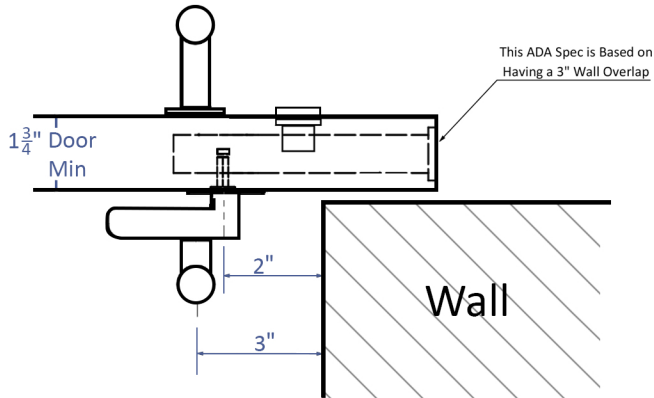
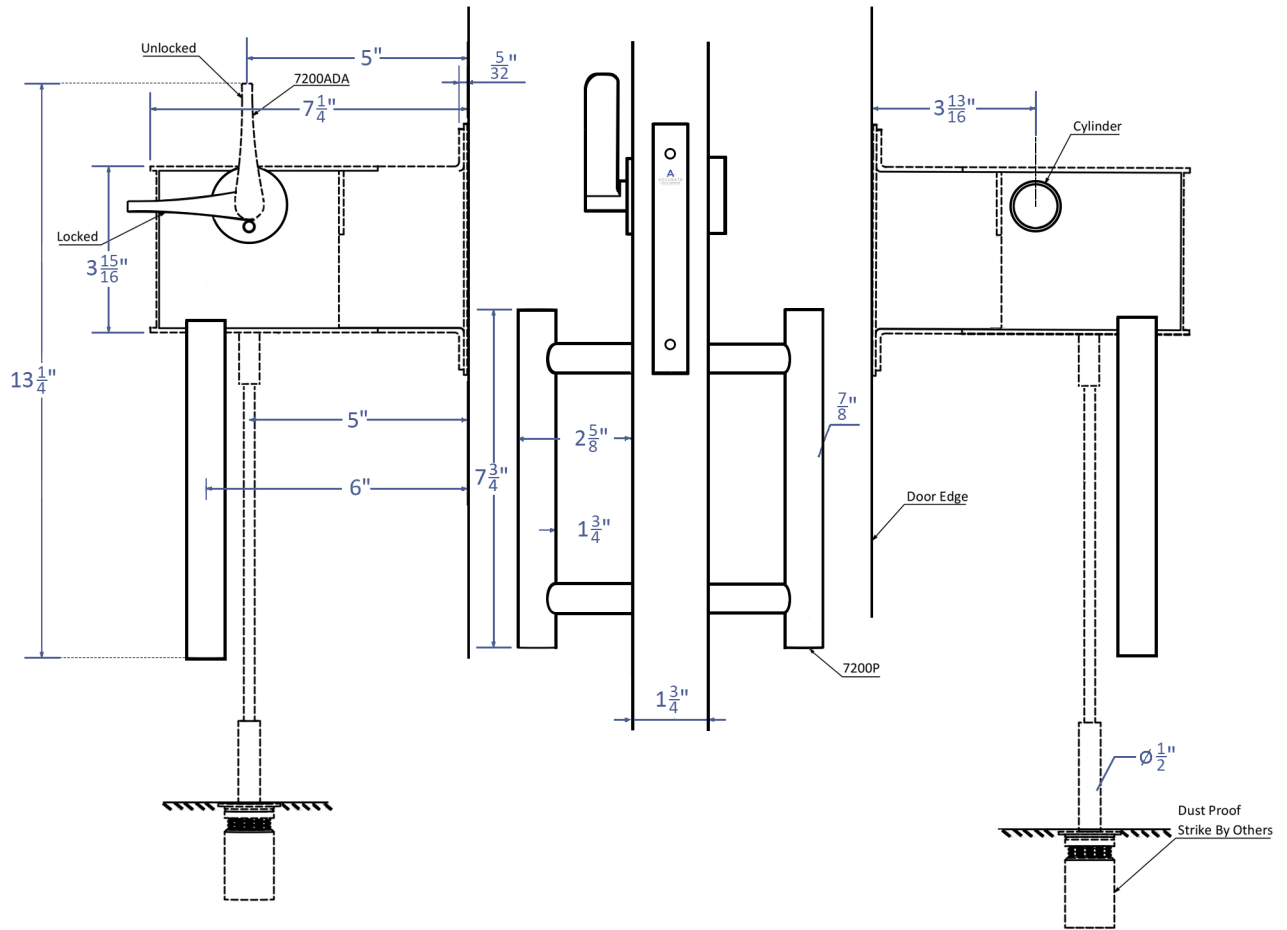


OUTSIDE

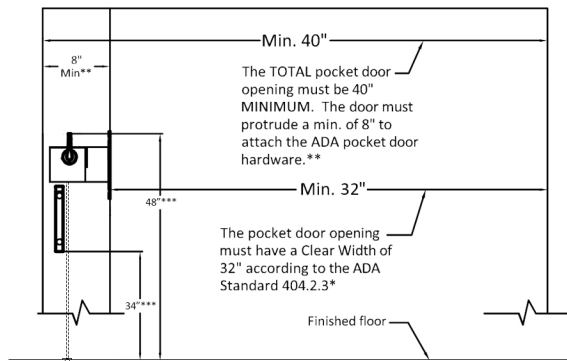


INSIDE

RH
Shown



Inside of RH Shown



* The ADA Standard 404.2.3* is from the Dept of Justice ADA Publication of Sept 15, 2010. Accurate Lock and Hardware Co. LLC recommends verification of all State and Federal standards applicable for a particular project.

** The total opening has to be 8" (min.) greater than the Federal "Clear Width" dimension of 32" to work properly

*** The Bottom of the 7200P Pulls must be installed w/ 34" from the finished floor. This will give 48" from the finished floor to top of 7200ADA handle, thus meeting Code 404.2.7.



ADA Vertical Rod Lock
Spec for Barn Doors

Spec.ADA.9500VRB-3